



SUB*ZERO

MODEL ID-24RO DESIGN GUIDE

REVISED 1/2017

TABLE OF CONTENTS

3	OUTDOOR REFRIGERATOR DRAWERS
4	OVERALL DIMENSIONS
5	OPENING DIMENSIONS
6	ELECTRICAL
6	PANELS
7	SUB-ZERO WARRANTY



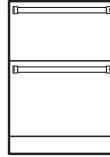
Features and specifications are subject to change at any time without notice. Visit subzero.com/specs for the most up-to-date information.

Throughout this guide, dimensions may vary by $\pm 1/8"$ (3). Dimensions in parentheses are millimeters unless otherwise specified.

Outdoor Refrigerator Drawers

There's more to a luxury outdoor kitchen than the grill. With the Sub-Zero 24" outdoor refrigerator drawers, fresh food is within reach. Our new outdoor drawers have advanced food preservation features, along with weather-resistant stainless steel construction and pro handles that coordinate beautifully with Wolf outdoor grills.

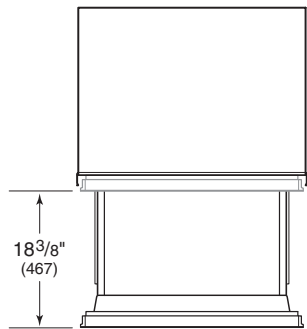
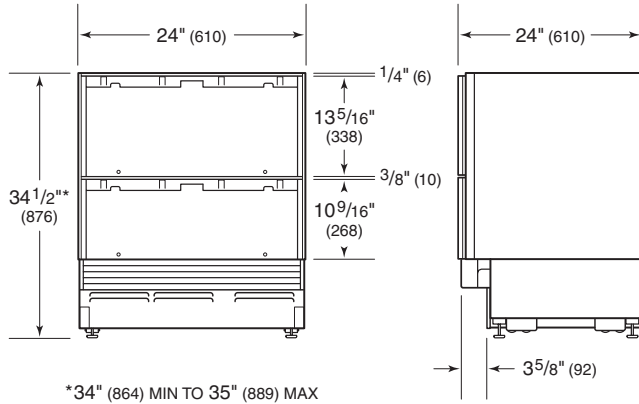
REFRIGERATOR DRAWERS



ID-24RO

Overall Dimensions

DRAWERS



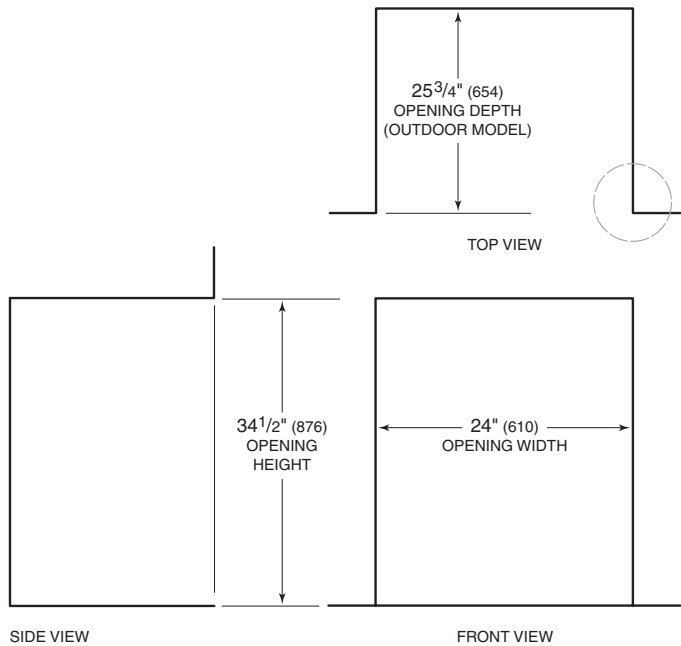
IMPORTANT NOTE: Overall dimensions do not include panels or handles. Dimensions will vary with panel thickness.

Specifications

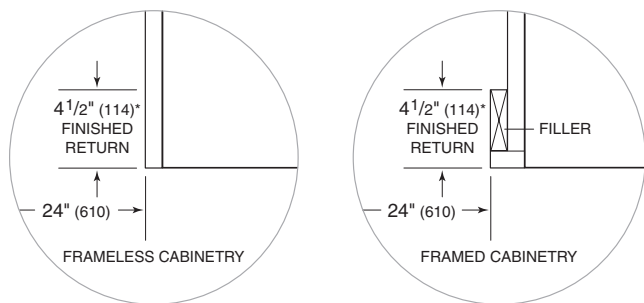
INTERIOR CAPACITY	CU FT (L)
Model ID-24RO	4.0 (113)
SHIPPING WEIGHT	LB (KG)
Model ID-24RO	170 (77)

Opening Dimensions

DRAWERS



*4¹/₂" (114) finished returns will be visible and should be finished to match cabinetry.



The depth of each integrated model is 24" (610). Allow for panel thickness when planning the finished opening depth. For the outdoor model, a minimum 4¹/₂" (114) finished return is required on all sides of the opening. Framed cabinets will require additional finished filler material behind the face frame for a proper installation. Refer to the illustration.

DUAL INSTALLATION

When installing two units side by side in a dual installation, the opening width is the width of the two units added together. A dual installation kit will be required for this installation. If a dual installation kit is not specified, a minimum 2" (51) filler strip is required between units.

Dual installation kits are available through an authorized Sub-Zero dealer. For local dealer information, visit the showrooms and service section of our website, subzero.com. For questions regarding the installation, call Sub-Zero customer care at 800-222-7820.

Electrical

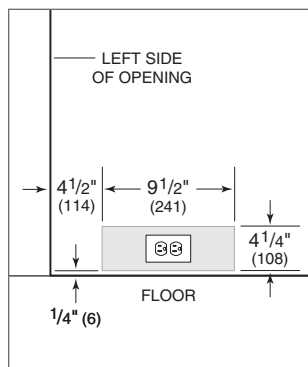
The electrical supply must be located within the shaded area shown in the illustration below. A separate circuit, servicing only this appliance is required. For the outdoor model, a ground fault circuit interrupter (GFCI) is required to reduce the risk of electrical shock.

The electrical outlet must be positioned with the grounding prong to the right of the thinner blades.

Installation must comply with all applicable electrical codes.

ELECTRICAL REQUIREMENTS

Electrical Supply	115 VAC, 60 Hz
Service	15 amp
Receptacle	3-prong grounding-type



Electrical supply location.

Stainless Steel Panels

The outdoor model requires the use of Sub-Zero stainless steel outdoor accessory panels. These panels have pro handles to match Wolf outdoor products and are available with or without a lock through an authorized Sub-Zero dealer. For local dealer information, visit the showrooms and service section of our website, subzero.com.

The thickness of outdoor stainless steel panels is 1 1/2" (38). The depth of each integrated model is 24" (610). Allow for panel thickness when planning the finished opening depth.

Reveals of 1/8" (3) are typical, however, the reveal between the upper and lower outdoor stainless steel panels is 1/4" (6) to accommodate the lock.

Sub-Zero Outdoor Limited Warranty*

FOR RESIDENTIAL USE

FULL ONE YEAR WARRANTY**

For one year from the date of original installation, this Sub-Zero product warranty covers all parts and labor to repair or replace, under normal residential use, any part of the product that proves to be defective in materials or workmanship. All service provided by Sub-Zero under the above warranty must be performed by Sub-Zero factory certified service, unless otherwise specified by Sub-Zero, Inc. Service will be provided during normal business hours.

FULL FIVE YEAR SEALED SYSTEM WARRANTY

For five years from the date of original installation, this Sub-Zero product warranty covers all parts and labor to repair or replace, under normal residential use, these parts that prove to be defective in materials or workmanship: compressor, condenser, evaporator, drier and all connecting tubing. All service provided by Sub-Zero under the above warranty must be performed by Sub-Zero factory certified service, unless otherwise specified by Sub-Zero, Inc. Service will be provided during normal business hours.

TERMS APPLICABLE TO EACH WARRANTY

The warranty applies only to products installed for normal residential use. The warranty applies only to products installed in any one of the fifty states of the United States, the District of Columbia or the ten provinces of Canada. This warranty does not cover any parts or labor to correct any defect caused by negligence, accident or improper use, maintenance, installation, service or repair.

THE REMEDIES DESCRIBED ABOVE FOR EACH WARRANTY ARE THE ONLY ONES THAT SUB-ZERO, INC. WILL PROVIDE, EITHER UNDER THIS WARRANTY OR UNDER ANY WARRANTY ARISING BY OPERATION OF LAW. SUB-ZERO, INC. WILL NOT BE RESPONSIBLE FOR ANY CONSEQUENTIAL OR INCIDENTAL DAMAGES ARISING FROM THE BREACH OF THIS WARRANTY OR ANY OTHER WARRANTY, WHETHER EXPRESS, IMPLIED OR STATUTORY.

Some states do not allow the exclusion or limitation of incidental or consequential damages, so the above limitation or exclusion may not apply to you. This warranty gives you specific legal rights and you may also have other legal rights that vary from state to state.

To receive parts and/or service and the name of Sub-Zero factory certified service nearest you, contact Sub-Zero, Inc., P.O. Box 44848, Madison, WI 53744; check the contact & support section of our website, subzero.com, email us at customerservice@subzero.com or call 800-222-7820.

*Product must be approved for outdoor use, designated by model and serial number.

**Stainless steel (doors, panels, handles, product frames and interior surfaces) are covered by a limited 60-day parts and labor warranty for cosmetic defects.

**Replacement water filters are not covered by the product warranty.





SUBZERO.COM

