

# INSTALLATION GUIDE

Multi-Function Cooktop



## Contents

Wolf Multi-Function Cooktop . . . . .	3
Multi-Function Cooktop Specifications . . . . .	4
Multi-Function Cooktop Installation . . . . .	8
Service Information . . . . .	10

Features and specifications are subject to change at any time without notice. Visit [wolfappliance.com/specs](http://wolfappliance.com/specs) for the most up-to-date information.

**IMPORTANT NOTE:** Throughout this guide, dimensions in parentheses are millimeters unless otherwise specified.

## Important Note

To ensure the safe and efficient use of Wolf equipment, please take note of the following types of highlighted information throughout this guide:

**IMPORTANT NOTE** highlights information that is especially important.

**CAUTION** signals a situation where minor injury or product damage may occur if instructions are not followed.

**WARNING** states a hazard that may cause serious injury or death if precautions are not followed.



## Multi-Function Cooktop Installation

**IMPORTANT NOTE:** Installation of the Wolf gas multi-function cooktop must be completed by a qualified installer.

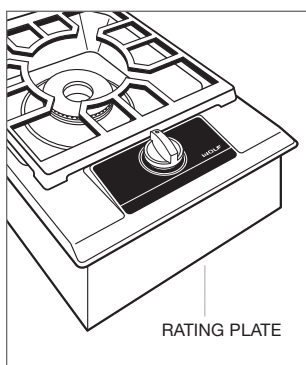
Read this entire installation guide prior to installation and save for the local inspector's reference. The homeowner should keep this installation guide for future reference.

This appliance must be installed in accordance with National Electrical Codes, as well as all state, municipal and local codes. The correct voltage, frequency and amperage must be supplied to the appliance from a dedicated, grounded circuit which is protected by a properly sized circuit breaker or time delay fuse. The proper voltage, frequency and amperage ratings are listed on the product rating plate.

The Wolf multi-function cooktop is manufactured for use with natural gas or LP gas. Check the product rating plate for type of gas.

Record the model and serial numbers before installing the multi-function cooktop. Both numbers are listed on the product rating plate, located on the underside of the module. Refer to the illustration below.

Wolf Multi-Function Cooktop	
Model Number	IM15/S
Serial Number	



Location of rating plate.

## IMPORTANT INSTRUCTIONS

### ⚠ WARNING

If the information in this guide is not followed exactly, a fire or explosion may result, causing property damage, personal injury or death.

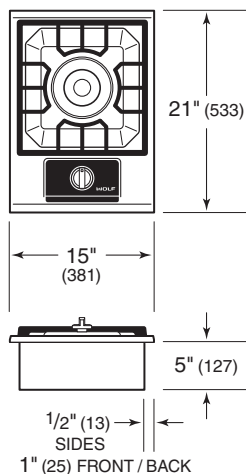
- Installation and service must be performed by a qualified installer, service agency or the gas supplier.
- Warranty service must be performed by Wolf factory certified service.
- Do not store or use gasoline or other flammable vapors and liquids in the vicinity of this or any other appliance.
- A ventilation hood or downdraft system is recommended for use with the multi-function cooktop.
- In Massachusetts: Installations and repairs must be performed by a qualified or licensed contractor, plumber or gasfitter qualified or licensed by the state, province, or region where this appliance is being installed. Only use gas shut-off valves approved for use within the state, province or region where this appliance is being installed. A flexible gas connector, when used, must not exceed 3' (.9 m).

### WHAT TO DO IF YOU SMELL GAS:

- Do not try to light any appliance.
- Do not touch any electrical switch.
- Do not use any phone in your building.
- Immediately call your gas supplier from a neighbor's phone. Follow the gas supplier's instructions.
- If you cannot reach your gas supplier, call the fire department.

## Overall Dimensions

### MULTI-FUNCTION COOKTOP



## Installation Specifications

### ⚠ WARNING

Failure to locate the multi-function cooktop without the proper clearances will result in a fire hazard.

**IMPORTANT NOTE:** Installation of the Wolf gas multi-function cooktop must meet minimum clearance requirements shown in the installation specifications illustration on the following page.

The Wolf multi-function cooktop is intended for indoor use. An adequate supply of fresh air is required to assure proper combustion and ventilation. It is designed to fit a standard 24" (610) deep base cabinet with 25" (635) deep countertop. Before making the countertop cut-out, verify that the module will clear the side walls of the base cabinet.

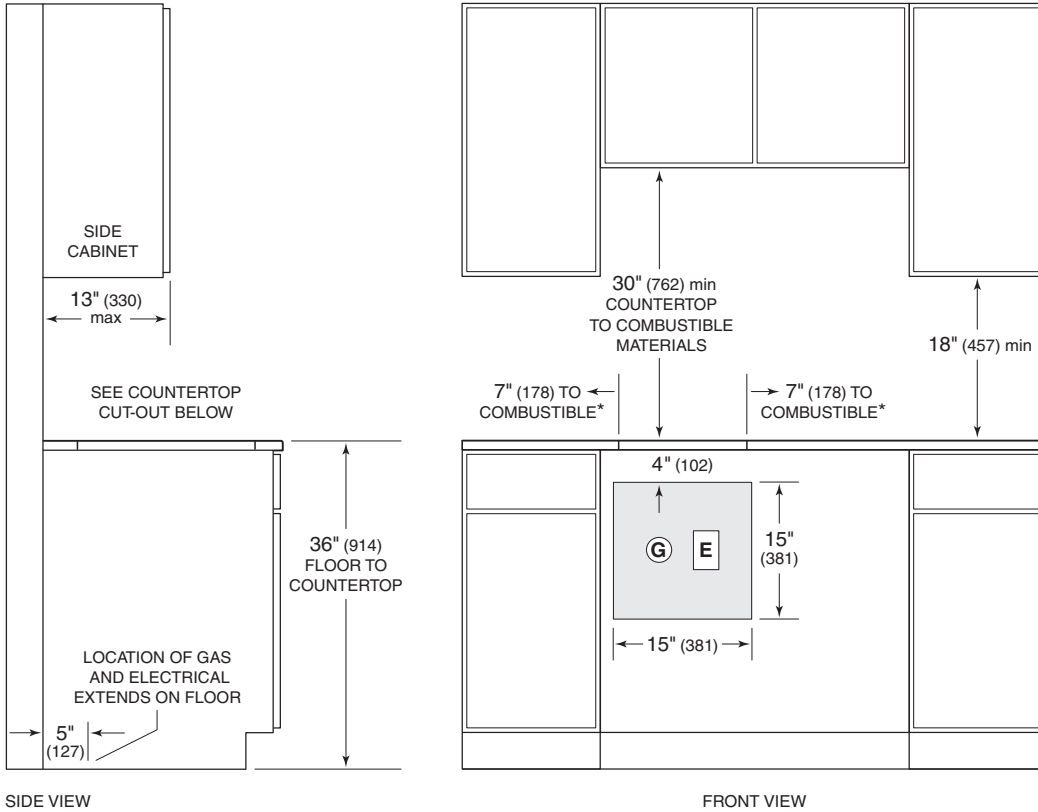
There should be at least 5<sup>1</sup>/<sub>2</sub>" (140) clearance between the countertop and any combustible surface directly below the multi-function cooktop.

If the multi-function cooktop is not installed above an oven, the gas service may be supplied through the floor. When an oven is installed below the cooktop, unless you are using cabinets deeper than 24" (610), it is recommended that the electrical supply be placed in the base cabinet to the right of the oven. Refer to the illustration on the following page for specifics on placement of the electrical and gas supply.

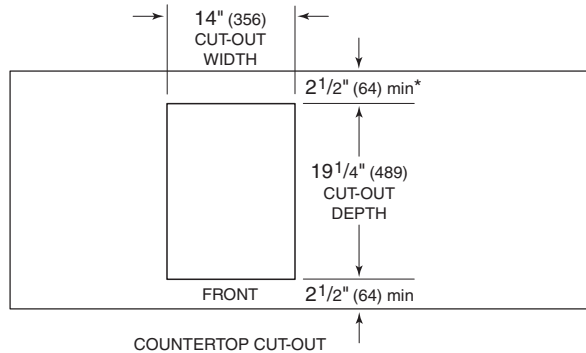
It is recommended that you use a Wolf cooktop ventilation hood, downdraft, pro hood or hood liner with the multi-function cooktop. Refer to the Wolf design guide.

Installation Specifications

MULTI-FUNCTION COOKTOP



\*Minimum clearance from cooktop cut-out to combustible materials up to 18" (457) above countertop.  
 NOTE: Application shown allows for installation of two 15" (381) modules side by side.



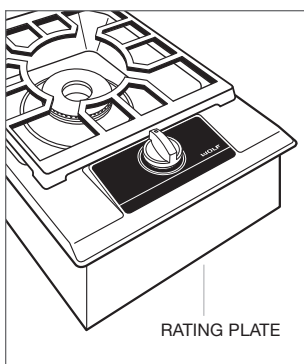
## Gas Supply Requirements

### ⚠ WARNING

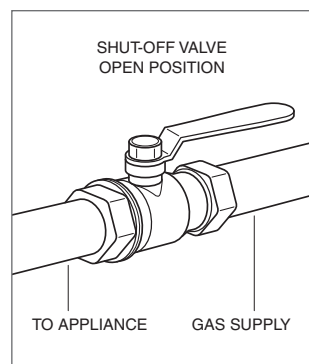
**EXPLOSION HAZARD:** Use a certified gas supply line and install a gas shut-off valve. Securely tighten all gas connections. Failure to follow these instructions can result in explosion, fire or death.

**IMPORTANT NOTE:** This installation must conform with local codes and ordinances. In the absence of local codes, installations must conform with American National Standard, National Fuel Gas Code ANSI Z223.1—latest edition or CAN1—B149.1 or 2.

The gas multi-function cooktop is equipped for use with natural or LP gas. It is design certified by the Canadian Standards Association (CSA) for natural or LP gases. The product rating plate, located on the underside of the cooktop, has information on the type of gas that should be used. Refer to the illustration below. If this information does not agree with the type of gas available, contact your authorized Wolf dealer or local gas supplier. For local dealer information, visit the find a showroom section of our website, [wolfappliance.com](http://wolfappliance.com).



Location of rating plate.



Gas shut-off valve.

### GAS SUPPLY LINE

**IMPORTANT NOTE:** The gas multi-function cooktop must be connected to a regulated gas supply.

A gas supply line of  $\frac{3}{4}$ " (19) rigid pipe must be provided to the cooktop. For LP gas, piping or tubing size can be  $\frac{1}{2}$ " (13) minimum. LP gas suppliers usually determine the size and materials used on the system. If local codes permit, a certified,  $\frac{1}{2}$ " (13) or  $\frac{3}{4}$ " (19) ID flexible metal appliance connector is recommended to connect the cooktop to the gas supply line. The gas pressure regulator on the cooktop has  $\frac{1}{2}$ " (13) female threads.

**IMPORTANT NOTE:** The supply line must be equipped with an approved external gas shut-off valve located near the cooktop in an accessible location. Do not block access to the shut-off valve. Refer to the illustration below.

The Wolf natural gas multi-function cooktop will function up to an altitude of 10,250' (3124 m) without any adjustment. LP gas cooktops will function up to 8,600' (2621 m) without adjustment. If the installation exceeds these elevations, contact your authorized Wolf dealer for a high altitude conversion kit.

### ⚠ CAUTION

Before connecting the gas supply, make sure all valves are in a closed position. Do not connect the gas supply to an appliance that shows any sign of damage.

## Gas Supply Requirements

### GAS MANIFOLD PRESSURE

- **Natural Gas:** Standard orifices are set for 5" (12.5 mb) WC (water column).
- **LP Gas:** Standard orifices are set for 10" (25 mb) WC.
- **Gas Supply Pressure:** The maximum gas supply pressure to the regulator should never exceed 14" (34.9 mb) WC; .5 psi (3.5 kPa) for natural and LP gas. The minimum line pressure is 7" (17.5 mb) WC for natural gas and 11" (27.4 mb) WC for LP gas.
- **Gas Pressure Regulator:** To control and maintain a uniform gas pressure in the gas manifold, the unit must be used with a gas pressure regulator. The burner orifices, etc. are sized for the gas pressure delivered by the supplied regulator. Do not remove the regulator.

### ▲ CAUTION

The maximum gas supply pressure to the regulator should never exceed 14" (34.9 mb) WC; .5 psi (3.5 kPa).

Electrical Requirements

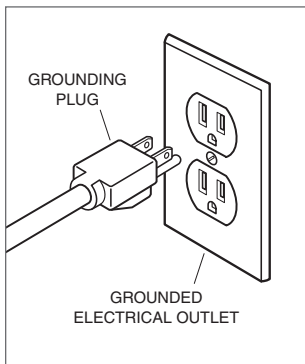
**⚠ WARNING**  
**ELECTRICAL SHOCK HAZARD:** Plug into a grounded 3-prong outlet. Do not remove ground prong. Do not use an adapter. Failure to follow these instructions can result in electric shock, fire or death.

The Wolf multi-function cooktop requires a 120 V AC, 60 Hz, 15-amp, fused electrical supply. A time-delay fuse or circuit breaker is recommended. It is recommended that a separate circuit serving only this appliance be provided. A ground fault circuit interrupter (GFCI) is not recommended and may cause interruption of operation.

ELECTRICAL GROUND

The 6' (1.8 m) power cord is equipped with a 3-prong, grounding plug for protection against shock hazard. The power cord must be plugged into a mating 3-prong grounded outlet, grounded to conform with the National Electrical Code, ANSI/NFPA 70 latest edition, or Canadian Electrical Code (CSA) and all local codes and ordinances. Refer to the illustration below.

**IMPORTANT NOTE:** This appliance must be properly grounded to avoid electrical shock hazard. Do not ground to a gas pipe.

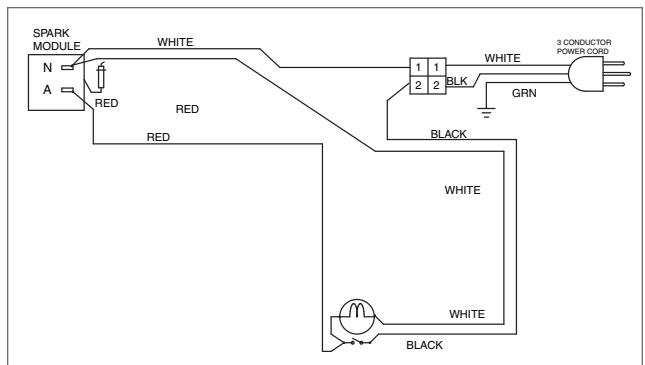


Electrical ground.

**IMPORTANT NOTE:** Electronic ignition systems operate within wide voltage limits, but proper ground and polarity are necessary. In addition to checking that the electrical outlet provides 120 V AC power and is correctly grounded, the outlet must be checked by a qualified electrician to see if it is wired with correct polarity.

WIRING DIAGRAM

The wiring diagram below covers the control circuit for the Wolf multi-function cooktop.



Wiring diagram.



## Installation Specifications

### MULTIPLE COOKTOP INSTALLATION

If the multi-function cooktop is to be used in combination with additional cooktops or modules with a filler strip, refer to the chart below for the countertop cut-out width. The dimensions are derived by adding an additional 1<sup>1</sup>/<sub>4</sub>" (32) for each additional unit, to give you the total countertop cut-out width. Dimensions include the filler strip.

When multiple cooktops are installed side by side, each unit must have its own separate, recommended electrical circuit. When multiple gas cooktops are installed next to one another, they can receive their gas supply from a common line. However, each unit must have its own gas pressure regulator.

When two or more cooktops or modules are installed together, an integrated module filler strip is recommended. The filler strip and other accessories are available through your authorized Wolf dealer. For local dealer information, visit the find a showroom section of our website, [wolfappliance.com](http://wolfappliance.com).

**IMPORTANT NOTE:** Review specific installation instructions for product to product capabilities.

#### Multiple Cooktops

COUNTERTOP CUT-OUT	WIDTH
2 Modules	29 <sup>1</sup> / <sub>4</sub> " (743)
3 Modules	44 <sup>1</sup> / <sub>2</sub> " (1130)
4 Modules	59 <sup>3</sup> / <sub>4</sub> " (1518)
30" (762) Cooktop / Module	44 <sup>1</sup> / <sub>4</sub> " (1124)
30" (762) Cooktop / 2 Modules	59 <sup>1</sup> / <sub>2</sub> " (1511)
36" (914) Cooktop / Module	50 <sup>1</sup> / <sub>4</sub> " (1276)

## Install the Cooktop

Remove the multi-function cooktop and gas pressure regulator from its shipping carton and discard packing materials.

Lower the multi-function cooktop into the countertop cut-out opening. Center the cooktop in the opening and check that the front edge of cooktop is parallel to the front edge of the countertop. Check that all required clearances are met. Using a pencil, outline the rear edge of the cooktop frame on the countertop. Remove the cooktop from the countertop opening.

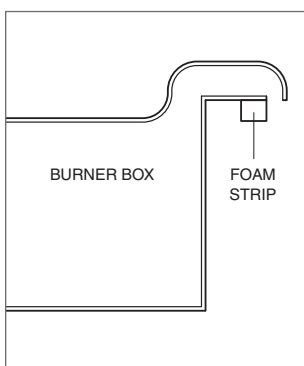
**IMPORTANT NOTE:** When repositioning the multi-function cooktop in the countertop opening, lift the entire cooktop up from the opening to prevent scratching the countertop.

Apply the foam strip, included in the hardware package, to the underside of the multi-function cooktop frame. Refer to the illustration below.

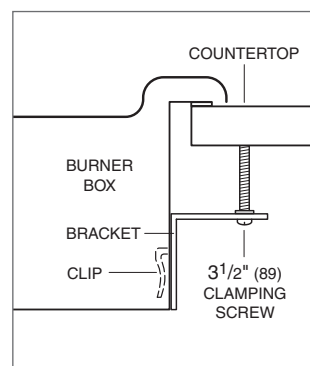
Reinsert the multi-function cooktop into the countertop opening. Align the rear edge of the cooktop frame with the pencil line and check that it is parallel to the front edge of the countertop. Lift the entire cooktop to make adjustments.

Attach the brackets to the burner box by inserting the clips into the rectangular punchouts on the left and right side of the burner box. Insert the 3<sup>1</sup>/<sub>2</sub>" (89) clamping screws into the brackets. Use a screwdriver to tighten the clamping screws against the underside of the countertop. Refer to the illustration below. Do not overtighten screws.

**IMPORTANT NOTE:** Do not seal the cooktop to the countertop. It must be removed if service is necessary.



Foam strip.



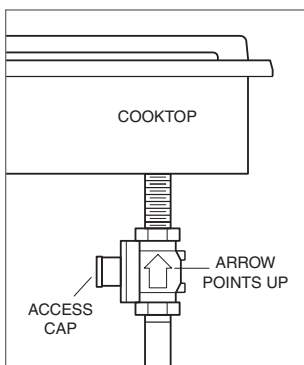
Installation brackets.

## Install the Cooktop

### GAS PRESSURE REGULATOR

Install the gas pressure regulator with the arrow on the regulator pointing up toward the unit and in a position where you can reach the access cap. Refer to the illustration below.

**IMPORTANT NOTE:** All connections must be wrench-tightened. Do not make connections to the regulator too tight, as this may crack the regulator and cause a gas leak. Do not allow the regulator to turn on the pipe when tightening fittings.



Gas pressure regulator.

### GAS SUPPLY CONNECTION

Assemble the flexible metal connector from the gas supply pipe to the gas pressure regulator. You will need to determine the fittings required, depending on the size of your gas supply line, flexible metal connector and shut-off valve. Refer to the illustration below.

Use a pipe joint compound made for use with natural and LP gas. If a flexible metal connector is used, be sure the tubing is not kinked.

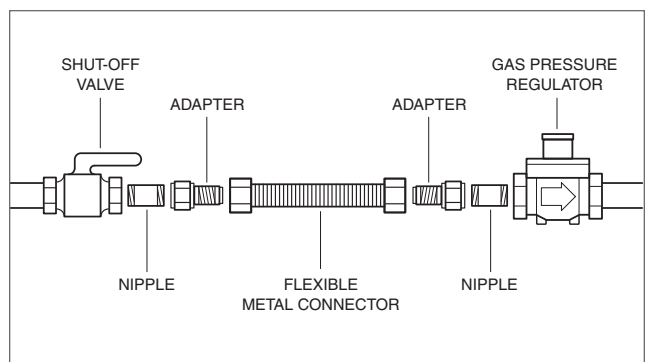
Open the gas shut-off valve in the gas supply line. Wait a few minutes for the gas to move through the line. Refer to the illustration on page 6.

### GAS LEAK TESTING

Use a brush and liquid detergent to test all gas connections for leaks. Bubbles around connections will indicate a leak. If a leak appears, shut off the gas supply and adjust connections. Then check connections again. Clean the detergent solution from the cooktop.

#### ⚠ WARNING

Never test for a gas leak with a match or other flame.



## Install the Cooktop

### COMPLETE THE INSTALLATION

Once the multi-function cooktop has been checked for gas leaks, plug the power cord into the grounded electrical outlet. Place the burner head on the burner base and position the burner grate over the burner assembly.

Read the entire Wolf multi-function cooktop use & care guide included with the unit. It contains important safety, operation, service and warranty information.

Before operating, clean the multi-function cooktop thoroughly with hot water and a mild detergent. Rinse and dry with a soft cloth. This removes any residual oil and grease left on the surface from the manufacturing process. Refer to care recommendations in the use & care guide.

### VERIFY OPERATION

The burner of the gas multi-function cooktop uses an electronic igniter in place of a standing pilot. When the control knob is pushed in and turned to the HIGH position, the system creates a spark to light the burner. This sparking continues until the electronic ignition senses a flame.

To check operation of the burner, push in and turn the control knob to the HIGH position. The flame should light within four seconds.

If the burner does not light properly, turn the control knob to the OFF position. Check that the burner head is in the proper position. Make sure the power cord is plugged in and the circuit breaker or house fuse has not blown. Check that the gas shut-off valve is in the open position. Check operation again; if the burner does not light properly at this point, contact Wolf factory certified service.

**IMPORTANT NOTE:** Initial lighting of the burner may take slightly longer as air in the system must be purged before gas can be supplied to the burner.

## Cooktop Removal

### ⚠ WARNING

The multi-function cooktop must be disconnected from the electrical and gas supply prior to removal.

**IMPORTANT NOTE:** Removal of the multi-function cooktop should only be performed by Wolf factory certified service.

If removing the multi-function cooktop is necessary for cleaning or service, shut off the gas supply. Disconnect the electrical and gas supply. Remove the mounting brackets on each side of cooktop and remove. Reinstall in the reverse order and check gas connections for leaks.

## Troubleshooting

**IMPORTANT NOTE:** If the multi-function cooktop does not operate properly, follow these troubleshooting steps:

- Verify that electrical power is being supplied to the cooktop.
- Check the gas supply and electrical connections to ensure that the installation has been completed correctly.
- Check that the gas supply shut-off valve is in the open position.
- Check polarity of the electrical outlet if excessive igniter clicking occurs immediately after installation.
- Follow troubleshooting procedures outlined in the Wolf gas multi-function cooktop use & care guide.
- If the multi-function cooktop still does not operate properly, contact Wolf factory certified service. Do not attempt to repair the cooktop yourself. Wolf is not responsible for service required to correct a faulty installation.

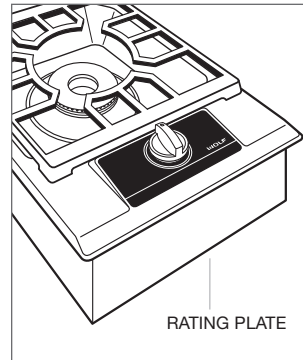
## Service Information

If service is necessary, maintain the quality built into your multi-function cooktop by contacting Wolf factory certified service.

For the name and number of Wolf factory certified service nearest you, check the contact & support section of our website, [wolfappliance.com](http://wolfappliance.com) or call Wolf customer care at 800-222-7820.

When calling for service, you will need the model and serial numbers of the multi-function cooktop. Both numbers are listed on the product rating plate located on the underside of the cooktop. Refer to the illustration for the location of the rating plate.

**IMPORTANT NOTE:** Installation and service must be performed by a qualified installer or service agency. Warranty service must be performed by Wolf factory certified service.



Location of rating plate.



The information and images in this guide are the copyright property of Wolf Appliance, Inc. Neither this guide nor any information or images contained herein may be copied or used in whole or in part without the express written permission of Wolf Appliance, Inc. ©Wolf Appliance, Inc. all rights reserved.

Wolf, Wolf & Design, Wolf Gourmet, W & Design and the color red as applied to knobs are registered trademarks and service marks of Wolf Appliance, Inc. Sub-Zero, Sub-Zero & Design, Dual Refrigeration, Constant Care and The Living Kitchen are registered trademarks and service marks of Sub-Zero, Inc. (collectively, the "Company Marks.") All other trademarks or registered trademarks are property of their respective owners in the United States and other countries.



WOLF APPLIANCE, INC. P. O. BOX 44848 MADISON, WI 53744 WOLFAPPLIANCE.COM 800.222.7820

817485 REV-A

3/2011

