



Wine Storage Models 427G and 427RG Design Guide





Contents

- 3 Wine Storage
- 4 Specifications
- 6 Custom Panels
- 10 Full-Scale Template
- 11 Warranty

Features and specifications are subject to change at any time without notice. Visit subzero.com/specs for the most up-to-date information.

IMPORTANT NOTE: Throughout this guide, dimensions may vary by $\pm 1/8"$ (3). Dimensions in parentheses are millimeters unless otherwise specified.

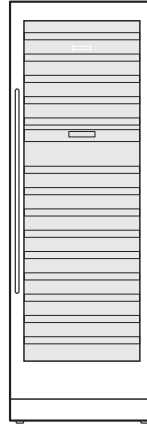
Wine Storage

MODELS 427G AND 427RG

Wine finds a well-deserved place of honor in a Sub-Zero wine storage unit. Every detail is designed to ensure better wine preservation. Cherrywood-faced racks, soft lighting, custom cabinetry if desired—Sub-Zero helps make a wine collection an element of beauty in the home.

KEY FEATURES

- Custom front panels and hardware allow for infinite design options.
- Full-view glass door standard on both models.
- Discreet interior lighting with illuminated display rack for prized bottles of wine.
- Two independent storage zones maintain temperature, humidity and UV protection.
- Model 427RG features two refrigerator storage drawers.
- Roller-glide wine racks with natural cherrywood facing have three-quarter extension for easy access.
- Wine racks accommodate 750 ml bottles, half-bottles and magnums.



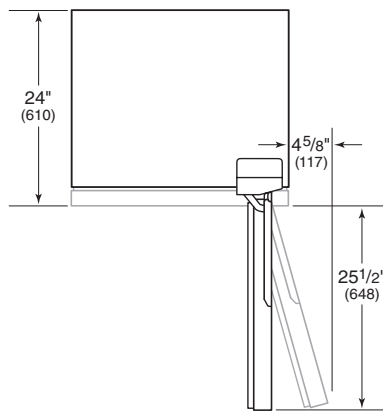
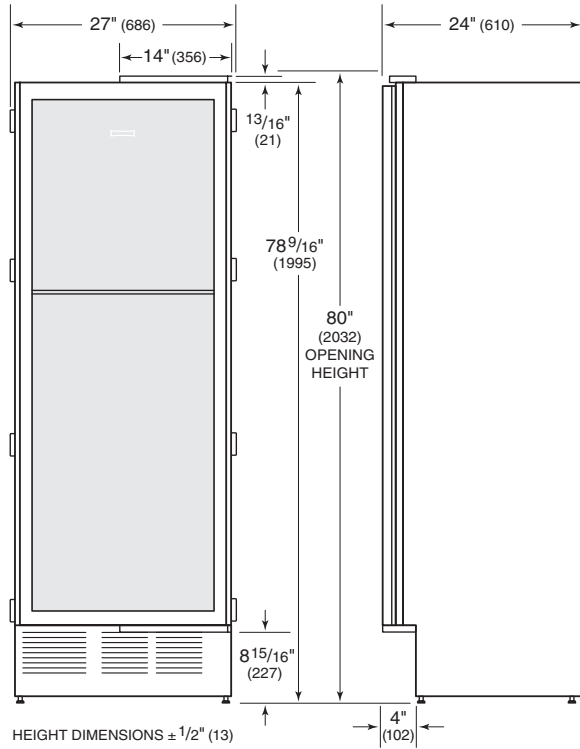
Model 427G



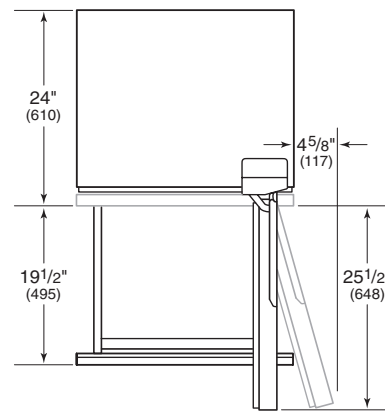
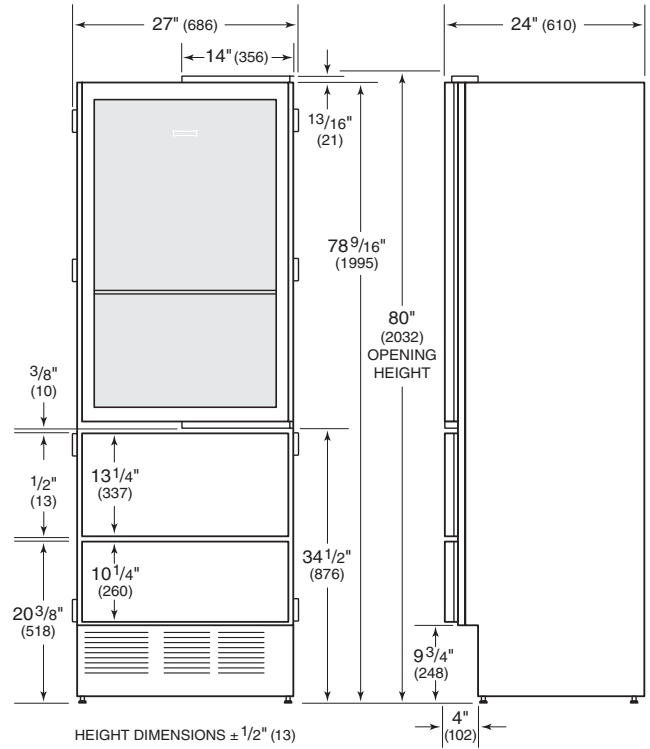
Model 427RG

Overall Dimensions

MODEL 427G



MODEL 427RG

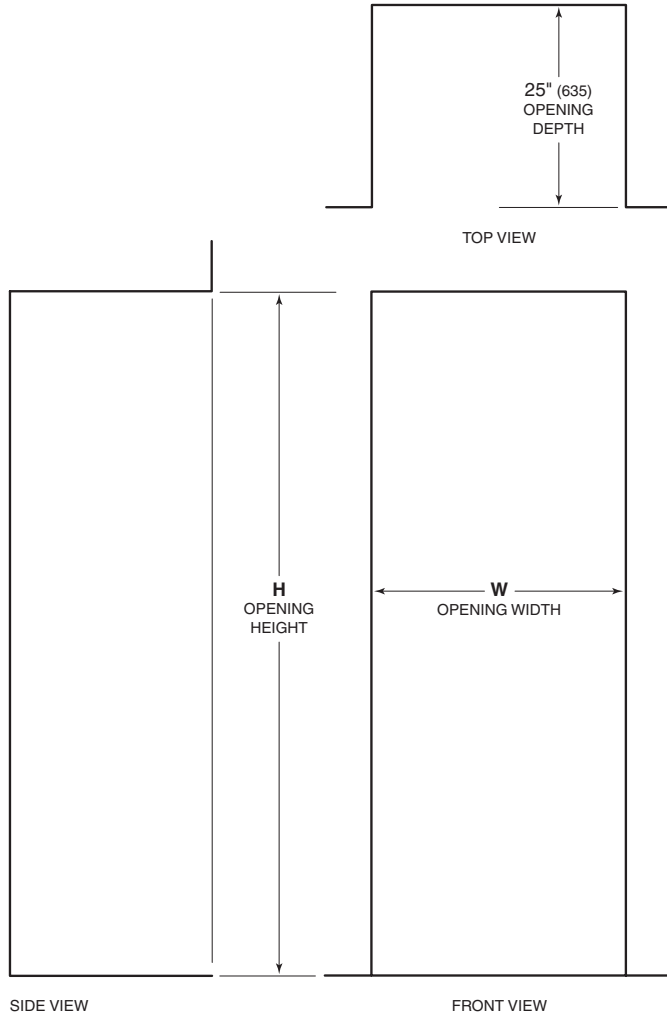


| SPECIFICATIONS | | |
|-------------------------|--------------------|-------------------------|
| STORAGE CAPACITY | R CU FT (L) | BOTTLES (750 ML) |
| 427G | | 132 |
| 427RG | 5.3 (150) | 78 |
| SHIPPING WEIGHT | | LB (KG) |
| 427G | | 395 (179) |
| 427RG | | 410 (186) |

Overall dimensions do not include panels or handles.
Dimensions will vary with panel thickness.

Opening Dimensions

MODELS 427G AND 427RG



| OPENING DIMENSIONS | | |
|--------------------|-----------|------------|
| MODEL | W | H |
| 427G | 27" (686) | 80" (2032) |
| 427RG | 27" (686) | 80" (2032) |

The depth of each integrated model is 24" (610). Allow for panel thickness when planning the finished opening depth.

DUAL INSTALLATION

When installing two integrated units (models 427G and 427RG) side by side in a dual installation, the opening width is the width of the two units added together. A dual installation kit will be required for this installation. If a dual installation kit is not specified, a minimum 2" (51) filler strip is required between units.

Dual installation kits are available through an authorized Sub-Zero dealer. For local dealer information, visit the find a showroom section of our website, subzero.com. For questions regarding the installation, call Sub-Zero customer care at 800-222-7820.

Electrical

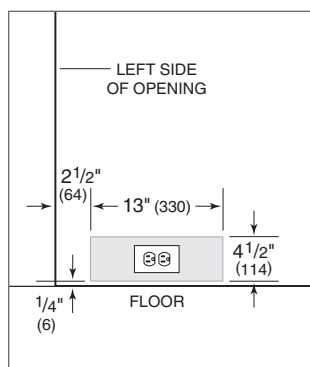
The electrical supply should be located within the shaded area shown in the illustration below. A separate circuit, servicing only this appliance is required. A ground fault circuit interrupter (GFCI) is not recommended and may cause interruption of operation.

If the unit will be connected to a home security system, allow 36" (914) of excess wiring for proper connection.

IMPORTANT NOTE: For models 427G and 427RG, it is critical the electrical outlet be positioned with the grounding prong to the right of the thinner blades.

Installation must comply with all applicable electrical codes.

| ELECTRICAL REQUIREMENTS | |
|-------------------------|------------------------|
| Electrical Supply | 115 VAC, 60 Hz |
| Service | 15 amp |
| Receptacle | 3-prong grounding-type |



Models 427G and 427RG.

Custom Panels

For integrated applications, custom door/drawer panels and handle hardware must be provided. Finish all sides of the custom panels. They may be visible when the door/drawer is open or through the window of the glass door.

The custom door panel will attach directly to the door with screws through a series of pre-drilled holes. For model 427RG, drawer panels will attach using mounting brackets supplied with the unit. Refer to the panel requirements chart below and integrated panel dimensions on the following page.

The thickness of the custom panel can vary. A minimum 5/8" (16) thick panel is required, but the thickness can be increased provided it does not exceed the weight limit. The depth of each model is 24" (610). Allow for panel thickness when planning the finished opening depth.

⚠ CAUTION

When using a 3/4" (19) or thicker panel with a reveal less than 1/4" (6), panel may cause damage to the unit when door is opened to 105°. Use the built-in 90° door stop.

⚠ CAUTION

As reveals between cabinetry and the unit decrease, severe finger pinching can occur while door is closing.

PANEL REQUIREMENTS

| PANEL WEIGHT | MAX |
|----------------|--------------|
| Door | 20 lb (9 kg) |
| Drawer (427RG) | 12 lb (5 kg) |

| PANEL THICKNESS | MIN |
|-----------------|-----------|
| All Panels | 5/8" (16) |

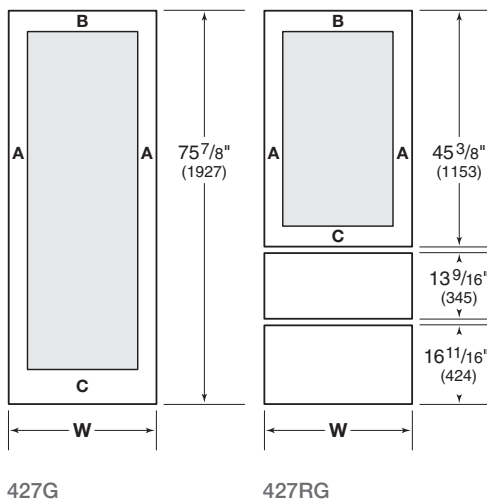
Custom Panels

Do not install a solid panel on a glass door unit. A solid door is available as a sales accessory and must be installed if a solid panel is specified. Service may be required to install the door. Contact an authorized Sub-Zero dealer for more information. Overall dimensions are the same for glass and solid door panels.

D-style handles are recommended. Door handles must be located near the edge of the panel opposite the hinge and should be centered top to bottom. Drawer handles must be located near the top edge of each panel. Stainless steel tubular and pro handles are available through an authorized Sub-Zero dealer. For local dealer information, visit the find a showroom section of our website, subzero.com.

An optional lock kit is available. Review the lock kit instructions to ensure your panels will allow for adequate installation. These instructions are available on our website, subzero.com/specs.

INTEGRATED PANEL DIMENSIONS



Typical panel dimensions are based on an 80" (2032) overall height, 4" (102) toe kick and 1/8" (3) reveals. Panel dimensions must be adjusted accordingly for all other installations. Refer to the illustration above for panel height and the chart below for panel width.

| PANEL WIDTH | | | |
|----------------------|--|--------------------------------------|----------|
| MODEL | W | | |
| 427G | 26 ³ / ₄ " (679) | | |
| 427RG | 26 ³ / ₄ " (679) | | |
| STILES / RAILS (MIN) | A | B | C |
| 427G | 2 ¹ / ₄ " (57) | 3 ³ / ₄ " (95) | 8" (203) |
| 427RG | 2 ¹ / ₄ " (57) | 3 ³ / ₄ " (95) | 3" (76) |

DUAL INSTALLATION

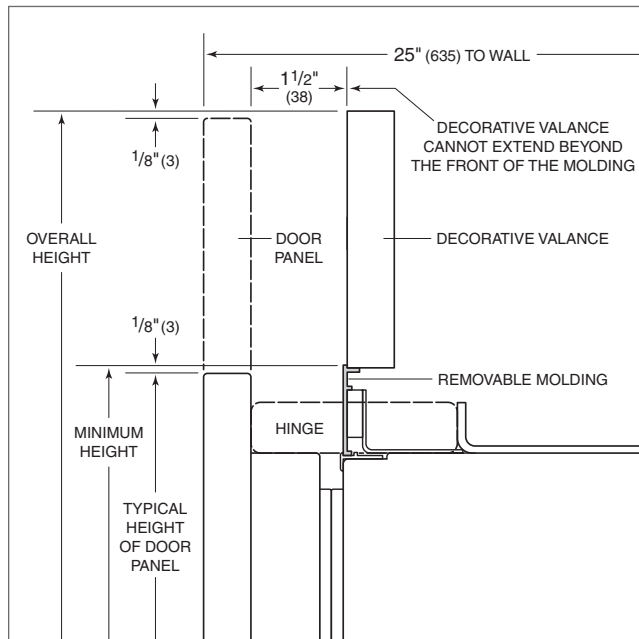
For dual installations, refer to the illustration above for panel height and the chart below for panel width.

| PANEL WIDTH—DUAL INSTALLATION | | | |
|-------------------------------|--|--------------------------------------|----------|
| MODEL | W | | |
| 427G | 26 ¹³ / ₁₆ " (681) | | |
| 427RG | 26 ¹³ / ₁₆ " (681) | | |
| STILES / RAILS (MIN) | A | B | C |
| 427G | 2 ¹ / ₄ " (57) | 3 ³ / ₄ " (95) | 8" (203) |
| 427RG | 2 ¹ / ₄ " (57) | 3 ³ / ₄ " (95) | 3" (76) |

Custom Panels

DOOR PANEL HEIGHT

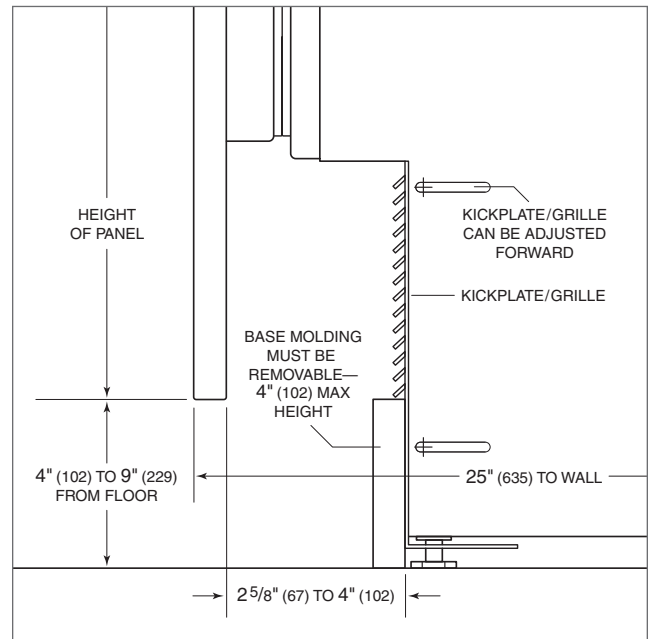
The height of the custom door panel can extend beyond the typical panel height, provided it does not exceed the weight limit. Refer to the illustration below.



Upper valance—side view.

TOE KICK CLEARANCE

The height of the toe kick area can extend beyond the typical toe kick height, provided it does not exceed the dimensions in the illustration below.



Toe kick—side view.

Standard Handles

Optional stainless steel tubular and pro handles are available through an authorized Sub-Zero dealer. For local dealer information, visit the find a showroom section of our website, subzero.com.

Refer to the chart below for standard handle lengths for models 427G and 427RG.

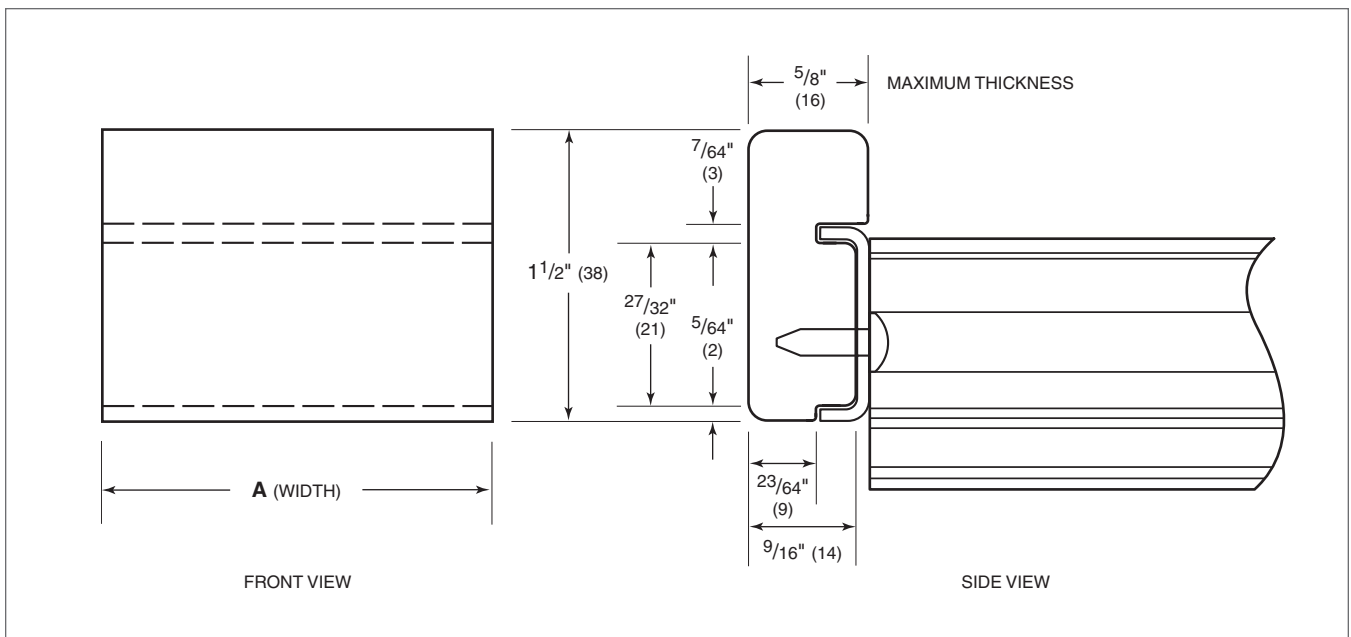
| HANDLE LENGTH | | |
|---------------|---|---|
| WINE STORAGE | TUBULAR | PRO |
| 427G Door | 50 ¹ / ₈ " (1273) | 48 ³ / ₈ " (1229) |
| 427RG Door | 33 ¹ / ₄ " (845) | 31 ¹ / ₂ " (800) |
| 427RG Drawer | 24 ³ / ₁₆ " (614) | 21" (533) |

Wine Rack Wood Facing

FULL-SCALE TEMPLATE

The natural cherrywood facing on wine storage racks can be stained and sealed, or replaced with wood more complementary to surrounding cabinetry. Refer to the full-scale template below for profile dimensions of the wood facing and the chart for width.

| WIDTH | |
|-------|--|
| MODEL | A |
| 427G | 20 ¹⁵ / ₁₆ " (532) |
| 427RG | 20 ¹⁵ / ₁₆ " (532) |



Wine rack wood facing.

Sub-Zero, Sub-Zero & Design, Dual Refrigeration, The Living Kitchen, Great American Kitchens The Fine Art of Kitchen Design, and Ingredients are registered trademarks and service marks of Sub-Zero, Inc. Wolf, Wolf & Design, Wolf Gourmet, W & Design and the color red as applied to knobs are registered trademarks and service marks of Wolf Appliance, Inc. All other trademarks or registered trademarks are property of their respective owners in the United States and other countries.

Sub-Zero Residential Limited Warranty

FOR RESIDENTIAL USE

FULL TWO YEAR WARRANTY*

For two years from the date of original installation, this Sub-Zero product warranty covers all parts and labor to repair or replace, under normal residential use, any part of the product that proves to be defective in materials or workmanship. All service provided by Sub-Zero under the above warranty must be performed by Sub-Zero factory certified service, unless otherwise specified by Sub-Zero, Inc. Service will be provided during normal business hours.

FULL FIVE YEAR SEALED SYSTEM WARRANTY

For five years from the date of original installation, this Sub-Zero product warranty covers all parts and labor to repair or replace, under normal residential use, these parts that prove to be defective in materials or workmanship: compressor, condenser, evaporator, drier and all connecting tubing. All service provided by Sub-Zero under the above warranty must be performed by Sub-Zero factory certified service, unless otherwise specified by Sub-Zero, Inc. Service will be provided during normal business hours.

LIMITED TWELVE YEAR SEALED SYSTEM WARRANTY

For twelve years from the date of original installation, Sub-Zero will repair or replace the following parts that prove to be defective in materials or workmanship: compressor, condenser, evaporator, drier and all connecting tubing. If the owner uses Sub-Zero factory certified service, the service provider will repair or replace these parts with the owner paying for all other costs, including labor. If the owner uses non-certified service, the owner must contact Sub-Zero, Inc. (using the information below) to receive repaired or replacement parts. Sub-Zero will not reimburse the owner for parts purchased from non-certified service or other sources.

TERMS APPLICABLE TO EACH WARRANTY

The warranty applies only to products installed for normal residential use. The warranty applies only to products installed in any one of the fifty states of the United States, the District of Columbia or the ten provinces of Canada. This warranty does not cover any parts or labor to correct any defect caused by negligence, accident or improper use, maintenance, installation, service or repair.

THE REMEDIES DESCRIBED ABOVE FOR EACH WARRANTY ARE THE ONLY ONES THAT SUB-ZERO, INC. WILL PROVIDE, EITHER UNDER THIS WARRANTY OR UNDER ANY WARRANTY ARISING BY OPERATION OF LAW. SUB-ZERO, INC. WILL NOT BE RESPONSIBLE FOR ANY CONSEQUENTIAL OR INCIDENTAL DAMAGES ARISING FROM THE BREACH OF THIS WARRANTY OR ANY OTHER WARRANTY, WHETHER EXPRESS, IMPLIED OR STATUTORY.

Some states do not allow the exclusion or limitation of incidental or consequential damages, so the above limitation or exclusion may not apply to you. This warranty gives you specific legal rights and you may also have other legal rights that vary from state to state.

To receive parts and/or service and the name of Sub-Zero factory certified service nearest you, contact Sub-Zero, Inc., P.O. Box 44848, Madison, WI 53744; check the contact & support section of our website, subzero.com, email us at customerservice@subzero.com or call 800-222-7820.

*Stainless steel (doors, panels, handles, product frames and interior surfaces) are covered by a limited 60-day parts and labor warranty for cosmetic defects.

*Replacement water filters and air purification cartridges are not covered by the product warranty.





SUB-ZERO

SUB-ZERO, INC. P.O. BOX 44848 MADISON, WI 53744 SUBZERO.COM 800.222.7820

SZ427DG

2/2015