



Pro Ventilation Hoods

DESIGN GUIDE

04/2026



Contents

- 3** Models
- 4** Overall Dimensions
- 6** Planning Information
- 7** Installation
- 8** Ventilation Suggestions
- 10** Wolf Warranty



Features and specifications are subject to change at any time without notice. Visit wolfappliance.com/specs for the most up-to-date information.

Throughout this guide, dimensions may vary by $\pm \frac{1}{8}$ " (3). Dimensions in parentheses are millimeters unless otherwise specified.

Pro Ventilation Hoods

Pro Hoods

MODELS

WALL HOODS



LOW-PROFILE



WALL



CHIMNEY



OUTDOOR

ISLAND HOOD



ISLAND

HOOD LINER

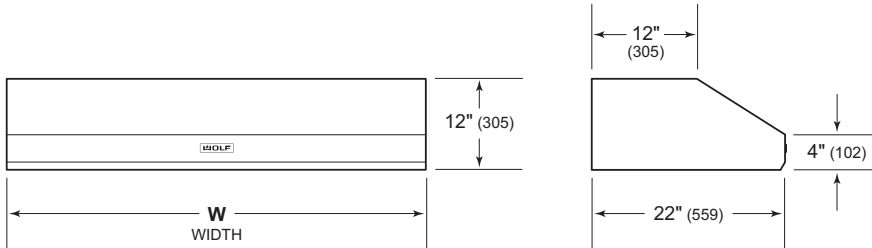


19"/22" DEEP

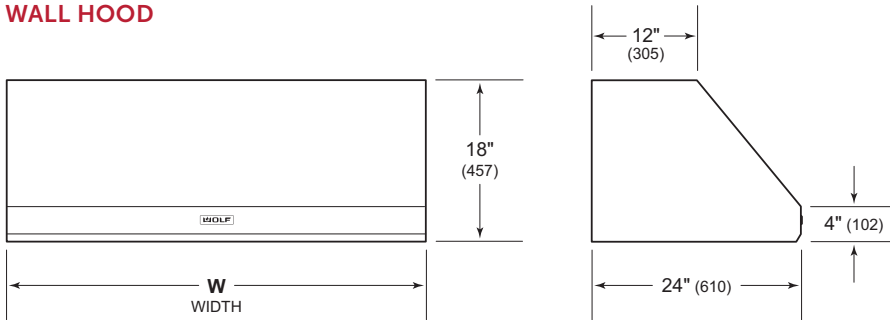
Pro Ventilation Hoods

Pro Hoods

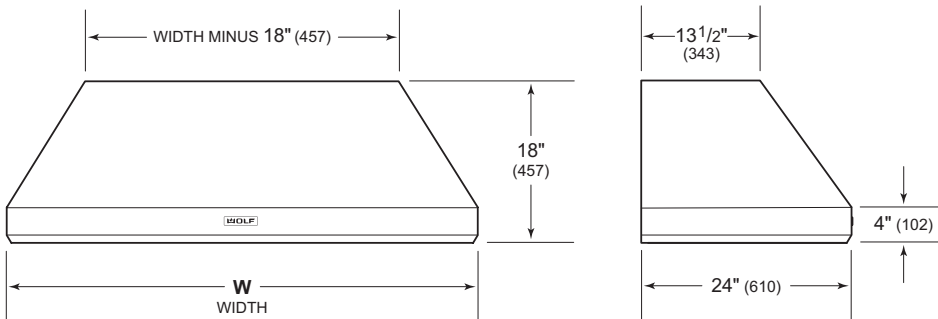
LOW-PROFILE WALL HOOD



WALL HOOD



WALL CHIMNEY HOOD



WIDTH

LOW-PROFILE WALL HOOD **W**
30" (762), 36" (914), 48" (1219)

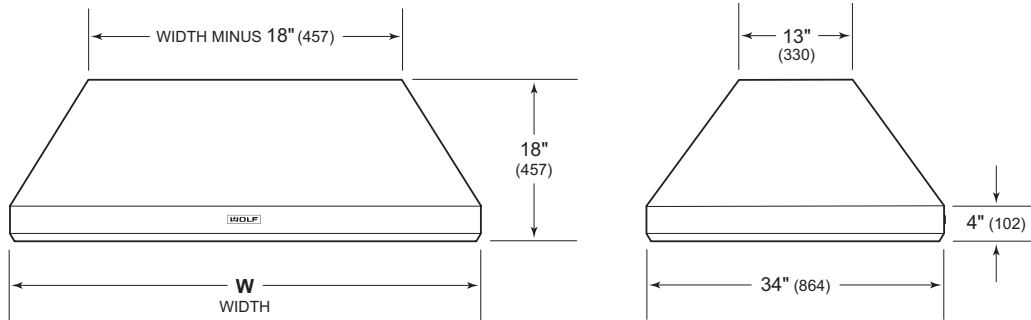
WALL HOOD **W**
30" (762), 36" (914), 42" (1067), 48" (1219)
54" (1372), 60" (1524)

WALL CHIMNEY HOOD **W**
36" (914), 42" (1067), 48" (1219), 54" (1372)

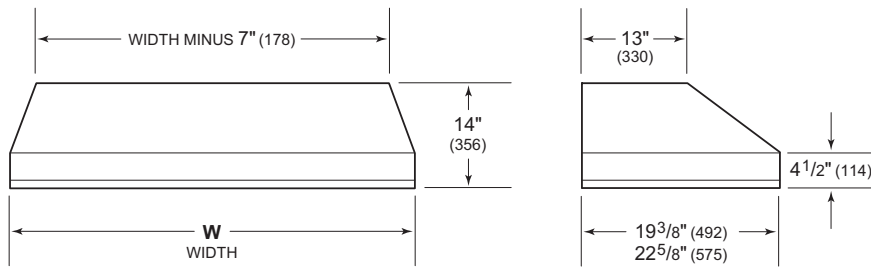
Pro Ventilation Hoods

Pro Hoods

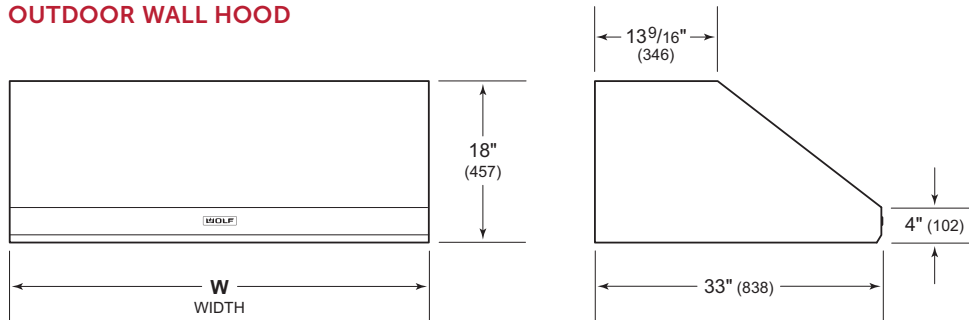
ISLAND HOOD



HOOD LINER



OUTDOOR WALL HOOD



WIDTH

ISLAND HOOD

W
36" (914), 42" (1067), 54" (1372), 66" (1676)

HOOD LINER

W
34⁷/₁₆" (875), 40⁷/₁₆" (1027), 46⁷/₁₆" (1180)
52⁷/₁₆" (1332), 58⁷/₁₆" (1484)

OUTDOOR WALL HOOD

W
36" (914), 48" (1219), 60" (1524)

Planning Information

INSTALLATION REQUIREMENTS

Pro Ventilation Hoods and hood liners are recommended for use with all Wolf cooking appliances. Wall hoods should be at least as wide as the cooking surface and island hoods should be at least 3" (76) wider on each side. Wider hoods can be used to increase the capture area.

Proper mounting height is very important for optimal performance. If a ventilation hood is mounted too low, access to the cooking surface may be restricted. If a hood is mounted too high, performance may be compromised. Installation of all Pro Hoods, except the outdoor wall hood, should be 30" (762) to 36" (914) from the bottom of the hood to the countertop. Installation of the outdoor wall hood should be 36" (914) to 42" (1067) from the bottom of the hood to the countertop.

BLOWER OFFERING

Wolf Pro Ventilation Hoods 42" (1067) and less in width include a 600 CFM internal blower. Hoods 48" (1219) and greater in width include two 600 CFM internal blowers. All outdoor hoods, including those 36" (916) in width, include two 600 CFM blowers.

For 36" (916) and 42" (1067) wide hoods, an additional internal blower is available through an authorized Wolf dealer. For local dealer information, visit the find a showroom section of our website, wolfappliance.com.

Wolf blowers include Code-flex technology which can be utilized to meet local codes and maximum airflow restrictions. The maximum output of the blower can be reduced to 300 CFM or 400 CFM. It is not recommended to modify the blower settings unless required by local code. Outdoor hoods do not have Code-flex technology.

IMPORTANT NOTE: In-line and remote blowers are not applicable for Wolf Pro Ventilation Hoods.

Ventilation suggestions on the following pages provide Wolf product CFM and blower options.

DUCTING CONSIDERATIONS

IMPORTANT NOTE: Unless used in a recirculating application, Wolf ventilation hoods must be vented to the outside. Use only rigid metal ducting.

Pro Ventilation Hoods accommodate a 10" (254) round duct for vertical discharge. Low-profile, wall, wall chimney, and liners can be installed with a horizontal discharge application if a single blower (600 CFM) is installed. A horizontal discharge damper is required for install and is available through an authorized Wolf dealer. For local dealer information, visit the find a showroom section of our website, wolfappliance.com.

A straight, short duct run with a limited number of elbows and transitions will allow the hood to perform most efficiently. Wolf Pro Ventilation Hoods will operate most efficiently when the duct run does not exceed 50' (15 m) in length.

Consult a qualified HVAC professional for specific installation and ducting applications.

Optional stainless steel duct covers, in multiple heights, are available through an authorized Wolf dealer. For local dealer information, visit the find a showroom section of our website, wolfappliance.com.

RECIRCULATING APPLICATION

Recirculating units recycle the air through a charcoal filter and return it to the kitchen. This type of ventilation will not remove heat, moisture, or combustion gases from the air. It will also be less effective in reducing odors and smoke. Recirculating units should only be used in applications where ducting to the outside is not an option, and only if local codes allow it.

Pro Wall Hoods and Pro Low-Profile Wall Hoods in 30" and 36" widths can be used in a non-ducted application with a recirculating filter. A recirculating kit, available through an authorized Wolf dealer, is required. For local dealer information, visit the find a showroom section of our website, wolfappliance.com.

IMPORTANT NOTE: A recirculating application is only compatible with a single internal blower.

Pro Ventilation Hoods

CUSTOM HOOD APPLICATIONS

Wolf Pro hood liners are for use in custom hood applications. The decorative hood can be created out of wood, plaster, tile, or metal. The shape of the hood is not critical, however, the bottom of the hood and liner must be on the same plane and must fit together at the bottom edge in both width and depth. The height of the liner does not need to accommodate the entire height of the decorative hood.

ELECTRICAL REQUIREMENTS

Installation must comply with all applicable electrical codes.

Locate the electrical supply as shown in the illustrations below. A separate circuit servicing only this appliance is required.

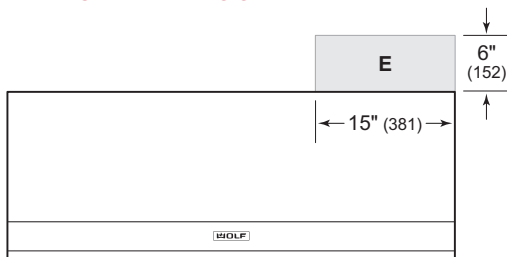
For the outdoor wall hood, a ground fault circuit interrupter (GFCI) is required to reduce the risk of electrical shock.

ELECTRICAL REQUIREMENTS

Electrical Supply	grounded, 120 VAC, 60 Hz
Service	15 amp dedicated circuit

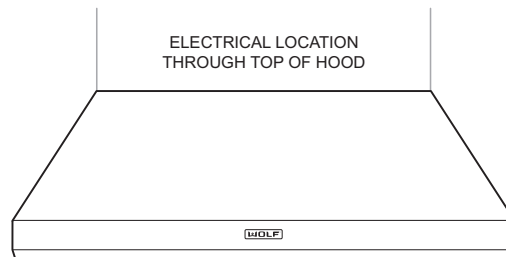
Installation

LOW-PROFILE WALL HOOD / WALL HOOD / WALL CHIMNEY HOOD



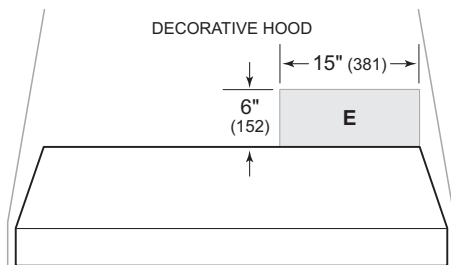
30" (762) TO 36" (914) BOTTOM EDGE TO COUNTERTOP

ISLAND HOOD



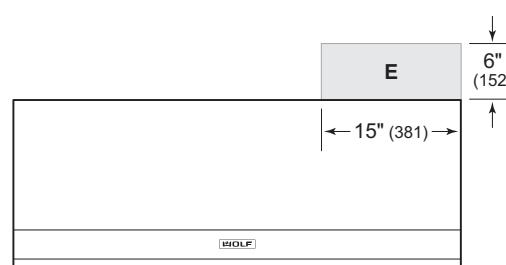
30" (762) TO 36" (914) BOTTOM EDGE TO COUNTERTOP

HOOD LINER



30" (762) TO 36" (914) BOTTOM EDGE TO COUNTERTOP

OUTDOOR WALL HOOD



36" (914) TO 42" (1067) BOTTOM EDGE TO COUNTERTOP

Ventilation Suggestions

Wolf Product CFM

Ventilation performance is measured in cubic feet per minute, or CFM. The higher the CFM, the greater the amount of air that is evacuated through the ventilation system. The chart below provides CFM suggestions specific to the Wolf cooking appliance and ventilation system used. To maximize airflow and performance, specify a blower to match or exceed the CFM listed.

Additional CFM may be required for long duct runs and ranges or rangetops with a charbroiler or griddle.

IMPORTANT NOTE: Consult a qualified HVAC professional for specific applications.

CFM	PRO HOOD
COOKTOP / MODULE	
CI152TF/S CG152TF/S MM15TF/S	300*
CI243TF/S CG243TF/S	300*
CI30460T/S CI30460C/B CI304TF/S	300*
CG304T/S CG304P/S	300*
CI36560T/S CI36560C/B CI365TF/S	300*
CG365T/S CG365P/S CG365C/S	300*
DUAL FUEL RANGE	
DF30450/S/P	600
DF36650/S/P DF36450C/S/P DF36450G/S/P	800 [†]
DF48850/S/P DF48650C/S/P DF48650G/S/P DF48450CG/S/P DF48450DG/S/P DF48450F/S/P	1200
DF60650CG/S/P DF60650DG/S/P DF60650F/S/P	1200
GAS RANGE	
GR304	600
GR366 GR364C GR364G	800 [†]
GR488 GR486C GR486G GR484CG GR484DG	1200
GR606CG GR606DG	1200
INDUCTION RANGE	
IR30450/S/T IR30451/S/P	600
IR36550/S/T IR36551/S/P	800 [†]
IR48751/S/P	1200
SEALED BURNER RANGETOP	
SRT304	600
SRT366	800 [†]
SRT364C SRT364G SRT362W	800 [†]
SRT486C SRT486G SRT484CG SRT484DG SRT484W	800 [†]

*Code-flex technology can be utilized to meet local codes and maximum airflow restrictions. Capture and performance may be reduced.

[†]Code-flex technology can be utilized on both blowers to achieve lower CFM ratings.

Ventilation Suggestions

Wolf Ventilation Blower Options

INTERNAL BLOWER (CFM)	600 INTERNAL	1200 INTERNAL
PRO LOW-PROFILE WALL HOOD		
VWLP3050P/S/6	•	
VWLP3650P/S/6	•	*
VWLP4850P/S/12		•
PRO WALL HOOD		
VW3050P/S/6	•	
VW3650P/S/6 VW4250P/S/6	•	*
VW4850P/S/12 VW5450P/S/12 VW6050P/S/12		•
PRO WALL CHIMNEY HOOD		
VWC3650P/S/6 VWC4250P/S/6	•	*
VWC4850P/S/12 VWC5450P/S/12		•
PRO ISLAND HOOD		
VI3650P/S/6 VI4250P/S/6	•	*
VI5450P/S/12 VI6650P/S/12		•
PRO HOOD LINER		
VL361950P/S/6 VL362250P/S/6	•	*
VL421950P/S/6 VL422250P/S/6	•	*
VL481950P/S/12 VL482250P/S/12		•
VL541950P/S/12 VL542250P/S/12		•
VL601950P/S/12 VL602250P/S/12		•
OUTDOOR WALL HOOD		
VWO3650P/S/12 VWO4850P/S/12 VWO6050P/S/12		•

*Requires sales accessory blower.

Wolf Appliance Residential Limited Warranty

FOR RESIDENTIAL USE

FULL TWO YEAR WARRANTY*

For two years from the date of original installation, this Wolf Appliance product warranty covers all parts and labor to repair or replace, under normal residential use, any part of the product that proves to be defective in materials or workmanship. All service provided by Wolf Appliance under the above warranty must be performed by Wolf Factory Certified Service, unless otherwise specified by Wolf Appliance, Inc. Service will be provided during normal business hours.

LIMITED FIVE YEAR WARRANTY

For five years from the date of original installation, Wolf Appliance will repair or replace the following parts that prove to be defective in materials or workmanship: gas burners (excludes appearance), electric heating elements, blower motors (ventilation hoods), electronic control boards, magnetron tubes and induction generators. If the owner uses Wolf Factory Certified Service, the service provider will repair or replace these parts with the owner paying for all other costs, including labor. If the owner uses non-certified service, the owner must contact Wolf Appliance, Inc. (using the information below) to receive repaired or replacement parts. Wolf Appliance will not reimburse the owner for parts purchased from non-certified service or other sources.

TERMS APPLICABLE TO EACH WARRANTY

The warranty applies only to products installed for normal residential use. The warranty applies only to products installed in any one of the fifty states of the United States, the District of Columbia or the ten provinces of Canada. This warranty does not cover any parts or labor to correct any defect caused by negligence, accident or improper use, maintenance, installation, service or repair.

THE REMEDIES DESCRIBED ABOVE FOR EACH WARRANTY ARE THE ONLY ONES THAT WOLF APPLIANCE, INC. WILL PROVIDE, EITHER UNDER THIS WARRANTY OR UNDER ANY WARRANTY ARISING BY OPERATION OF LAW. WOLF APPLIANCE, INC. WILL NOT BE RESPONSIBLE FOR ANY CONSEQUENTIAL OR INCIDENTAL DAMAGES ARISING FROM THE BREACH OF THIS WARRANTY OR ANY OTHER WARRANTY, WHETHER EXPRESS, IMPLIED OR STATUTORY.

Some states do not allow the exclusion or limitation of incidental or consequential damages, so the above limitation or exclusion may not apply to you. This warranty gives you specific legal rights and you may also have other legal rights that vary from state to state.

To receive parts and/or service and the name of Wolf Factory Certified Service nearest you, contact Wolf Appliance, Inc., P.O. Box 44848, Madison, WI 53744; check the Product Support section of our website, wolfappliance.com, email us at customerservice@subzero.com or call 800-222-7820.

*Stainless steel (doors, panels, handles, product frames and interior surfaces) and manufacturer provided, powder coated doors are covered by a limited 60-day parts and labor warranty for cosmetic defects.

*Replacement filters for ventilation hood recirculating kits are not covered by the product warranty.



Wolf Appliance Outdoor Limited Warranty*

FOR RESIDENTIAL USE

FULL ONE YEAR WARRANTY**

For one year from the date of original installation, this Wolf Appliance product warranty covers all parts and labor to repair or replace, under normal residential use, any part of the product that proves to be defective in materials or workmanship. All service provided by Wolf Appliance under the above warranty must be performed by Wolf Factory Certified Service, unless otherwise specified by Wolf Appliance, Inc. Service will be provided during normal business hours.

LIMITED FIVE YEAR WARRANTY

For five years from the date of original installation, Wolf Appliance will repair or replace the following parts that prove to be defective in materials or workmanship: stainless steel briquette trays, gas valves, drip pans, electronic control boards and electric heating elements. If the owner uses Wolf Factory Certified Service, the service provider will repair or replace these parts with the owner paying for all other costs, including labor. If the owner uses non-certified service, the owner must contact Wolf Appliance, Inc. (using the information below) to receive repaired or replacement parts. Wolf Appliance will not reimburse the owner for parts purchased from non-certified service or other sources.

LIMITED LIFETIME WARRANTY

For the life of the product, Wolf Appliance will repair or replace the following parts that prove to be defective in materials or workmanship: all stainless steel components (excludes surface corrosion, scratches, discoloration, weather and atmospheric related staining and minor surface rust and oxidation). If the owner uses Wolf Factory Certified Service, the service provider will repair or replace these parts with the owner paying for all other costs, including labor. If the owner uses non-certified service, the owner must contact Wolf Appliance, Inc. (using the information below) to receive repaired or replacement parts. Wolf Appliance will not reimburse the owner for parts purchased from non-certified service or other sources.

TERMS APPLICABLE TO EACH WARRANTY

The warranty applies only to products installed for normal residential use. The warranty applies only to products installed in any one of the fifty states of the United States, the District of Columbia or the ten provinces of Canada. This warranty does not cover any parts or labor to correct any defect caused by negligence, accident or improper use, maintenance, installation, service or repair.

THE REMEDIES DESCRIBED ABOVE FOR EACH WARRANTY ARE THE ONLY ONES THAT WOLF APPLIANCE, INC. WILL PROVIDE, EITHER UNDER THIS WARRANTY OR UNDER ANY WARRANTY ARISING BY OPERATION OF LAW. WOLF APPLIANCE, INC. WILL NOT BE RESPONSIBLE FOR ANY CONSEQUENTIAL OR INCIDENTAL DAMAGES ARISING FROM THE BREACH OF THIS WARRANTY OR ANY OTHER WARRANTY, WHETHER EXPRESS, IMPLIED OR STATUTORY.

Some states do not allow the exclusion or limitation of incidental or consequential damages, so the above limitation or exclusion may not apply to you. This warranty gives you specific legal rights and you may also have other legal rights that vary from state to state.

To receive parts and/or service and the name of Wolf Factory Certified Service nearest you, contact Wolf Appliance, Inc., P.O. Box 44848, Madison, WI 53744; check the Product Support section of our website, wolfappliance.com, email us at customerservice@subzero.com or call 800-222-7820.

*Product must be approved for outdoor use, designated by model and serial number.

**Stainless steel (doors, panels, handles, product frames and interior surfaces) are covered by a limited 60-day parts and labor warranty for cosmetic defects.





WOLFAPPLIANCE.COM