



NEW OUTDOOR WALL HOOD

---

DESIGN GUIDE

## TABLE OF CONTENTS

---

3	OUTDOOR WALL HOOD
4	OVERALL DIMENSIONS
5	PLANNING INFORMATION
5	ELECTRICAL REQUIREMENTS
6	VENTILATION SUGGESTIONS
7	WOLF WARRANTY



Features and specifications are subject to change at any time without notice. Visit [wolfappliance.com/specs](http://wolfappliance.com/specs) for the most up-to-date information.

Throughout this guide, dimensions may vary by  $\pm 1/8"$  (3). Dimensions in parentheses are millimeters unless otherwise specified.

## OUTDOOR WALL HOOD

### Outdoor Wall Hood

The new Outdoor Wall Hood is specifically designed for outdoor use. Crafted of heavy-duty stainless steel, it is available in three widths. The dishwasher-safe filters can be removed easily for cleaning.

### OUTDOOR WALL HOOD

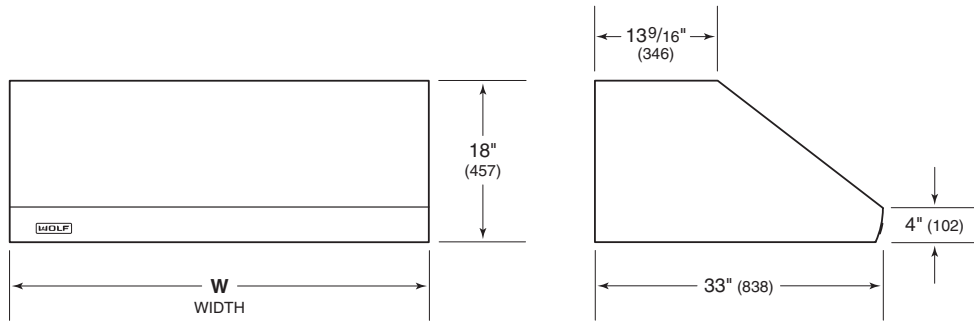


36" / 48" / 60" WIDTHS

# OUTDOOR WALL HOOD

## Overall Dimensions

### OUTDOOR WALL HOOD



WIDTH	W
36" Hood	36" (914)
48" Hood	48" (1219)
60" Hood	60" (1524)

### Planning Information

Install the hood 36" (914) to 42" (1067) from the bottom of the hood to the countertop.

Outdoor Wall Hoods require an internal, in-line, or remote blower assembly, available through an authorized Wolf dealer. For local dealer information, visit the find a showroom section of our website, wolfappliance.com. Refer to specific installation instructions provided with each blower assembly.

The blower will vary in size and is dictated by the cooking unit, volume of air, and length of the duct run. Refer to Ventilation Suggestions on page 6.

Outdoor Wall Hoods accommodate a 10" (254) round duct and have a vertical discharge. Consult a qualified HVAC professional for specific installation and ducting applications.

Optional stainless steel duct covers, in multiple heights, are available through your authorized Wolf dealer.

### Electrical Requirements

Installation must comply with all applicable electrical codes.

Locate the electrical supply as shown in the illustrations and chart below. A separate circuit, servicing only this appliance is required.

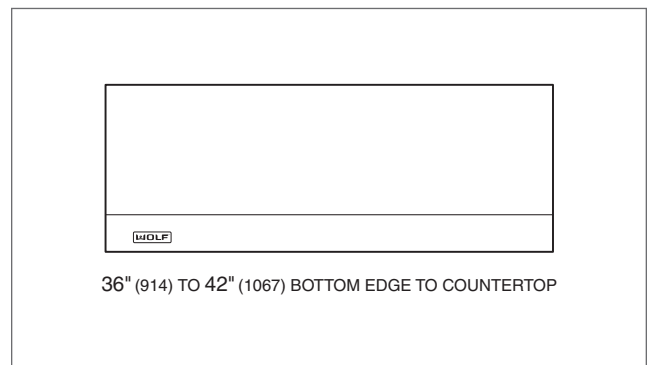
A ground fault circuit interrupter (GFCI) is required to reduce the risk of electrical shock.

#### ELECTRICAL REQUIREMENTS

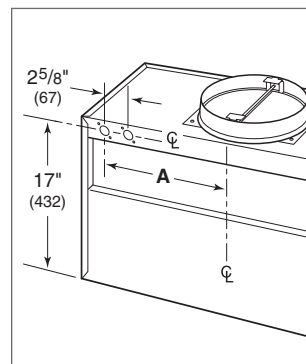
Electrical Supply	grounded, 120 VAC, 60 Hz
Service	15 amp dedicated circuit

#### ELECTRICAL KNOCKOUT LOCATION

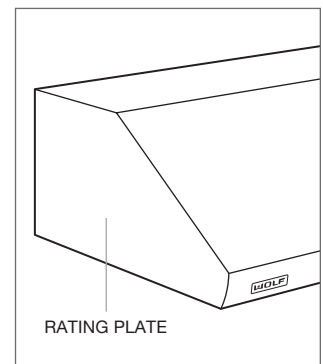
	<b>A</b>
36" (914) Hood	16" (406)
48" (1219) Hood	22" (559)
60" (1524) Hood	28" (711)



Hood location



Electrical knockout location



Rating plate location

**Blower Assemblies**

For the Outdoor Wall Hood, an internal, in-line, or remote blower must be selected to accommodate the cooking appliance, CFM requirements, and homeowner preferences. Internal, in-line, and remote blowers are available through an authorized Wolf dealer. For local dealer information, visit the find a showroom section of our website, wolfappliance.com.

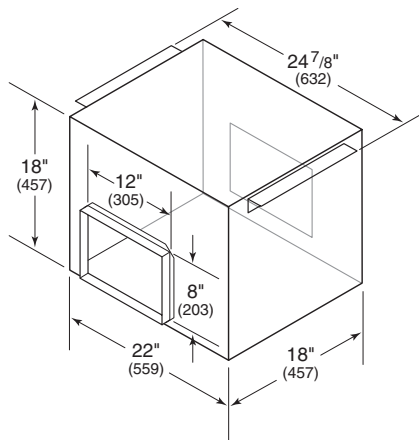
Refer to the illustrations below for dimensions of Wolf in-line and remote blowers. Installation instructions shipped with each Wolf ventilation product provide detailed specifications. These instructions can also be found on our website, wolfappliance.com/specs.

**BLOWER OPTIONS**

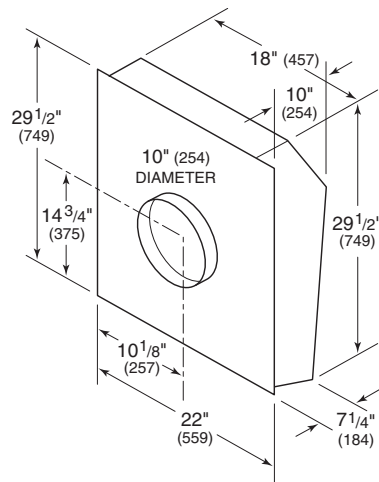
The chart below provides blower options for Outdoor Wall Hoods.

BLOWER OPTIONS	36" HOOD	48" HOOD	60" HOOD
1200 CFM Internal	•	•	•
1100 CFM In-Line	•	•	•
1200 CFM Remote	•	•	•
1500 CFM Remote	•	•	•

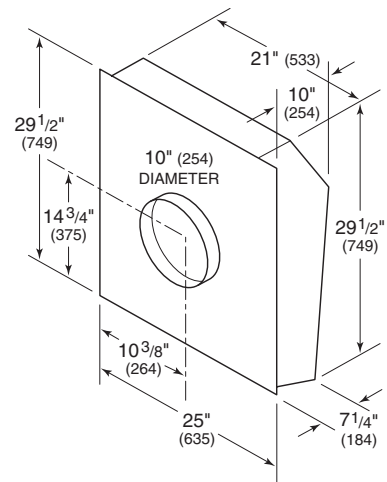
**1100 CFM IN-LINE**



**1200 CFM REMOTE**



**1500 CFM REMOTE**



Sub-Zero, Sub-Zero & Design, Sub-Zero & Snowflake Design, Dual Refrigeration, The Living Kitchen, Great American Kitchens The Fine Art of Kitchen Design, Wolf, Wolf & Design, Wolf Gourmet, W & Design, red colored knobs, Cove, and Cove & Design are registered trademarks and service marks of Sub-Zero Group, Inc. and its subsidiaries. All other trademarks are property of their respective owners in the United States and other countries.

## Wolf Appliance Residential Limited Warranty

FOR RESIDENTIAL USE

### FULL TWO YEAR WARRANTY\*

For two years from the date of original installation, this Wolf Appliance product warranty covers all parts and labor to repair or replace, under normal residential use, any part of the product that proves to be defective in materials or workmanship. All service provided by Wolf Appliance under the above warranty must be performed by Wolf factory certified service, unless otherwise specified by Wolf Appliance, Inc. Service will be provided during normal business hours.

### LIMITED FIVE YEAR WARRANTY

For five years from the date of original installation, Wolf Appliance will repair or replace the following parts that prove to be defective in materials or workmanship: gas burners (excludes appearance), electric heating elements, blower motors (ventilation hoods), electronic control boards, magnetron tubes and induction generators. If the owner uses Wolf factory certified service, the service provider will repair or replace these parts with the owner paying for all other costs, including labor. If the owner uses non-certified service, the owner must contact Wolf Appliance, Inc. (using the information below) to receive repaired or replacement parts. Wolf Appliance will not reimburse the owner for parts purchased from non-certified service or other sources.

### TERMS APPLICABLE TO EACH WARRANTY

The warranty applies only to products installed for normal residential use. The warranty applies only to products installed in any one of the fifty states of the United States, the District of Columbia or the ten provinces of Canada. This warranty does not cover any parts or labor to correct any defect caused by negligence, accident or improper use, maintenance, installation, service or repair.

THE REMEDIES DESCRIBED ABOVE FOR EACH WARRANTY ARE THE ONLY ONES THAT WOLF APPLIANCE, INC. WILL PROVIDE, EITHER UNDER THIS WARRANTY OR UNDER ANY WARRANTY ARISING BY OPERATION OF LAW. WOLF APPLIANCE, INC. WILL NOT BE RESPONSIBLE FOR ANY CONSEQUENTIAL OR INCIDENTAL DAMAGES ARISING FROM THE BREACH OF THIS WARRANTY OR ANY OTHER WARRANTY, WHETHER EXPRESS, IMPLIED OR STATUTORY.

Some states do not allow the exclusion or limitation of incidental or consequential damages, so the above limitation or exclusion may not apply to you. This warranty gives you specific legal rights and you may also have other legal rights that vary from state to state.

To receive parts and/or service and the name of Wolf factory certified service nearest you, contact Wolf Appliance, Inc., P.O. Box 44848, Madison, WI 53744; check the contact & support section of our website, [wolfappliance.com](http://wolfappliance.com), email us at [customerservice@subzero.com](mailto:customerservice@subzero.com) or call 800-222-7820.

\*Stainless steel (doors, panels, handles, product frames and interior surfaces) are covered by a limited 60-day parts and labor warranty for cosmetic defects.

\*Replacement filters for ventilation hood recirculating kits are not covered by the product warranty.





[WOLFAPPLIANCE.COM](http://WOLFAPPLIANCE.COM)