



Dishwasher

Use and Care Guide

CLEANING, MAINTENANCE,
AND MORE



Contents

- 4 Safety Precautions
- 6 Dishwasher Features
- 7 Dishwasher Operation
- 18 Care Recommendations
- 21 Troubleshooting
- 23 Cove Warranty

Customer Care

The model and serial number are printed on the enclosed product registration card. Both numbers are also listed on the product rating plate. Refer to page 6 for rating plate location. For warranty purposes, you will also need the date of installation and name of your authorized Cove dealer. Record this information below for future reference.

SERVICE INFORMATION

Model Number _____

Serial Number _____

Date of Installation _____

Certified Service Name _____

Certified Service Number _____

Authorized Dealer _____

Dealer Number _____

If your product ever needs attention, be sure to use a Cove Factory Certified Service provider recommended by our Customer Care Center, or select one from our list of providers available at coveappliance.com/locator. All Factory Certified Service providers are carefully selected and thoroughly trained by us.

Important Note

To ensure this product is installed and operated as safely and efficiently as possible, take note of the following types of highlighted information throughout this guide:

IMPORTANT NOTE highlights information that is especially important.

⚠ CAUTION

Indicates a situation where minor injury or product damage may occur if instructions are not followed.

⚠ WARNING

States a hazard that may cause serious injury or death if precautions are not followed.

IMPORTANT NOTE: Throughout this guide, dimensions in parentheses are millimeters unless otherwise specified.

IMPORTANT INSTRUCTIONS

IMPORTANT SAFETY INSTRUCTIONS

▲ WARNING

When using your dishwasher, follow basic precautions, including the following:

- Read all instructions before using the dishwasher.
- Use the dishwasher only for its intended function.
- Certified residential dishwashers are not intended for licensed food establishments.
- Use only detergents or wetting agents recommended for use in a dishwasher and keep them out of the reach of children.
- When loading items to be washed, locate sharp items so they are not likely to damage the door seal, and load sharp knives with the handles up to reduce the risk of injuries.
- Do not wash plastic items unless they are marked "dishwasher safe" or the equivalent. For unmarked plastic items, check the manufacturer's recommendations.
- Do not tamper with controls.
- Do not operate your dishwasher unless all enclosure panels are properly in place.
- Do not abuse, sit on, or stand on the door or dish rack of the dishwasher.
- To avoid a tripping hazard, do not leave the dishwasher door open.
- To reduce the risk of injury, do not allow children to play in or on a dishwasher.
- Remove the door to the washing compartment when removing an old dishwasher from service or discarding it.
- Under certain conditions, hydrogen gas may be produced in a hot water system that has not been used for two or more weeks. HYDROGEN GAS IS EXPLOSIVE. If the hot water system has not been used for two or more weeks, before using the dishwasher, turn on all hot water faucets and let the water flow from each for several minutes. This releases any accumulated hydrogen gas. As the gas is flammable, do not smoke or use an open flame during this time.
- Only wash cycles with the Sani Rinse option selected have been designed to meet the NSF/ANSI 184 performance standard for soil removal and sanitization efficacy. There is no intention, either directly or indirectly, that all cycles on a certified machine have passed the sanitization performance test.
- Any opening into the adjacent cabinet must meet the following: the longest dimension of the opening shall not be more than 1½" (38).

IMPORTANT INSTRUCTIONS

▲ WARNING

- Do not use the dishwasher until it is completely installed.
- Do not push down on the open door.

▲ WARNING

PROPOSITION 65 FOR CALIFORNIA RESIDENTS

Cancer and Reproductive Harm—
www.P65Warnings.ca.gov

▲ WARNING

⚡ DANGEROUS VOLTAGE.

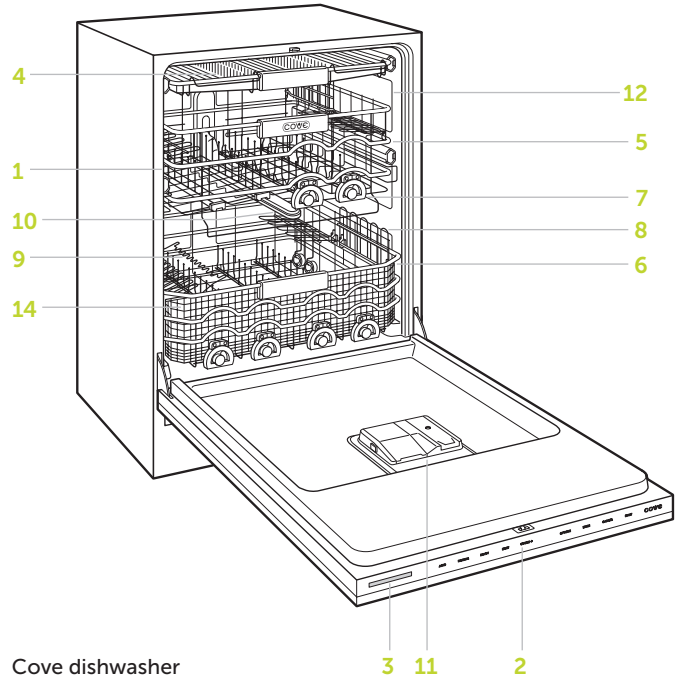
SAVE THESE INSTRUCTIONS

Dishwasher Features

Dishwasher Features

FEATURES

1	Product Rating Plate
2	Hidden Control Panel
3	Control Panel Display
4	Removable Upper Silverware Rack
5	Height-Adjustable Middle Rack
6	Lower Rack
7	Fold-Down Tine Adjustment
8	Fold-Down Shelf
9	Stemware Cradle
10	Middle Spray Arm
11	Detergent/Rinse Aid Dispenser
12	LED Lit Interior
13	Status Light (right side, below door)
14	Lower Rack Utensil Baskets



Getting Started

We know you are eager to start using your Cove dishwasher, but before you do, please take some time to read this use and care guide. It will be to your benefit to familiarize yourself with the safety practices, features, operation, and care recommendations of your Cove dishwasher.

NOTE: Every unit is tested prior to shipment and may contain residual water.

Prior to Use

For water softener models only, use the test strip provided to determine the water hardness. Refer to User Setup on page 11 to adjust the hardness setting.

Fill the salt compartment with water prior to adding salt for the first time. Refer to Water Softener on page 17 for more information.

For all models, to ensure the dishwasher is clean and all residual oil from the manufacturing process has been removed, the dishwasher must go through the following procedure:

- 1 Add dishwasher detergent to the dispenser. If the door is closed, touch the button on the left to open. Refer to page 16 for more information.
- 2 Slide the door closed.
- 3 Run a Quick cycle.

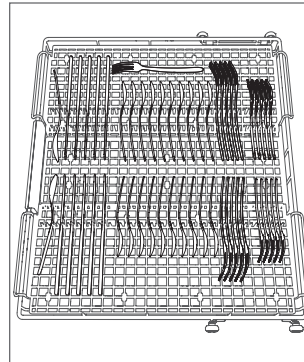
Loading

Remove all labels and scrape food debris from cookware and dishes before placing in the dishwasher. Avoid nesting plates, bowls, and silverware.

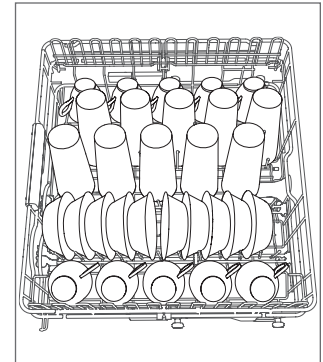
Plate Arrangement

The illustrations below show typical arrangement for the upper, middle, and lower racks.

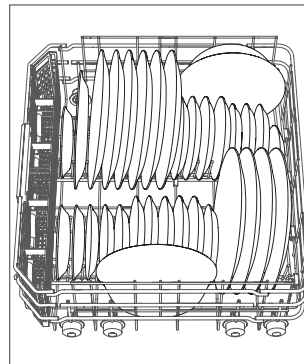
NOTE: The spray arms must rotate freely before starting a wash cycle.



Upper silverware rack



Middle rack



Lower rack

Dishwasher Operation

CONTROL PANEL



Control panel

WASH CYCLES

Setting a wash cycle:

- 1 Touch the desired wash cycle or touch Cycles+ multiple times to scroll to the desired wash cycle.
- 2 Touch Start and close the door within 4 seconds.

NOTE: To incorporate a cycle option to the wash cycle, touch Options before touching Start. Refer to Cycle Options. Options vary according to selected wash cycle. To change the cycle after touching Start, touch Cancel.

CYCLE OPTIONS

OPTION	DESCRIPTION
Delay Start	Delays the start of the wash cycle by 1–12 hours in 1-hour increments.
High Temp Wash	Increases the main wash water temperature and extends the cycle time by 10 minutes.
Sani Rinse*	Increases the rinse water temperature and extends the rinse time by 15 minutes.
Extended Dry	Extends the dry time by 30 minutes.
Extra Dry	Increases the rinse water temperature and extends the dry time by 30 minutes.

*Sanitizes per NSF/ANSI standard 184 for residential dishwashers.

NOTE: Use High Temp Wash (if available) to improve wash performance. Use Sani Rinse, Extra Dry, and Extended Dry (if available) to improve drying performance.

Setting cycle options:

- 1 Select the desired wash cycle.
- 2 Touch Options.
- 3 Touch Options multiple times to scroll through cycle options.
- 4 Touch Enter to select the desired option and continue to touch Enter until the desired setting appears on the display.
- 5 Touch Options again to select additional options.
- 6 To start the cycle, touch Start and close the door within 4 seconds.

To interrupt a cycle:

- 1 Open the door.
- 2 To restart the cycle, touch Start and close the door within 4 seconds.

To cancel a cycle:

- 1 Open the door.
- 2 Touch Cancel and follow the instructions on the display.

Dishwasher Operation

Dishwasher Operation

WASH CYCLES

CYCLE	CYCLE TIME*	DRY TIME	WATER USAGE	DETERGENT†	OPTIONS
AUTO	2:05 to 3:15	:40	4.1 to 8.1 gal	2 tbsp	Delay Start, High Temp Wash, Sani Rinse, Extended Dry, Extra Dry
NORMAL‡	2:40	:40	2.1 to 9.1 gal	2 tbsp	Delay Start, High Temp Wash, Sani Rinse, Extended Dry, Extra Dry
HEAVY	3:04	:40	7.1 gal	2 tbsp	Delay Start, High Temp Wash, Sani Rinse, Extended Dry, Extra Dry
QUICK**	:58	:10	3.1 gal	½ tbsp	Extra Dry

CYCLES+	CYCLE TIME*	DRY TIME	WATER USAGE	DETERGENT†	OPTIONS
POTS & PANS	3:55	:40	8.1 gal	2 tbsp	Delay Start, High Temp Wash, Sani Rinse, Extended Dry, Extra Dry
SOAK & SCRUB	5:35	:40	8.1 gal	2 tbsp	Delay Start, High Temp Wash, Sani Rinse, Extended Dry, Extra Dry
LIGHT**	1:53	:15	3.1 gal	2 tbsp	Delay Start, High Temp Wash, Sani Rinse, Extended Dry, Extra Dry
CHINA/CRYSTAL	1:58	:40	3.1 gal	½ tbsp	Delay Start, Extended Dry
RINSE/HOLD	:15	:00	2.1 gal	0 tbsp	
PLASTICS	2:32	:45	3.1 gal	1 tbsp	Delay Start, High Temp Wash, Sani Rinse, Extended Dry, Extra Dry
ENERGY	2:08	:40	3.1 gal	2 tbsp	Delay Start, Extended Dry
EXTRA QUIET	3:05	:40	4.2 gal	2 tbsp	Delay Start, Extended Dry, Extra Dry

*Includes dry time without options. †Powdered detergent. ‡Used for energy-efficiency rating without options, all rack tines in the vertical position, and adjustable middle rack in the upper (lower for ADA height models) position. **Shortened cycle time impacts drying performance.

Dishwasher Operation

Dishwasher Operation

CYCLE DESCRIPTION

CYCLE	DESCRIPTION
AUTO	For all soil levels. Automatically adjusts to the optimal wash time, water temperature, and water consumption.
NORMAL	For normally soiled dishes from typical daily use. Average wash time, water temperature, and water consumption.
HEAVY	For heavily soiled dishes. Slightly increases wash time, water temperature, and water consumption.
QUICK	For lightly soiled dishes. Reduces overall wash time.

CYCLES+	DESCRIPTION
POTS & PANS	For heavily soiled pots, pans, and casserole dishes. Increases wash time, water temperature, and water consumption.
SOAK & SCRUB	For the most heavily soiled dishes. Significantly increases wash time, water temperature, and water consumption.
LIGHT	For very lightly soiled dishes. Decreases wash time, dry time, and water temperature.
CHINA/CRYSTAL	For temperature sensitive and lightly soiled dishes. Decreases wash time and water temperature.
RINSE/HOLD	For all soil levels. Rinses and holds dishes for a future wash cycle.
PLASTICS	For regularly soiled plastic dishes. Increases final rinse water temperature and increases drying fan time.
ENERGY	For regularly soiled dishes. Decreases water temperature and extends cycle time.
EXTRA QUIET	For lightly soiled dishes. Reduces pump speeds.

Dishwasher Operation

Dishwasher Operation

USER SETUP

The user setup feature allows the user to select preferences as listed in the chart below.

USER OPTIONS

Language	Select language.
Water Hardness	Adjust water hardness setting.
Connect	Turn connect on or off.*
Tone Level	Adjust tone level.
Notification	Turn end-of-cycle chime to off, low, or high. If set to off, also disables the end-of-cycle light.
Scroll Rate	Adjust display scroll rate.
Display Contrast	Adjust display contrast.
Display Brightness	Adjust display brightness.
Status Light	Adjust status light brightness and duration to off, low (2 hours), or high (8 hours).
Rinse Aid Dosing	Adjust amount of rinse aid dispensed.
Showroom Mode	For showroom use only.
Reset All	Restore factory settings.

*Connect must be turned on to connect to the Sub-Zero Group Owners App.

Setting user options:

- 1 Touch Cancel twice.
- 2 Touch and hold Options for approximately 10 seconds until "User Set Up. Press Options or Cancel to Exit." appears on the display.
- 3 Touch Options multiple times to scroll to the desired option.
- 4 Touch Enter multiple times to scroll to the desired setting.
- 5 Touch Cancel to save settings and exit user setup.

WATER HARDNESS

For water softener models only, use the test strip provided and the chart below to determine the appropriate water hardness setting.

SETTING	HARDNESS
0 (Default)	0–4 gpg
1	5–6 gpg
2	7–8 gpg
3	9–11 gpg
4	12–13 gpg
5	14–15 gpg
6	16–17 gpg
7	18–19 gpg
8	20–22 gpg
9	23–24 gpg
10	25+ gpg

Connect This Appliance

Connect this appliance to remotely monitor and control it. Connecting requires a wireless router, an Internet connection with a network name and password, and a compatible mobile device. There is no limit to the number of appliances you can connect to an account. Connect products from multiple homes to the same account. Connecting appliances is optional.

Connect today to:

- Receive alerts, status updates, and routine maintenance notifications.
- Streamline everyday tasks with the help of remote controls and voice commands.
- Quickly access user manuals and cleaning and maintenance tips.

Connect

Connect must be turned on before connecting to the Sub-Zero Group Owner's App.

To turn connect on:

- 1 Touch and hold Options for approximately 10 seconds until "User Set Up. Press Options or Cancel to Exit." appears on the display.
- 2 Touch Options multiple times to scroll to Connect, then touch Enter.
- 3 Touch Cancel to exit.

To connect:

- 1 Download the free Sub-Zero Group Owner's App from the Apple App Store or Google Play.
- 2 With Bluetooth® enabled on the device, stand within a few feet of the appliance, open the app, and follow the on-screen instructions.
- 3 Log in or create an account.
- 4 Tap Add An Appliance to add appliances. To identify which appliance to pair, open the appliance door.
- 5 Tap + next to the appliance to select it. If identical appliances appear, an additional step identifies which appliance to pair.
- 6 Tap Pair Via Bluetooth®. Wait for setup to complete, then tap Set Up Your Appliance For Pairing.
- 7 Tap Choose a Network on the Connect Your Appliance to Wi-Fi screen.
- 8 Select the home Wi-Fi network and enter the network password.
- 9 Tap Turn on Notifications to allow notifications about the appliance (for example, door left ajar).
- 10 Tap Done on the Success screen to complete the setup.

Child Lock

The child lock feature prevents unwanted control panel operation. The lock feature will remain on even after a power outage.

To turn the child lock feature on or off:

- 1 To turn on, touch and hold Heavy for approximately 10 seconds until "Child Lock: On" appears on the display. "Locked" will appear on the display until the child lock is turned off.
- 2 To turn off, touch and hold Heavy for approximately 10 seconds until "Child Lock: Off" appears on the display.

IMPORTANT NOTE: Child lock and Sabbath mode cannot be turned on at the same time.

Sabbath Mode

Sabbath mode disables all lights and sounds and prevents changes to all dishwasher operation. Sabbath mode remains on even after a power outage.

To turn Sabbath mode on or off:

- 1 To turn on, touch and hold Quick for approximately 10 seconds until "Sabbath" appears on the display. "Sabbath" appears on the display until Sabbath mode is turned off.
- 2 To turn off, touch and hold Quick for approximately 10 seconds until "Sabbath Off" appears on the display.

IMPORTANT NOTE: Child lock and Sabbath mode cannot be turned on at the same time.

Lights

STATUS LIGHT

The status light illuminates to indicate the status of the cycle.

LIGHT	CYCLE STATUS
Blue	A delayed start has been selected. Touch Start each time the door is opened prior to the start time.
Red	The cycle has started.
Green	The cycle is complete.
No Light	The door was not closed within 4 seconds after touching Start, the cycle has been complete for more than two hours (low status light setting)/eight hours (high status light setting), or the door was opened after cycle completion.

INTERIOR LIGHT

The interior lights turn on when the door is open. The lights remain on for 10 minutes, dim after 10 minutes, and turn off after 15 minutes. Any door movement turns the lights on.

Dishwasher Racks

RACK REMOVAL

All of the racks can be removed. If desired, the dishwasher can be operated with any of the racks removed.

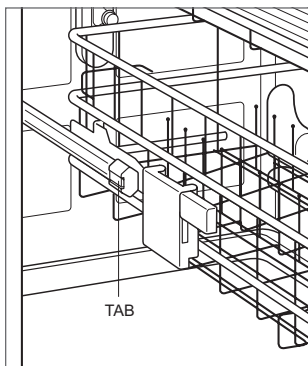
To remove the upper and middle racks:

IMPORTANT NOTE: If the middle rack is removed, the spray nozzle must be installed before starting a cycle. Refer to the illustration below.

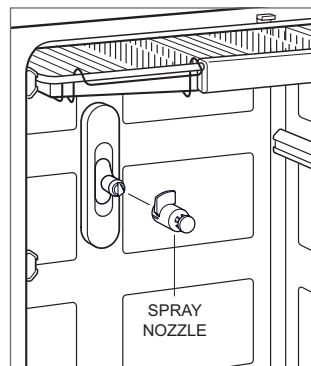
- 1 Pull the rack out to full extension.
- 2 Pull out on the tab on the side of the rack clips, then remove the clips from the end of each rack glide. Refer to the illustration below.
- 3 Pull the rack forward to remove.

To remove the lower rack:

- 1 Pull the rack out to full extension.
- 2 Lift up and out.



Rack removal



Spray nozzle installation

HEIGHT-ADJUSTABLE MIDDLE RACK

Each side of the rack is adjustable. Adjust one or both sides to accommodate large objects in the lower rack.

To move the rack down:

- 1 Pull the empty rack out to full extension.
- 2 Lift the green adjustment levers on each side and allow the rack to move downward to the desired location. The adjustment levers are only needed to move the rack down. Refer to the illustration below.

To move the rack up:

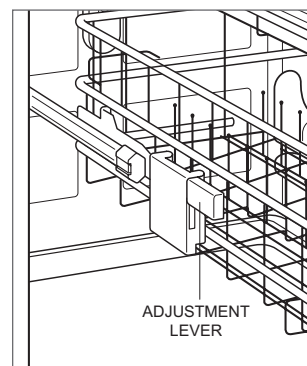
- 1 Pull the rack out to full extension.
- 2 Lift up on the rack above the adjustment levers.

FOLD-DOWN TINES

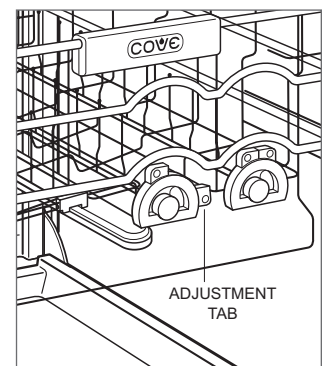
Some of the tines can be adjusted to accommodate a variety of dinnerware.

To adjust the fold-down tines:

- 1 Pull the rack out to full extension.
- 2 Push and turn the green adjustment tabs to fold down the desired tines. Refer to the illustration below.



Height adjustment



Tine adjustment

Dishwasher Racks

FOLD-DOWN SHELVES

The lower and middle racks have fold-down shelves that can be adjusted to accommodate smaller items and support stemware.

To adjust the fold-down shelves:

- 1 Rotate the shelf down. For ADA height models, lift the shelf slightly, then rotate the shelf down to engage the support. Refer to the illustrations below.

UTENSIL BASKETS

The utensil baskets are located at the front of the lower rack and can be removed.

To remove the utensil baskets:

- 1 Pull the lower rack out to full extension.
- 2 Lift the basket up and out.

⚠ WARNING

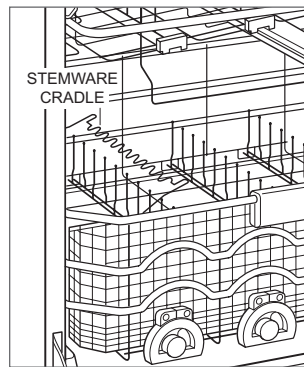
Knives and other utensils with sharp points must be loaded in the baskets with their points down or placed in a horizontal position.

STEMWARE CRADLE

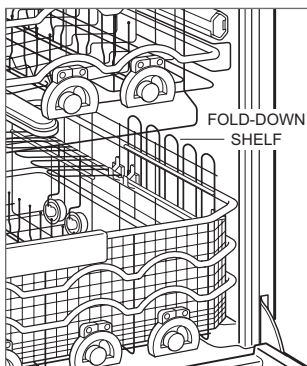
The lower rack has a stemware cradle that can be adjusted to accommodate stemware.

To adjust the stemware cradle:

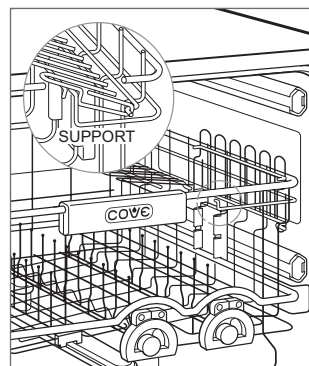
- 1 Rotate the cradle downward. Refer to the illustration below.



Stemware cradle



Fold-down shelf



Fold-down shelf (ADA height)

Dispenser

The dispenser located on the interior of the door has one compartment for detergent and another for rinse aid. Refer to the illustrations below.

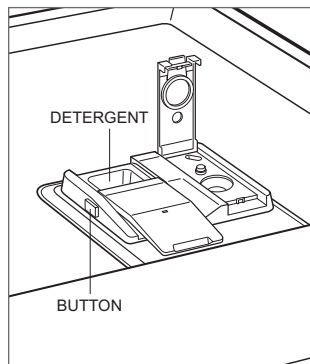
Using too much detergent with very soft water may cause glassware to become cloudy. For liquid, gel, and powder detergents only, adjust the amount of detergent based on water hardness. Refer to the chart below.

HARDNESS	FILL LEVEL
0–3 gpg	1/3
4–8 gpg	2/3
9+ gpg	Full

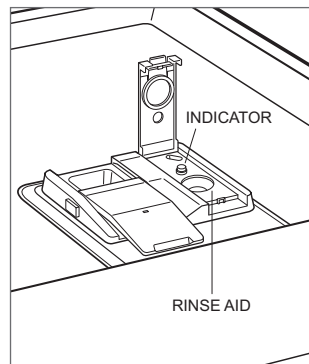
NOTE: Cove does not recommend detergent for prewash.

NOTE: Always use rinse aid even if the detergent includes rinse aid.

NOTE: Verify the inside of the dispenser and hands are dry prior to inserting detergent.



Detergent dispenser



Rinse aid dispenser

To add dishwasher detergent:

- 1 Add detergent to the compartment on the left.
- 2 Slide the cover closed.

To open the door once closed, touch the button on the side of the dispenser.

To add rinse aid:

- 1 Lift the tab of the cover on the right.
- 2 Add rinse aid. The rinse aid compartment is full when the indicator appears the color of the rinse aid.
- 3 Wipe away any rinse aid that may have spilled.

When rinse aid is low, "Add rinse aid. Press Enter once added, or press Cancel to ignore." appears on the display.

⚠ CAUTION

Do not add anything other than dishwasher detergent or a dishwasher cleaner to the detergent compartment and rinse aid to the rinse aid compartment.

Water Softener

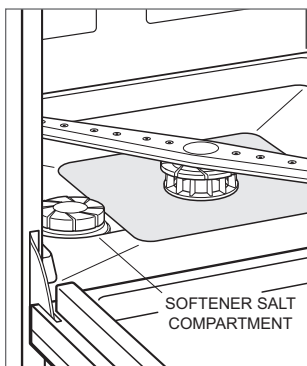
For water softener models only, a salt compartment is located at the bottom of the interior. Refer to the illustration below.

Prior to filling the salt compartment for the first time, fill the compartment with water, then add salt. Water does not have to be added with subsequent refills.

When softener salt is low, "Add salt. Press Enter once added, or press Cancel to ignore." appears on the display.

To add softener salt:

- 1 Pull the lower rack forward and if necessary, turn the lower spray arm away from the compartment cover.
- 2 Turn the cover counterclockwise to remove. It is normal for the reservoir to contain water.
- 3 Fill the compartment completely with dishwasher softener salt.
- 4 Once full, clean any excess salt from the threads of the salt compartment, then turn the cover clockwise to secure.
- 5 Run a Quick cycle.



Softener salt compartment

⚠ CAUTION

Do not add anything other than dishwasher salt to the salt compartment.

The water softener must regenerate periodically to maintain water quality. When necessary, the regeneration process starts automatically before the next wash cycle and lasts approximately 20 minutes. The wash cycle begins after the regeneration process is complete. "Water softener active. Press Start." appears on the display during the regeneration process. To continue, touch Start and close the door.

Cleaning

SPRAY ARMS

The upper, middle, and lower spray arms are removable for cleaning.

To remove the upper spray arm:

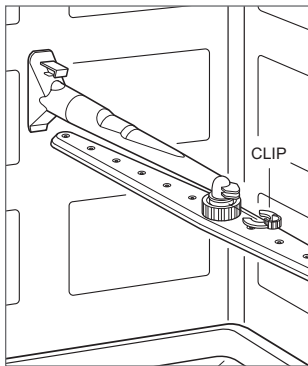
- 1 To access the upper spray arm, remove the upper silverware rack.
- 2 Push up and turn the spray arm assembly counterclockwise to remove.

To remove the middle spray arm:

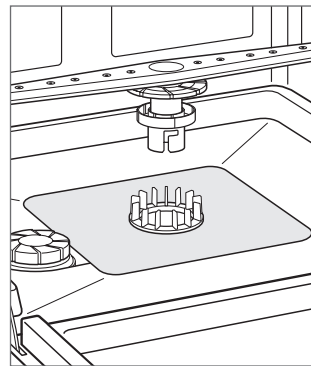
- 1 To access the middle spray arm, remove the middle rack, then remove the green clip. Refer to the illustration below.
- 2 Push up and turn the middle spray arm assembly counterclockwise to remove.

To remove the lower spray arm:

- 1 To access the lower spray arm, remove the lower rack.
- 2 Turn the lower spray arm assembly counterclockwise $\frac{1}{8}$ turn, then lift up to remove. Refer to the illustration below.



Middle spray arm removal



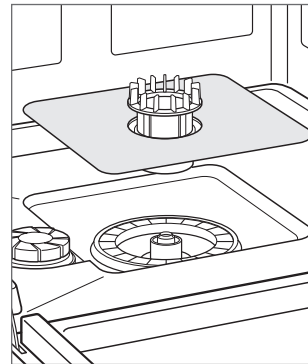
Lower spray arm removal

FILTER

The filter should be cleaned often. Heavy use may require more frequent cleaning. "Clean filter. Press Enter once cleaned, or press Cancel to ignore." appears on the display after 30 cycles. This is a reminder and is not based on the soil level of the filter.

To remove the filter:

- 1 Remove the lower rack and lower spray arm.
- 2 Apply light-downward pressure to the filter, then turn the filter counterclockwise $\frac{1}{8}$ turn
- 3 Lift the filter to remove. Refer to the illustration below.



Filter removal

Cleaning

DESCALE

"Descale Unit. Check manual." appears on the display when the dishwasher must be descaled. Use a dishwasher cleaner or citric acid to eliminate hard water residue and limescale buildup.

To descale:

- 1 Empty the dishwasher.
- 2 Place a dishwasher cleaner or 3 tbsp (44 ml) of citric acid into the detergent dispenser, then slide the cover closed.
- 3 Touch Cycles+ multiple times to scroll to Soak & Scrub.
- 4 Touch Start and close the door within 4 seconds.

Care Recommendations

Care Recommendations

CLEANING

Stainless steel	Use a nonabrasive stainless steel cleaner and apply with a soft lint-free cloth. To bring out the natural luster, lightly wipe surface with a water-dampened microfiber cloth followed by a dry polishing chamois. Always follow the grain of stainless steel.
Control panel	Wipe with a damp cloth.
Dishwasher racks	Refer to page 14 for removal. Wipe with a damp cloth.
Interior	Clean the interior approximately every three months. Wipe interior, door edge, and rubber seal with a damp cloth. If necessary, spray household cleaner on the cloth. Do not spray directly on the door. Use a dishwasher cleaner or citric acid. Refer to Descal on page 19.
Spray arms	Refer to page 18 for removal. Clean the spray arms every six months. Place under running water and use a paper clip or similar to remove debris from holes.
Filter	Refer to page 18 for removal. Clean with soap and water. For hard-to-remove soils or calcium deposits, use a soft brush. Do not use a wire brush or scouring pad.
Gasket	Wipe with a damp cloth. Use warm soapy water and a toothbrush. If mold or mildew are present, spray with 3% hydrogen peroxide.

Troubleshooting

OPERATION

Dishwasher does not operate.

- Verify power is on.
- Verify electrical power to dishwasher and home circuit breaker is on.
- Verify the child lock, Sabbath mode, and showroom mode are not turned on.

Dishes are not clean after the wash cycle.

- Verify the dishwasher is connected to a hot water supply.
- Verify spray arms turn freely by turning by hand, then verify the holes are clean and free of debris.
- Verify dishes are not placed too close together and cups and bowls are face-down and are not nested.
- Run a Heavy cycle.
- Contact Cove Customer Care at 800-222-7820 for recommendations.

Dishes are not dry after the wash cycle.

- Verify there is rinse aid in the dispenser (even if the detergent includes rinse aid).
- Select a wash cycle other than Quick or Light, which have limited dry time.
- Turn on Extra Dry and/or Extended Dry. Refer to Cycle Options on page 8.
- Increase the rinse aid dosing. Refer to User Setup on page 11.

Excess moisture on the tub at the end of the wash cycle.

- Verify there is rinse aid in the dispenser (even if the detergent includes rinse aid).

Streaks or spots appear on dishes and glassware.

- Increase the rinse aid dosing. Refer to User Setup on page 11.

“Error 800115. Check manual.” appears on the display.

- Verify the drain line and air gap (if applicable) are clear and free of debris.
- Verify the waste disposal is not clogged and the knock out (if applicable) was removed.
- Verify the drain line is not kinked and does not exceed 4' (1.2 m) above the dishwasher floor.
- Remove the lower spray arm and filter and check for blockage. Refer to Cleaning on page 18.

“Error 560186. Check manual.” or “Error 560187. Check manual.” appears on the display.

- Verify water supply is in the open position.
- Verify water supply line is not kinked.

“Error 980199. Power interruption. Check detergent. Press Cancel and restart cycle.” appears on the display.

- Add detergent, if necessary. Press Cancel and restart cycle.
- If error reappears, contact service.

“Error 700181. Call Service.” appears on the display.

- Clean filter. Refer to Cleaning on page 18.
- Run Rinse/Hold cycle.
- If error reappears, contact service.

“Descale Unit. Check manual.” appears on the display.

- The dishwasher must be descaled. Refer to Descale on page 19.

Troubleshooting

SERVICE

- Maintain the quality built into your product by contacting Cove Factory Certified Service. For the name of the nearest Cove Factory Certified Service, check the Product Support section of our website, coveappliance.com, or call Cove Customer Care at 800-222-7820.
- When contacting service, you will need the model and serial number of your product. Both numbers are listed on the product rating plate. Refer to page 6 for rating plate location.
- For warranty purposes, you will also need the date of installation and name of your authorized Cove dealer. This information should be recorded on page 3.

Cove Appliance Residential Limited Warranty

FOR RESIDENTIAL USE

FULL FIVE YEAR WARRANTY*

For five years from the date of original installation, this Cove Appliance product warranty covers all parts and labor to repair or replace, under normal residential use, any part of the product that proves to be defective in materials or workmanship. All service provided by Cove Appliance under the above warranty must be performed by Cove Factory Certified Service, unless otherwise specified by Cove Appliance, Inc. Service will be provided during normal business hours.

LIMITED LIFETIME WARRANTY

For the life of the product, Cove Appliance will repair or replace the following parts that prove to be defective in materials or workmanship: stainless steel tub and door liner (excludes surface corrosion, scratches, discoloration, weather and atmospheric related staining, and minor surface rust and oxidation). If the owner uses Cove Factory Certified Service, the service provider will repair or replace these parts with the owner paying for all other costs, including labor. If the owner uses non-certified service, the owner must contact Cove Appliance, Inc. (using the information below) to receive repaired or replacement parts. Cove Appliance will not reimburse the owner for parts purchased from non-certified service or other sources.

TERMS APPLICABLE TO EACH WARRANTY

The warranty applies only to products installed for normal residential use. The warranty applies only to products installed in any one of the fifty states of the United States, the District of Columbia, or the ten provinces of Canada. This warranty does not cover any parts or labor to correct any defect caused by negligence, accident or improper use, maintenance, installation, service or repair.

THE REMEDIES DESCRIBED ABOVE FOR EACH WARRANTY ARE THE ONLY ONES THAT COVE APPLIANCE, INC. WILL PROVIDE, EITHER UNDER THIS WARRANTY OR UNDER ANY WARRANTY ARISING BY OPERATION OF LAW. COVE APPLIANCE, INC. WILL NOT BE RESPONSIBLE FOR ANY CONSEQUENTIAL OR INCIDENTAL DAMAGES ARISING FROM THE BREACH OF THIS WARRANTY OR ANY OTHER WARRANTY, WHETHER EXPRESS, IMPLIED, OR STATUTORY.

Some states do not allow the exclusion or limitation of incidental or consequential damages, so the above limitation or exclusion may not apply to you. This warranty gives you specific legal rights, and you may also have other legal rights that vary from state to state.

To receive parts and/or service and the name of Cove Factory Certified Service nearest you, contact Cove Appliance, Inc., P.O. Box 44848, Madison, WI 53744; check the Product Support section of our website, coveappliance.com, email us at customerservice@subzero.com, or call 800-222-7820.

*Stainless steel (doors, panels, handles, product frames, and interior surfaces) are covered by a limited 60-day parts and labor warranty for cosmetic defects.



Contenido

- 4 Precauciones de seguridad
- 6 Funciones del lavavajillas
- 7 Uso del lavavajillas
- 18 Recomendaciones para el cuidado
- 21 Resolución de problemas
- 23 Garantía de Cove

Atención al cliente

El modelo y número de serie están impresos en la tarjeta de registro del producto adjunta. Ambos números también aparecen en la placa de datos del producto. Consulte en la página 6 la ubicación de la placa de datos. Para fines de la garantía, usted también necesitará la fecha de instalación y el nombre de su distribuidor autorizado Cove. Guarde la siguiente información para consultas posteriores.

INFORMACIÓN DE SERVICIO

Número de modelo

Número de serie

Fecha de la instalación

Nombre de servicio certificado

Número de servicio certificado

Distribuidor autorizado

Número de distribuidor

Si su producto alguna vez necesita servicio, asegúrese de acudir a un proveedor de Servicios certificados de fábrica de Cove y recomendado por nuestro Centro de atención al cliente o seleccione uno de nuestra lista de proveedores en coveappliance.com/locator. Nosotros cuidadosamente seleccionamos y rigurosamente capacitamos a todos los proveedores de servicios certificados.

Aviso importante

Para garantizar que este producto se instale y opere de la forma más segura y eficiente posible, tome nota de los siguientes tipos de información resaltada en este manual:

AVISO IMPORTANTE señala la información que es especialmente importante.

⚠ PRECAUCIÓN

Indica una situación en la que se pueden sufrir lesiones leves o provocar daños al producto, si no se siguen las instrucciones.

⚠ ADVERTENCIA

Indica peligro de que se produzcan heridas graves o incluso la muerte si no se siguen las precauciones.

AVISO IMPORTANTE: En toda esta guía, las dimensiones entre paréntesis son milímetros, a menos que se especifique lo contrario.

INSTRUCCIONES IMPORTANTES

INSTRUCCIONES IMPORTANTES DE SEGURIDAD

▲ ADVERTENCIA

Al utilizar el lavavajillas, siga las precauciones básicas, entre las que se encuentran:

- Lea las instrucciones en su totalidad antes de utilizar el lavavajillas.
- Utilice el lavavajillas solo para la función diseñada.
- Los lavavajillas residenciales certificados no están diseñados para establecimientos alimenticios autorizados.
- Utilice solo detergentes o agentes humectantes recomendados para ser utilizados en un lavavajillas y mantenerlos fuera del alcance de los niños.
- Al cargar los artículos que se van a lavar, coloque los artículos afilados de manera que no dañen el sello de la puerta y ponga los cuchillos afilados con los mangos hacia arriba para reducir el riesgo de lesiones.
- No lave los artículos de plástico a menos que estén marcados como "seguros para lavavajillas" o el equivalente. Para los artículos de plástico que no estén marcados, verifique las recomendaciones del fabricante.
- No modifique los controles.
- No opere su lavavajillas a menos que los paneles estén ubicados apropiadamente.
- No maltrate la puerta y la rejilla del lavavajillas; tampoco se pare ni se siente en estas.
- No deje abierta la puerta del lavavajillas para evitar riesgos de tropiezo.
- No permita a los niños que jueguen dentro o sobre el lavavajillas, para reducir el riesgo de lesiones.
- Retire la puerta del compartimiento de lavado cuando retire un lavavajillas viejo o lo deseche.
- Bajo ciertas condiciones, puede producirse gas hidrógeno en el sistema de agua caliente, si no se utilizó por dos o más semanas. **EL GAS HIDRÓGENO ES EXPLOSIVO.** Si el sistema de agua caliente no ha sido usado durante dos o más semanas, debe abrir todos los grifos de agua caliente y dejarla correr por varios minutos antes de usar el lavavajillas. Esto libera cualquier gas hidrógeno acumulado. Como el gas es inflamable, no debe fumar o usar una llama abierta en este momento.
- Solo los ciclos de lavado con la opción Sani Rinse (Enjuague con esterilización) seleccionada han sido diseñados para cumplir con la norma de rendimiento NSF/ANSI 184 para eliminación de suciedad y eficacia de desinfección. No hay intención, ya sea directa o indirectamente, de que todos los ciclos en una máquina certificada hayan superado la prueba de rendimiento de desinfección.
- Cualquier abertura en el gabinete contiguo debe cumplir lo siguiente: la dimensión más larga de la abertura no debe ser superior a 1½" (38).

INSTRUCCIONES IMPORTANTES

⚠ ADVERTENCIA

- No utilice el lavavajillas si su instalación aún no se ha completado.
- No empuje la puerta abierta hacia abajo.

⚠ ADVERTENCIA

**PROPOSICIÓN 65 PARA LOS RESIDENTES
DE CALIFORNIA**

Cáncer y daño reproductivo:
www.P65Warnings.ca.gov

⚠ ADVERTENCIA

 **VOLTAJE PELIGROSO.**

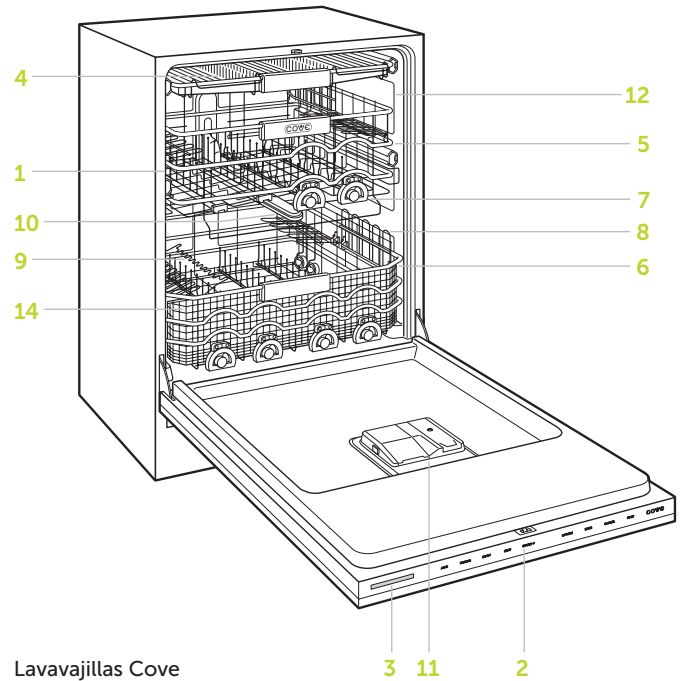
GUARDE ESTAS INSTRUCCIONES

Características del lavavajillas

Características del lavavajillas

CARACTERÍSTICAS

- | | |
|----|---|
| 1 | Placa de datos del producto |
| 2 | Panel de mandos oculto |
| 3 | Pantalla del panel de mandos |
| 4 | Rejilla superior desmontable para cubiertos |
| 5 | Rejilla media de altura ajustable |
| 6 | Rejilla inferior |
| 7 | Ajuste plegable con dientes |
| 8 | Estante plegable |
| 9 | Soporte para copas |
| 10 | Brazo de rociado medio |
| 11 | Dispensador de detergente/enjuague |
| 12 | Iluminación interior LED |
| 13 | Luz de estado (lado derecho, debajo de la puerta) |
| 14 | Cestas para utensilios para rejilla inferior |



Funcionamiento del lavavajillas

Primeros pasos

Sabemos que está ansioso por empezar a usar su lavavajillas Cove, pero antes de hacerlo, dedique un poco de tiempo a leer este manual de uso y cuidado. Será de su beneficio familiarizarse con las prácticas de seguridad, características y recomendaciones de cuidado de su lavavajillas Cove, así como de su operación.

NOTA: Todas las unidades se prueban antes de su envío y pueden contener agua residual.

Antes de utilizarse

Solo para modelos con ablandadores de agua, use la tira de prueba provista para determinar la dureza del agua. Consulte los Ajustes del usuario en la página 11 para ajustar la configuración de la dureza del agua.

Llene el compartimiento para sal con agua antes de agregar sal por primera vez. Consulte Ablandador de agua en la página 17 para obtener más información.

Para todos los modelos, para garantizar que el lavavajillas esté limpio y se haya eliminado todo el aceite residual del proceso de fabricación, el lavavajillas debe pasar por el siguiente procedimiento:

- 1 Agregue detergente para lavavajillas al dispensador. Si la puerta está cerrada, toque el botón de la izquierda para abrirla. Consulte la página 16 para obtener más información.
- 2 Deslice la tapa para cerrarla.
- 3 Ejecute un ciclo rápido.

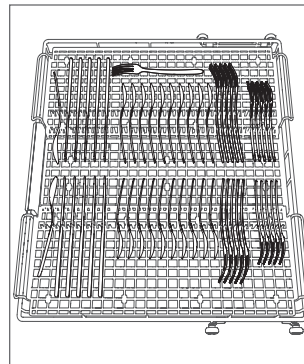
Cargando

Retire todas las etiquetas y limpie los restos de comida de los recipientes y la vajilla antes de introducirlas en el lavavajillas. Evite colocar platos, cuencos y cubiertos en fila.

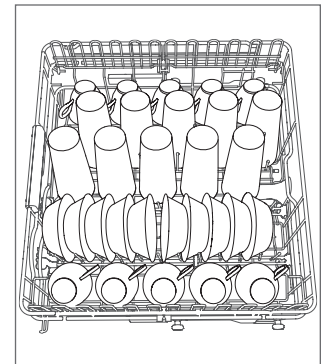
Disposición de platos

Las siguientes ilustraciones muestran la disposición típica de las rejillas superiores, medias e inferiores.

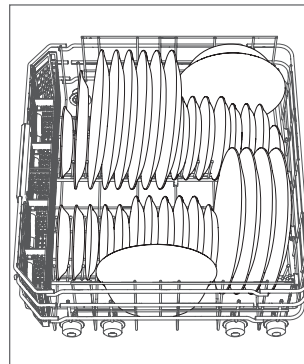
NOTA: Los brazos de rociado deben girar libremente antes de iniciar un ciclo de lavado.



Rejilla superior para cubiertos



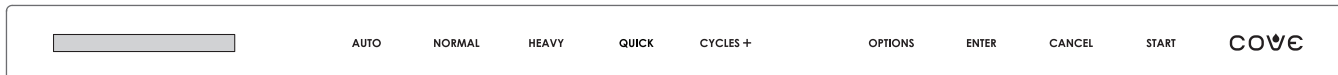
Rejilla media



Rejilla inferior

Funcionamiento del lavavajillas

PANEL DE MANDOS



Panel de mandos

CICLOS DE LAVADO

Configuración de un ciclo de lavado:

- 1 Presione el ciclo de lavado deseado o Cycles+ (Ciclos+) varias veces para desplazarse al ciclo de lavado deseado.
- 2 Presione Start (Iniciar) y cierre la puerta en un plazo de 4 segundos.

NOTA: Para incorporar una opción de ciclo al ciclo de lavado, presione Options (Opciones) antes de presionar Start (Iniciar). Consulte Opciones de ciclo. Las opciones varían según el ciclo de lavado seleccionado. Para cambiar el ciclo después de presionar Start (Iniciar), presione Cancel (Cancelar).

OPCIONES DE CICLO

OPCIÓN	DESCRIPCIÓN
Retraso de inicio	Retrasa el comienzo del ciclo de lavado de 1 a 12 horas aumentando cada hora.
Lavado a alta temperatura	Aumenta la temperatura del agua principal y extiende 10 minutos el tiempo del ciclo.
Enjuague con esterilización*	Aumenta la temperatura del agua de enjuague y extiende el tiempo de enjuague 15 minutos.
Secado extendido	Extiende el tiempo de secado 30 minutos.
Secado extra	Aumenta la temperatura del agua de enjuague y extiende el tiempo de secado 30 minutos.

*Desinfecta de acuerdo con la norma NSF/ANSI 184 para lavavajillas residenciales.

NOTA: Utilice el lavado a alta temperatura (si está disponible) para mejorar el resultado del lavado. Utilice el enjuague con esterilización, secado extra y secado extendido (si están disponibles) para mejorar el resultado del secado.

Configuración de opciones de ciclo:

- 1 Seleccione el ciclo de lavado deseado.
- 2 Pulse Options (Opciones).
- 3 Pulse Options varias veces para el desplace por las opciones de ciclo.
- 4 Presione Enter (Intro) para seleccionar la opción deseada y continúe presionando Enter hasta que aparezca la configuración deseada en la pantalla.
- 5 Presione Options (Opciones) nuevamente para seleccionar otras opciones.
- 6 Para iniciar el ciclo, presione Start (Iniciar) y cierre la puerta dentro de 4 segundos.

Para interrumpir un ciclo:

- 1 Abra la puerta del horno.
- 2 Para reiniciar el ciclo, presione Start (Iniciar) y cierre la puerta dentro de 4 segundos.

Para cancelar un ciclo:

- 1 Abra la puerta del horno.
- 2 Presione Cancel (Cancelar) y siga las instrucciones de la pantalla.

Funcionamiento del lavavajillas

Funcionamiento del lavavajillas

CICLOS DE LAVADO

CICLO	TIEMPO DEL CICLO*	TIEMPO DE SECADO	USO DE AGUA	DETERGENTE†	OPCIONES
AUTO	2:05 a 3:15	:40	4.1 a 8.1 galones	2 cucharadas	Retraso de inicio, lavado a alta temperatura, enjuague con esterilización, secado extendido, secado extra
NORMAL‡	2:40	:40	2.1 a 9.1 galones	2 cucharadas	Retraso de inicio, lavado a alta temperatura, enjuague con esterilización, secado extendido, secado extra
PESADO	3:04	:40	7.1 galones	2 cucharadas	Retraso de inicio, lavado a alta temperatura, enjuague con esterilización, secado extendido, secado extra
RÁPIDO**	:58	:10	3.1 galones	½ cucharada	Secado extra

CICLOS+	TIEMPO DEL CICLO*	TIEMPO DE SECADO	USO DE AGUA	DETERGENTE‡	OPCIONES
OLLAS Y CACEROLAS	3:55	:40	8.1 galones	2 cucharadas	Retraso de inicio, lavado a alta temperatura, enjuague con esterilización, secado extendido, secado extra
REMOJAR Y FROTAR	5:35	:40	8.1 galones	2 cucharadas	Retraso de inicio, lavado a alta temperatura, enjuague con esterilización, secado extendido, secado extra
LIGERO**	1:53	:15	3.1 galones	2 cucharadas	Retraso de inicio, lavado a alta temperatura, enjuague con esterilización, secado extendido, secado extra
PORCELANA/ CRISTAL	1:58	:40	3.1 galones	½ cucharada	Retraso de inicio, secado extendido
ENJUAGAR/ PAUSAR	:15	:00	2.1 galones	0 cucharadas	
PLÁSTICOS	2:32	:45	3.1 galones	1 cucharadas	Retraso de inicio, lavado a alta temperatura, enjuague con esterilización, secado extendido, secado extra
ENERGÍA	2:08	:40	3.1 galones	2 cucharadas	Retraso de inicio, secado extendido
EXTRA SILENCIOSO	3.05	:40	4.2 galones	2 cucharadas	Retraso de inicio, secado prolongado, secado extra

*Incluye tiempo de secado sin opciones. †Detergente en polvo. ‡Utilizado para la clasificación de eficiencia energética sin opciones, todas las piezas de la rejilla en posición vertical y la rejilla central ajustable en la posición superior (inferior para los modelos de altura ADA). **El tiempo de ciclo reducido afecta al rendimiento del secado.

Funcionamiento del lavavajillas

DESCRIPCIÓN DEL CICLO

CICLO	DESCRIPCIÓN
AUTO	Para todos los niveles de suciedad. Se ajusta automáticamente al tiempo de lavado óptimo, temperatura del agua y consumo de agua.
NORMAL	Para platos con suciedad normal del uso diario típico. Promedio de tiempo de lavado, temperatura del agua y consumo de agua.
PESADO	Para platos muy sucios. Aumenta ligeramente el tiempo de lavado, temperatura del agua y consumo de agua.
RÁPIDO	Para platos un poco sucios. Reduce el tiempo general de lavado.

CICLOS+	DESCRIPCIÓN
OLLAS Y CACEROLAS	Para ollas, cacerolas y tazones muy sucios. Aumenta el tiempo de lavado, temperatura del agua y consumo de agua.
REMOJAR Y FROTAR	Para los platos que están más sucios. Aumenta de forma significativa el tiempo de lavado, temperatura del agua y consumo de agua.
LIGERO	Para platos que no están muy sucios. Reduce el tiempo de lavado, el tiempo de secado y la temperatura del agua.
PORCELANA/ CRISTAL	Para lavado delicado y platos no muy sucios. Reduce el tiempo de lavado y la temperatura del agua.
ENJUAGAR/ PAUSAR	Para todos los niveles de suciedad. Enjuaga los platos para un ciclo de lavado posterior.
PLÁSTICOS	Para platos de plástico que se ensucian con frecuencia. Aumenta la temperatura del agua de ejuague final y aumenta el tiempo del ventilador de secado.
ENERGÍA	Para platos sucios. Disminuye la temperatura del agua y extiende el tiempo del ciclo.
EXTRA SILENCIOSO	Para platos un poco sucios. Reduce la velocidad de la bomba.

Funcionamiento del lavavajillas

AJUSTES DEL USUARIO

La característica de ajuste del usuario le permite seleccionar sus preferencias tal como se enumeran a continuación.

OPCIONES DEL USUARIO

Idioma	Seleccione el idioma.
Dureza del agua	Ajuste la configuración de dureza del agua.
Conectarse	Encender conectarse o desconectarse.*
Nivel del tono	Ajuste el nivel del tono.
Notificación	Ajuste el timbre de fin de ciclo a apagado, bajo o alto. Si se desactiva, también se desactiva la luz de fin de ciclo.
Velocidad de desplazamiento	Ajuste la velocidad de desplazamiento de la pantalla.
Contraste de la pantalla	Ajuste el contraste de la pantalla.
Brillo de la pantalla	Ajuste el brillo de la pantalla.
Luz de estado	Ajuste la intensidad y la duración de la luz de estado a apagado, bajo (2 horas) o alto (8 horas).
Dosificador de abrillantador	Ajuste la cantidad de abrillantador que se suministrará.
Modo de sala de exhibición	Para uso en salas de exhibición solamente.
Restaurar todo	Restaurar la configuración de fábrica.

*La conexión debe estar activada para conectarse a la aplicación Sub-Zero Group Owner.

Configuración de opciones del usuario:

- 1 Presione Cancel (Cancelar) dos veces.
- 2 Presione y mantenga Options (Opciones) durante aproximadamente 10 segundos hasta que "User Set Up Press Options or Cancel to Exit." (Configuración del usuario. Presione opciones o cancelar para salir) aparezca en la pantalla.
- 3 Presione Options (Opciones) varias veces para desplazarse a la opción deseada.
- 4 Presione Enter (Intro) varias veces para desplazarse a la opción deseada.
- 5 Presione Cancel (Cancelar) para guardar la configuración y salir de la configuración de usuario.

DUREZA DEL AGUA

Para los modelos con ablandador de agua solamente, use la tira de prueba provista y la tabla a continuación para determinar la configuración adecuada de dureza del agua.

AJUSTE	DUREZA
0 (predeterminado)	0 a 4 gpg
1	5 a 6 gpg
2	7 a 8 gpg
3	9 a 11 gpg
4	12 a 13 gpg
5	14 a 15 gpg
6	16 a 17 gpg
7	18 a 19 gpg
8	20 a 22 gpg
9	23 a 24 gpg
10	25+ gpg

Cómo conectar este electrodoméstico

Conecte este electrodoméstico para monitorearlo y controlarlo remotamente. Para conectarlo se requiere un enrutador inalámbrico, una conexión a Internet con un nombre de la red y una contraseña, y un dispositivo móvil compatible. No hay límite para el número de electrodomésticos que usted puede conectar a una cuenta. Conecte los productos de múltiples hogares a la misma cuenta. Conectar los electrodomésticos es opcional.

Conéctese hoy mismo para:

- Recibir alertas, actualizaciones de estado y notificaciones de mantenimiento rutinario.
- Disponga las tareas diarias con la ayuda de controles remotos y comandos de voz.
- Acceda fácilmente a manuales de usuario y consejos sobre limpieza y mantenimiento

Conectarse

La conexión debe estar activada antes conectarse a la aplicación Sub-Zero Group Owner.

Para activar la conexión:

- 1 Presione y mantenga Options (Opciones) durante aproximadamente 10 segundos hasta que "User Set Up Press Options or Cancel to Exit." (Configuración del usuario. Presione opciones o cancelar para salir) aparezca en la pantalla.
- 2 Presione Options (Opciones) varias veces para desplazarse a Connect (Conectar) y, luego, presione Enter (Intro).
- 3 Presione Cancel (Cancelar) para salir.

Para conectar:

- 1 Descargue la aplicación gratuita Sub-Zero Group Owner de Apple App Store o Google Play.
- 2 Active la función de Bluetooth® en el dispositivo, ubíquese a poca distancia del electrodoméstico, abra la aplicación y siga las instrucciones de la pantalla.
- 3 Inicie sesión o cree una cuenta.
- 4 Toque "Add an Appliance" para agregar electrodomésticos. Para identificar cuál electrodoméstico emparejar, abra la puerta del electrodoméstico.
- 5 Pulse + al lado del electrodoméstico para seleccionarlo. Si aparecen electrodomésticos idénticos, un paso adicional identificará cuál electrodoméstico emparejar.
- 6 Pulse Pair Via Bluetooth® (Emparejar por medio de Bluetooth). Espere hasta que se complete la configuración, y luego pulse Set Up Your Appliance For Pairing (Configurar su electrodoméstico para emparejamiento).
- 7 Pulse Choose a Network (Elegir una red) en la pantalla Connect Your Appliance to Wi-Fi (Conectar su electrodoméstico a Wi-Fi).
- 8 Seleccione la red de Wi-Fi de la casa e introduzca la contraseña de la red.
- 9 Pulse Turn on Notifications (Activar notificaciones) para permitir las notificaciones sobre el electrodoméstico (por ejemplo, door left ajar [puerta parcialmente abierta]).
- 10 Pulse Done (Listo) en la pantalla Success (Éxito) para completar la configuración.

Bloqueo para niños

La función de bloqueo para niños impide el funcionamiento no deseado del panel de control. La función de bloqueo permanecerá encendida después de una interrupción de energía.

Para encender o apagar la función de bloqueo para niños:

- 1 Para encenderla, presione y mantenga Heavy (Pesado) durante aproximadamente 10 segundos hasta que aparezca "Child Lock: On" (Bloqueo para niños activado) en la pantalla. Aparecerá "Locked" (Bloqueado) en la pantalla hasta que se apague el bloqueo para niños.
- 2 Para apagarla, presione y mantenga Heavy (Pesado) (Rápido) durante aproximadamente 10 segundos hasta que aparezca "Child Lock: Off" (Bloqueo para niños desactivado) en la pantalla.

AVISO IMPORTANTE: Los modos de bloqueo para niños y de Sabbath no pueden estar encendidas al mismo tiempo.

Modo Sabbath

El modo Sabbath apaga todas las luces y sonidos y previene cambios a todas las operaciones del lavavajillas. El modo Sabbath permanecerá encendida después de una interrupción de energía.

Para encender o apagar el modo Sabbath:

- 1 Para encenderlo, presione y mantenga Quick (Rápido) durante aproximadamente 10 segundos hasta que aparezca "Sabbath" en la pantalla. "Sabbath" aparece en la pantalla hasta que se apague el modo Sabbath.
- 2 Para apagarla, presione y mantenga Quick (Rápido) durante aproximadamente 10 segundos hasta que aparezca "Sabbath Off" en la pantalla.

AVISO IMPORTANTE: Los modos de bloqueo para niños y de Sabbath no pueden estar encendidas al mismo tiempo.

Luces

LUZ DE ESTADO

La luz de estado se iluminará para indicar el estado del ciclo.

LUZ	ESTADO DEL CICLO
Azul	Se ha seleccionado inicio retardado. Presione Start (Iniciar) cada vez que la puerta se abra antes de la hora de inicio.
Rojo	Comenzó el ciclo.
Verde	El ciclo terminó.
Sin luz	La puerta no se cerró dentro de los 4 segundos después de presionar Start (Iniciar), el ciclo se completó hace más de dos horas (ajuste de luz de estado bajo) / ocho horas (ajuste de luz de estado alto), o la puerta se abrió después de la finalización del ciclo.

LUZ INTERIOR

Las luces interiores se encenderán cuando la puerta se abra. Las luces permanecerán encendidas durante 10 minutos, se atenuarán después de 10 y se apagarán después de 15. Cualquier movimiento de la puerta enciende las luces.

Rejillas del lavavajillas

RETIRO DE LAS REJILLAS

Todas las rejillas pueden extraerse. Si lo desea, el lavavajillas puede funcionar sin las rejillas.

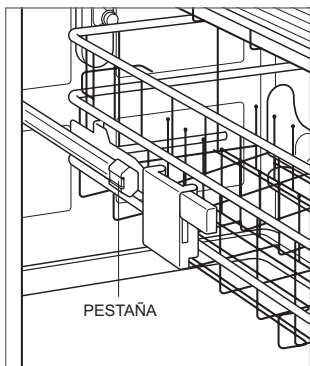
Para retirar las rejillas superior y media:

AVISO IMPORTANTE: Si se quita la rejilla media, se debe instalar la boquilla de rociado antes de iniciar un ciclo. Consulte la siguiente ilustración.

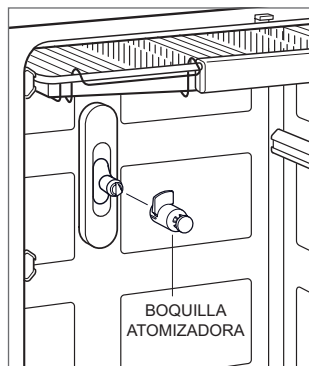
- 1 Abra totalmente la rejilla.
- 2 Jale la lengüeta en el lado de los pasadores de la rejilla y, luego, retire los pasadores que se ubican al final de cada deslizador de la rejilla. Consulte la siguiente ilustración.
- 3 Jale la rejilla hacia adelante para extraerla.

Para extraer la rejilla inferior:

- 1 Abra totalmente la rejilla.
- 2 Levante y extraiga.



Retiro de las rejillas



Instalación de la boquilla de rociado

REJILLA MEDIA DE ALTURA AJUSTABLE

Cada lado de la rejilla es ajustable. Ajuste uno o ambos lados para acomodar objetos grandes en la rejilla inferior.

Para mover la rejilla hacia abajo:

- 1 Abra totalmente la rejilla vacía.
- 2 Levante las palancas de ajuste verdes en cada lado hacia arriba y permita que la rejilla se mueva hacia abajo a la ubicación deseada. Las palancas de ajuste solo se necesitan para mover la rejilla hacia abajo. Consulte la siguiente ilustración.

Para mover la rejilla hacia arriba:

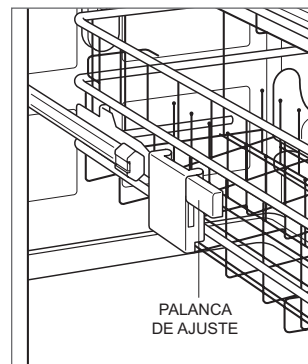
- 1 Abra totalmente la rejilla.
- 2 Levante la rejilla sobre las palancas de ajuste.

REPISAS PLEGABLES

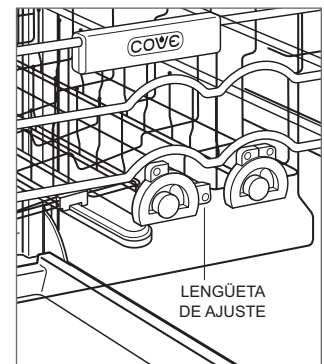
Algunas repisas pueden ajustarse para acomodar una variedad de vajillas.

Para ajustar las repisas plegables:

- 1 Abra totalmente la rejilla.
- 2 Empuje y gire las lengüetas de ajuste verdes para plegar las repisas deseadas. Consulte la siguiente ilustración.



Ajuste de la altura



Ajuste de las repisas

Rejillas del lavavajillas

ESTANTES PLEGABLES

Las rejillas inferiores y medias tienen estantes plegables que se pueden ajustar para acomodar objetos más pequeños y copas.

Para ajustar los estantes plegables:

- 1 Gire el estante hacia abajo. Para los modelos de altura ADA, levante ligeramente el estante y, a continuación, gírelo hacia abajo para encajarlo en el soporte. Revise las siguientes ilustraciones.

CESTAS PARA UTENSILIOS

Las cestas para utensilios se encuentran en la parte frontal de la rejilla inferior y se pueden quitar.

Para quitar las cestas para utensilios:

- 1 Abra totalmente la rejilla inferior.
- 2 Levante la cesta y extráigala.

⚠ ADVERTENCIA

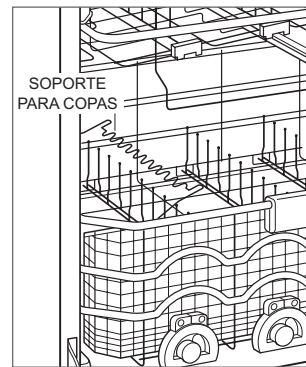
Los cuchillos y otros utensilios con punta afilada deben cargarse en las cestas con las puntas hacia abajo o en posición horizontal.

SOPORTE PARA COPAS

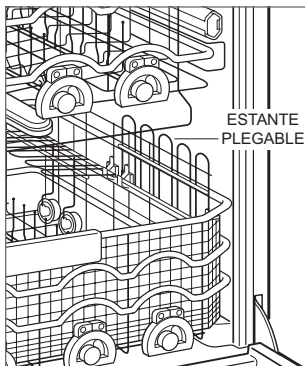
La rejilla inferior tiene un soporte para copas que se puede ajustar para acomodar copas.

Para ajustar el soporte para copas:

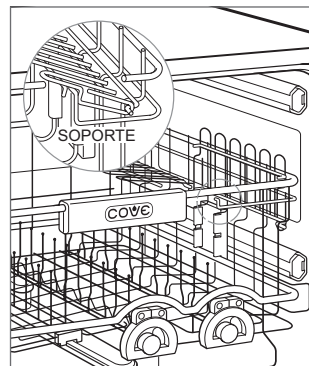
- 1 Gire el soporte hacia abajo. Consulte la siguiente ilustración.



Soporte para copas



Estante plegable



Estante plegable (altura ADA)

Dispensador

El dispensador ubicado en el interior de la puerta tiene un compartimiento para detergente y otro para abrillantador. Revise las siguientes ilustraciones.

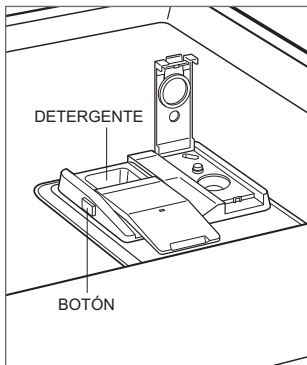
Utilizar demasiado detergente con agua muy blanda puede dejar marcas en la cristalería. En el caso de detergentes líquidos, en gel y en polvo únicamente, ajuste la cantidad de detergente en función de la dureza del agua. Consulte la siguiente tabla.

DUREZA	NIVEL DE LLENADO
0 a 3 gpg	1/3
4 a 8 gpg	2/3
9+ gpg	Completo

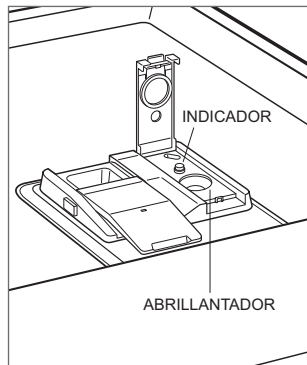
NOTA: Cove no recomienda usar detergente para la pre-venta.

NOTA: Use siempre abrillantador aun cuando el detergente incluya abrillantador.

NOTA: Verifique que el interior del dispensador y las manos estén secos antes de introducir el detergente.



Dispensador de detergente



Dispensador de abrillantador

Para agregar detergente para lavavajillas:

- 1 Agregue el detergente al compartimiento a la izquierda.
- 2 Deslice la tapa para cerrarla.

Para abrir la puerta una vez cerrada, presione el botón en el lado del dispensador.

Para agregar abrillantador:

- 1 Levante la lengüeta de la tapa en la derecha.
- 2 Agregue abrillantador. El compartimiento para abrillantador está lleno cuando aparece el indicador del color del abrillantador.
- 3 Limpie el abrillantador que pueda haberse derramado.

Cuando el abrillantador está bajo, aparece "Add rinse aid. Press Enter once added, or press Cancel to ignore." (Agregue abrillantador. Presione Intro una vez agregado o Cancelar para ignorar) en la pantalla.

⚠ PRECAUCIÓN

No agregue nada más que detergente de lavavajillas o un limpiador para lavavajillas al compartimiento para detergente y abrillantador al compartimiento para abrillantador.

Ablandador de agua

Para los modelos con ablandador de agua solamente, hay un compartimiento para sal ubicado en la parte inferior del interior. Consulte la siguiente ilustración.

Antes de llenar el compartimiento para sal por primera vez, llene el compartimiento con agua y, luego, agregue sal. No es necesario agregar agua cuando se rellene posteriormente.

Cuando quede poca sal ablandadora, aparece "Add salt. Press Enter once added, or press Cancel to ignore." (Agregue sal. Presione Intro una vez agregado o Cancelar para ignorar) en la pantalla.

Para agregar sal ablandadora:

- 1 Hale la rejilla inferior hacia adelante y, si es necesario, aleje el brazo de rociado inferior de la tapa del compartimiento.
- 2 Gire la rejilla en el sentido de las manecillas del reloj para extraerla. Es normal que el depósito contenga agua.
- 3 Llène el compartimiento por completo con sal ablandadora para lavavajillas.
- 4 Una vez lleno, limpie el exceso de sal de las roscas del compartimiento para sal, luego gire la tapa en el sentido de las manecillas del reloj para asegurar.
- 5 Ponga a funcionar un ciclo Quick (Rápido).



Compartimiento para sal ablandadora

⚠ PRECAUCIÓN

No agregue nada más que sal de lavavajillas al compartimiento para sal.

El ablandador de agua debe regenerarse periódicamente para mantener la calidad del agua. Cuando sea necesario, el proceso de regeneración comienza automáticamente antes del siguiente ciclo de lavado y dura aproximadamente 20 minutos. El ciclo de lavado comienza después de que se completa el proceso de regeneración. Aparece "Water softener active. Press Start" (Ablandador de agua activo. Presione Iniciar) en la pantalla durante el proceso de regeneración. Para continuar, presione Start (Iniciar) y cierre la puerta.

Limpeza

BRAZOS DE ROCIADO

Los brazos de rociado superior, medio e inferior son removibles para su limpieza.

Para quitar el brazo de rociado superior:

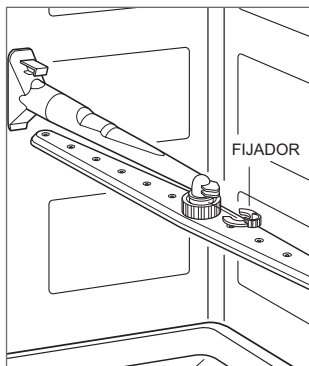
- 1 Para acceder al brazo rociador superior, retire la rejilla para cubiertos superior.
- 2 Pulse hacia arriba y gire el conjunto del brazo aspersor hacia la izquierda para extraer.

Para quitar el brazo de rociado medio:

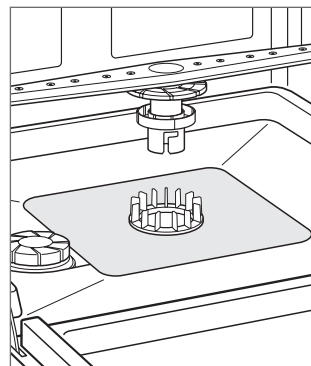
- 1 Para acceder al brazo aspersor medio, retire la rejilla central y, a continuación, el pasador verde. Consulte la siguiente ilustración.
- 2 Pulse hacia arriba y gire el conjunto del brazo aspersor medio hacia la izquierda para extraer.

Para quitar el brazo de rociado inferior:

- 1 Para acceder al brazo rociador inferior, retire la rejilla inferior.
- 2 Gire el conjunto del brazo de rociado inferior en sentido contrario a las manecillas del reloj $\frac{1}{8}$ de vuelta, luego levante para retirar. Consulte la siguiente ilustración.



Retiro del brazo de rociado medio



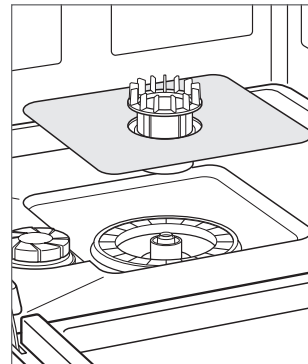
Retiro del brazo de rociado inferior

FILTRO

El filtro se debe limpiar con frecuencia. El uso intensivo puede requerir una limpieza más frecuente. "Clean filter. Press Enter once added, or press Cancel to ignore." (Limpiar el filtro. Presione Intro una vez agregado o Cancelar para ignorar) aparece en la pantalla luego de 30 ciclos. Este es un recordatorio y no se basa en el nivel de suciedad del filtro.

Para quitar el filtro:

- 1 Retire la rejilla inferior y el brazo de rociado inferior.
- 2 Aplique una ligera presión hacia abajo en el filtro y, a continuación, gírelo $\frac{1}{8}$ de vuelta hacia la izquierda.
- 3 Levante el filtro para extraerlo. Consulte la siguiente ilustración.



Extracción del filtro

Limpieza

DESCALCIFICACIÓN

"Descale Unit. Check manual." (Descalcifique la unidad. Compruebe el manual) aparece en la pantalla cuando hay que descalcificar el lavavajillas. Utilice un limpiador de lavavajillas o ácido cítrico para eliminar los residuos de agua dura y la acumulación de cal.

Para descalcificar:

- 1 Vacíe el lavavajillas.
- 2 Coloque un limpiador de lavavajillas o 3 cucharadas (44 ml) de ácido cítrico en el dispensador de detergente, luego deslice la tapa para cerrarla.
- 3 Pulse Cycles+ varias veces para desplazarse a Soak & Scrub (remojo y fregado).
- 4 Presione Start (Iniciar) y cierre la puerta en un plazo de 4 segundos.

Recomendaciones para el cuidado

Recomendaciones para el cuidado

LIMPIEZA

Acero inoxidable	Utilice un limpiador no abrasivo para acero inoxidable y aplique con un paño suave que no deje pelusa. Para resaltar el lustre natural, limpie suavemente la superficie con una tela de microfibra humedecida con agua y, luego, pule en seco con una gamuza. Siempre siga la dirección del acabado del acero inoxidable.
Panel de mandos	Limpie con un paño húmedo.
Rejillas del lavavajillas	Consulte la página 14 para el desmontaje. Limpie con un paño húmedo.
Interior	Limpie el interior aproximadamente cada tres meses. Limpie con un paño húmedo el interior, el borde de la puerta y las juntas de goma. Si es necesario, rocíe limpiador doméstico sobre el paño. No aplique los limpiadores directamente sobre la puerta. Utilice un limpiador de lavavajillas o ácido cítrico. Consulte Descalsificación en la página 19.
Brazos de rociado	Consulte la página 18 para el desmontaje. Limpie los brazos aspersores cada seis meses. Ponga bajo agua corriente y use un clip de papel o un objeto similar para eliminar los residuos de los orificios.
Filtro	Consulte la página 18 para el desmontaje. Limpie con agua y jabón. Utilice un cepillo suave para los depósitos de tierra o calcio difíciles de eliminar. No utilice un cepillo de alambre o estropajo.
Empaque	Limpie con un paño húmedo. Use agua tibia jabonosa y un cepillo de dientes. Si hay hongos o moho, rocíe con peróxido de hidrógeno al 3%.

Solución de problemas

FUNCIONAMIENTO

El lavavajillas no funciona.

- Compruebe si la energía está encendida.
- Compruebe que la alimentación eléctrica al lavavajillas y el interruptor de circuito general de la casa estén encendidos.
- Verifique que los modos de bloqueo para niños, Sabbath y sala de exhibición no estén encendidos.

Los platos no están limpios luego de un ciclo de lavado.

- Compruebe que el lavavajillas está conectado a un suministro de agua caliente.
- Verifique que los brazos rociadores giren libremente girándolos con la mano, luego verifique que los orificios estén limpios y libres de residuos.
- Verifique que los platos no estén colocados demasiado cerca y que las tazas y los tazones estén boca abajo y no estén anidados.
- Ejecute el ciclo pesado (Heavy).
- Póngase en contacto con atención al cliente de Cove al 800-222-7820 para recomendaciones.

Los platos no están secos luego de un ciclo de lavado.

- Verifique que haya abrillantador en el dispensador (aun cuando el detergente incluya abrillantador).
- Seleccione un ciclo de lavado que no sea el Quick o Light, los cuales tienen tiempo limitado de secado.
- Presione Extra Dry (Secado extra) o Extended Dry (Secado extendido). Consulte información sobre Opciones del ciclo en la página 8.
- Aumente el dosificador de abrillantador. Consulte la Configuración del usuario en la página 11.

Exceso de humedad en la cuba al final de ciclo de lavado.

- Verifique que haya abrillantador en el dispensador (aun cuando el detergente incluya abrillantador).

Aparecen rayas o manchas en la vajilla y la cristalería.

- Aumente el dosificador de abrillantador. Consulte la Configuración del usuario en la página 11.

“Error 800115. Check manual.” (Error 800115. Consulte el manual) aparece en la pantalla.

- Compruebe que el conducto de desagüe y el paso de aire (si lo hay) están limpios y libres de residuos.
- Verifique que el desagüe no esté obstruido y que se haya retirado el tapón (si lo hay).
- Verifique que la tubería de desagüe no esté doblada y que no supere 4' (1.2 m) por encima del piso del lavavajillas.
- Extraiga el brazo aspersor inferior y el filtro y compruebe si hay obstrucciones. Consulte la sección Limpieza en la página 18.

“Error 560186. Check manual.” o “Error 560187. Check manual.” (Error 560186/560187. Consulte el manual) aparece en la pantalla.

- Verifique que el suministro de agua esté en la posición de apertura.
- Verifique que la tubería de suministro de agua no esté retorcida.

“Error 980199. Power interruption. Check detergent. Press Cancel and restart cycle.” (Error 980199. Corte de alimentación eléctrica. Revisar el detergente.) aparece en la pantalla.

- Si es necesario, agregue detergente. Presione Cancel (Cancelar) y reinicie el ciclo.
- Si el error persiste, póngase en contacto con el servicio técnico.

“Error 700181. Call Service.” (Error 700181. Llame al servicio técnico) aparece en la pantalla.

- Limpie el filtro. Consulte la sección Limpieza en la página 18.
- Ejecute el ciclo Rinse/Hold (Enjuagar/Pausar).
- Si el error persiste, póngase en contacto con el servicio técnico.

“Descalc Unit. Check manual.” (Descalcificar unidad. Consulte el manual) aparece en la pantalla.

- El lavavajillas debe descalcificarse. Consulte Descalcificación en la página 19.

Solución de problemas

SERVICIO

- Para mantener la calidad incorporada en su producto, póngase en contacto con el Servicio certificado de fábrica de Cove. Para conocer los datos del centro de servicio certificado de fábrica de Cove, consulte la sección de servicio técnico en nuestro sitio web, cove-appliance.com, o bien, llame a la línea de atención al cliente de Cove al 800-222-7820.
- Cuando se comunique con el servicio, necesitará el modelo y el número de serie de su producto. Los dos números aparecen en la placa de datos del producto. Consulte en la página 6 la ubicación de la placa de datos.
- Para fines de la garantía, usted también necesitará la fecha de instalación y el nombre de su distribuidor autorizado Cove. Esta información debe estar registrada en la página 3.

Garantía limitada residencial de Cove Appliance

PARA USO RESIDENCIAL

GARANTÍA COMPLETA DE CINCO AÑOS*

Durante cinco años a partir de la fecha de la instalación original, la garantía de su producto Cove Appliance cubre todas las piezas y mano de obra para reparar o cambiar, de acuerdo con el uso residencial normal, cualquier pieza del producto que se compruebe estar defectuosa en material o mano de obra. Todos los servicios proporcionados por Cove Appliance bajo la garantía anterior deben ser ejecutados por servicios certificados de fábrica de Cove, a menos que Cove Appliance, Inc. lo especifique de otra manera. El Servicio se hará durante el horario comercial normal.

GARANTÍA PERPETUA LIMITADA

Durante la vida útil del producto, Cove Appliance reparará o reemplazará los siguientes componentes que se comprueben estar defectuosos en material o mano de obra: la cuba de acero inoxidable y revestimiento de la puerta (excepto corrosión de superficies, rayones, decoloración, manchas causadas por las condiciones meteorológicas y atmosféricas y corrosión y oxidación menor de la superficie). Si el propietario utiliza el servicio certificado de fábrica de Cove, el prestador del servicio reparará o reemplazará estas partes mediante el pago de todos los otros costos, incluyendo mano de obra, a cargo del propietario. Si el propietario usa un servicio no certificado, debe ponerse en contacto con Cove Appliance, Inc. (mediante la información que se indica más adelante) para recibir los componentes reparados o de cambio. Cove Appliance no reembolsará al propietario los importes correspondientes a los componentes comprados a un servicio no autorizado o a otras fuentes.

TÉRMINOS APLICABLES A CADA GARANTÍA

La garantía se aplica solamente a los productos instalados para uso residencial normal. La garantía se aplica solamente a los productos instalados en cualquiera de los cincuenta estados de Estados Unidos, el Distrito de Columbia o las diez provincias de Canadá. Esta garantía no cubre piezas o mano de obra destinada a corregir defectos causados por negligencias, accidentes o uso indebido, mantenimiento, instalación, servicio o reparación.

LOS RECURSOS DESCRITOS ANTERIORMENTE PARA CADA GARANTÍA SON LOS ÚNICOS QUE COVE APPLIANCE, INC. PROPORCIONARÁ, YA SEA BAJO ESTA GARANTÍA O BAJO CUALQUIER GARANTÍA QUE RESULTEN DE LA APLICACIÓN DE LA LEY. COVE APPLIANCE, INC. NO SE HACE RESPONSABLE POR LOS DAÑOS INDIRECTOS O INCIDENTALES DERIVADOS DE LA VIOLACIÓN DE ESTA GARANTÍA O CUALQUIER OTRA GARANTÍA, YA SEA EXPRESA, IMPLÍCITA O LEGAL.

Algunos estados no permiten la exclusión o limitación de daños indirectos o incidentales, por lo que la limitación o exclusión anterior podría no aplicarse a su caso. Esta garantía le otorga derechos legales específicos y usted también puede tener otros derechos legales que varían entre estados.

Para recibir las partes o el servicio y el nombre del servicio certificado de fábrica de Cove más cercano a usted, póngase en contacto con Cove Appliance, Inc., P.O. Box 44848, Madison, WI 53744; eche un vistazo a la sección de servicio técnico en nuestro sitio web, coveappliance.com, envíenos un correo electrónico a customerservice@subzero.com o llame al 800-222-7820.

*Las puertas, paneles, manijas, estructuras y superficies internas de acero inoxidable están cubiertas por una garantía limitada de 60 días sobre piezas y mano de obra, por defectos estéticos.



Table des matières

- 4 Précautions de sécurité
- 6 Caractéristiques du lave-vaisselle
- 7 Fonctionnement du lave-vaisselle
- 18 Recommandations de soins
- 21 Dépannage
- 23 Garantie Cove

Service à la clientèle

Le modèle et le numéro de série sont indiqués sur la carte d'enregistrement produit fournie avec la machine. Les deux numéros sont aussi indiqués sur la plaque signalétique du produit. Reportez-vous à la page 6 pour connaître l'emplacement de la plaque signalétique. Pour les besoins de la garantie, vous devrez aussi avoir la date d'installation et le nom de votre dépositaire Cove autorisé. Notez cette information ci-dessous pour référence ultérieure.

INFORMATIONS POUR L'ENTRETIEN

Numéro de modèle

Numéro de série

Date d'installation

Nom de l'atelier agréé

Numéro de l'atelier agréé

Dépositaire agréé

Numéro du dépositaire

Si votre produit nécessite une réparation, assurez-vous d'utiliser un fournisseur de service certifié par l'usine Cove recommandé par notre centre de service à la clientèle, ou sélectionnez-en un parmi la liste de fournisseurs disponibles sur coveappliance.com/locator. Tous les fournisseurs de service certifiés par l'usine sont soigneusement sélectionnés et rigoureusement formés par nous.

Remarque importante

Pour garantir une installation et un fonctionnement en toute sécurité et hautement efficace de ce produit, veuillez accorder une attention particulière aux informations dans ce guide marquées des mentions suivantes :

REMARQUE IMPORTANTE, indique des informations très importantes.

⚠ ATTENTION

Indique une situation susceptible d'entraîner des blessures mineures ou d'endommager le produit en cas de non-respect des instructions.

⚠ AVERTISSEMENT

Décrit un danger qui peut causer une blessure grave voire mortelle si les précautions ne sont pas respectées.

REMARQUE IMPORTANTE : Sauf indication contraire, les dimensions indiquées tout au long de ce guide entre parenthèses sont en millimètres.

DIRECTIVES IMPORTANTES

IMPORTANTES DIRECTIVES DE SÉCURITÉ

▲ AVERTISSEMENT

Lorsque vous utilisez votre lave-vaisselle, prenez des précautions de base, y compris les suivantes :

- Lisez toutes les directives avant d'utiliser le lave-vaisselle.
- Limitez l'utilisation du lave-vaisselle à sa fonction principale.
- Les lave-vaisselle certifiés résidentiels ne sont pas conçus pour les établissements de service alimentaire titulaires d'un permis.
- Utilisez uniquement des détergents ou des agents mouillants recommandés pour utilisation dans un lave-vaisselle et gardez-les hors de la portée des enfants.
- Lorsque vous chargez des articles à laver, placez les articles coupants de manière à ne pas endommager le joint de la porte et insérez les couteaux avec la pointe vers le bas afin de réduire le risque de blessure.
- Ne lavez pas les articles en plastique à moins qu'ils ne soient marqués « sans danger pour le lave-vaisselle » ou d'une indication similaire. Pour les articles en plastique non marqués, consultez les recommandations du fabricant.
- N'altérez pas les commandes.
- N'utilisez pas votre lave-vaisselle si tous les panneaux du coffre ne sont pas correctement installés.
- Évitez de maltraiter la porte ou le panier à vaisselle du lave-vaisselle en vous asseyant ou en vous appuyant dessus.
- Pour éviter tout risque de trébuchement, ne laissez pas la porte du lave-vaisselle ouverte.
- Pour réduire le risque de blessure, ne laissez pas les enfants jouer dans ou sur un lave-vaisselle.
- Lorsque vous mettez hors service ou éliminez un vieux lave-vaisselle, retirez la porte du compartiment de lavage.
- Dans certaines conditions, du gaz d'hydrogène peut être émis par un système d'eau chaude qui n'a pas été utilisé pendant deux semaines ou plus. **LE GAZ D'HYDROGÈNE EST EXPLOSIF.** Si le système d'eau chaude n'a pas été utilisé pendant deux semaines ou plus, avant d'utiliser le lave-vaisselle, ouvrez tous les robinets d'eau chaude et laissez l'eau s'écouler de chacun d'eux pendant plusieurs minutes. Cela permet de libérer toute accumulation de gaz d'hydrogène. Puisque ce gaz est inflammable, ne fumez pas et n'utilisez pas une flamme nue pendant ce temps.
- Seuls les cycles de lavage avec l'option Sani Rinse choisie ont été désignés pour répondre à la norme de performance 184 de la NSF/ANSI concernant l'élimination de saleté et l'efficacité d'assainissement. Il n'existe aucune intention, directe ou indirecte, d'insinuer que tous les cycles d'une machine certifiée ont passé le test de performance d'assainissement.
- Toute ouverture dans l'armoire adjacente doit respecter les exigences suivantes : la dimension la plus longue de l'ouverture ne doit pas dépasser 1 1/2 po (38).

DIRECTIVES IMPORTANTES

▲ AVERTISSEMENT

- N'utilisez pas le lave-vaisselle tant qu'il n'est pas complètement installé.
- N'appuyez pas sur la porte ouverte.

▲ AVERTISSEMENT

PROPOSITION 65 POUR LES RÉSIDENTS DE LA CALIFORNIE

Cause le cancer et des troubles reproductifs—www.P65Warnings.ca.gov

▲ AVERTISSEMENT

 TENSION DANGEREUSE.

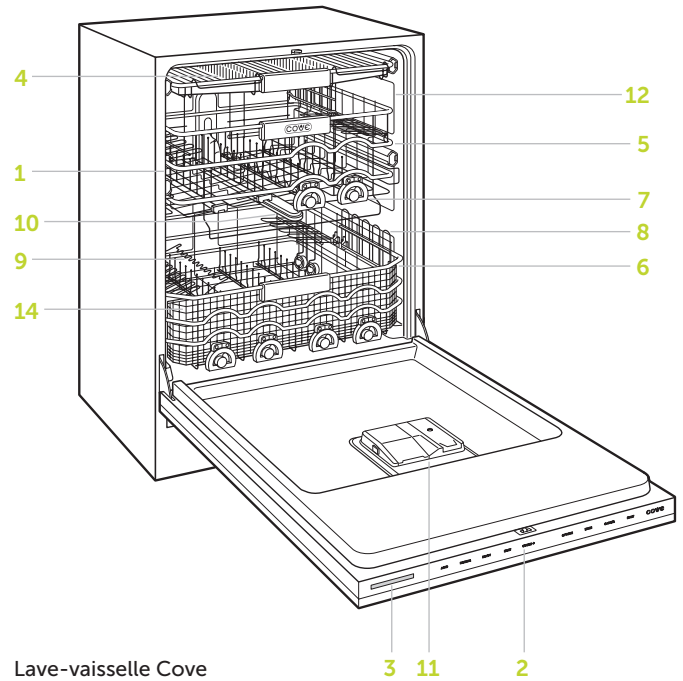
CONSERVEZ CES DIRECTIVES

Caractéristiques du lave-vaisselle

Caractéristiques du lave-vaisselle

CARACTÉRISTIQUES

- | | |
|----|--|
| 1 | Plaque signalétique du produit |
| 2 | Panneau de commande dissimulé |
| 3 | Écran du panneau de commande |
| 4 | Panier supérieur amovible pour coutellerie |
| 5 | Panier du milieu à hauteur réglable |
| 6 | Panier inférieur |
| 7 | Réglage des dents repliables |
| 8 | Tablette repliable |
| 9 | Support pour verres à pied |
| 10 | Bras de pulvérisation du milieu |
| 11 | Distributeur de détergent/produit de rinçage |
| 12 | Intérieur éclairé par DEL |
| 13 | Voyant de statut (côté droit, sous la porte) |
| 14 | Paniers à ustensiles du panier inférieur |



Premiers pas

Nous savons que vous êtes impatient de commencer à utiliser votre lave-vaisselle, mais avant de le faire, veuillez prendre quelques instants pour lire ce guide d'utilisation et d'entretien. Il est dans votre intérêt de vous familiariser avec les pratiques de sécurité, les caractéristiques, le fonctionnement et les recommandations d'entretien de votre lave-vaisselle Cove.

REMARQUE : Avant expédition, chaque unité est testée et peut contenir des résidus d'eau.

Avant l'utilisation

Pour les modèles à adoucisseur d'eau seulement, utilisez la bandelette de test fournie, pour déterminer la dureté de l'eau. Reportez-vous à Configuration de l'utilisateur à la page 11 pour régler la dureté de l'eau.

Versez de l'eau dans le compartiment de sel avant d'ajouter le sel pour la première fois. Reportez-vous à Adoucisseur d'eau à la page 17 pour de plus amples renseignements.

Pour tous les modèles, pour garantir que le lave-vaisselle est propre et que toute l'huile résiduelle provenant du processus de fabrication a été éliminée, le lave-vaisselle doit suivre la procédure suivante :

- 1 Ajoutez du détergent pour lave-vaisselle dans le distributeur. Si la porte est fermée, appuyez sur le bouton de gauche pour l'ouvrir. Reportez-vous à la page 16 pour plus d'informations.
- 2 Glissez le couvercle pour le fermer.
- 3 Lancez un cycle rapide.

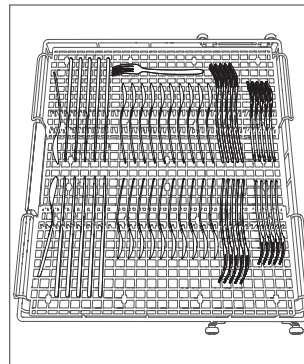
Chargement

Retirez toutes les étiquettes et grattez les débris alimentaires des ustensiles de cuisine et de la vaisselle avant de les placer dans le lave-vaisselle. Évitez d'emboîter les assiettes, les bols et les couverts.

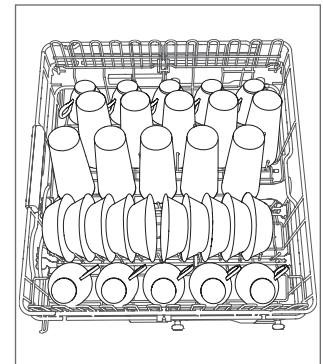
Disposition des assiettes

Les illustrations ci-dessous montrent une disposition typique pour les paniers supérieur, du milieu et inférieur.

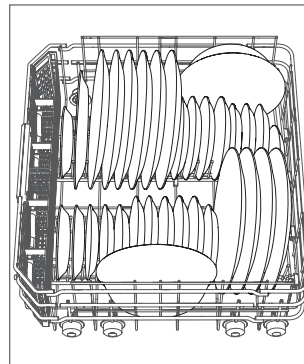
REMARQUE : Avant de lancer un cycle de lavage, assurez-vous que les bras de pulvérisation tournent librement.



Panier supérieur pour
coutellerie



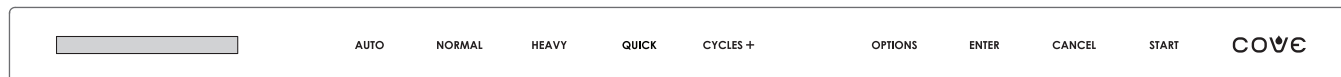
Panier du milieu



Panier inférieur

Fonctionnement du lave-vaisselle

PANNEAU DE COMMANDE



Panneau de commande

CYCLES DE LAVAGE

Régler un cycle de lavage :

- 1 Pour sélectionner le cycle de lavage souhaité, appuyez sur le bouton correspondant ou appuyez plusieurs fois sur Cycles+ pour faire défiler jusqu'au cycle désiré.
- 2 Appuyez sur Start (Démarrage) et fermez la porte dans un délai de 4 secondes.

REMARQUE : Pour incorporer une option de cycle au cycle de lavage, appuyez sur Options avant d'appuyer sur Start (Démarrage). Reportez-vous aux options de cycle. Les options varient en fonction du cycle de lavage sélectionné. Pour modifier le cycle après avoir enfoncé Start (Démarrage), appuyez sur Cancel (Annuler).

OPTIONS DE CYCLE

OPTION	DESCRIPTION
Mise en marche différée	Retarde la mise en marche du cycle de lavage de 1 à 12 heures par incréments d'une heure.
Lavage à haute température	Augmente la température du lavage principal et prolonge la durée du cycle de 10 minutes.
Rinçage sanitaire*	Augmente la température de l'eau de rinçage et prolonge la durée du rinçage de 15 minutes.
Séchage prolongé	Prolonge la durée du séchage de 30 minutes.
Séchage supérieur	Augmente la température de l'eau de rinçage et prolonge la durée de séchage de 30 minutes.

*Aseptise conformément à la norme 184 de la NSF/ANSI pour les lave-vaisselle résidentiels.

REMARQUE : Utilisez le lavage à haute température (si disponible) pour améliorer les performances de lavage. Utilisez les options Sani Rinse, (Rinçage sanitaire) Extra Dry (Séchage prolongé) et Extended Dry (Séchage supérieur) (si disponible) pour améliorer les performances de séchage.

Réglage des options de cycle :

- 1 Sélectionnez le cycle de lavage voulu.
- 2 Appuyez sur Options.
- 3 Appuyez sur Options plusieurs fois pour faire défiler les options de cycle.
- 4 Appuyez sur Enter (Entrée) pour sélectionner l'option voulue et maintenez longuement Enter (Entrée) jusqu'à ce que le paramètre voulu apparaisse sur l'écran.
- 5 Appuyez sur Options à nouveau pour sélectionner d'autres options.
- 6 Pour mettre le cycle en marche, appuyez sur Start (Démarrage) et fermez la porte dans un délai de 4 secondes.

Pour interrompre un cycle :

- 1 Ouvrez la porte.
- 2 Pour remettre le cycle en marche, appuyez sur Start (Démarrage) et fermez la porte dans un délai de quatre secondes.

Pour annuler un cycle :

- 1 Ouvrez la porte.
- 2 Appuyez sur Cancel (Annuler) et suivez les directives affichées sur l'écran.

Fonctionnement du lave-vaisselle

Fonctionnement du lave-vaisselle

CYCLES DE LAVAGE

CYCLE	DURÉE DU CYCLE*	DURÉE DU SÉCHAGE	CONSUMMATION D'EAU	DÉTERGENT†	OPTIONS
AUTO	2:05 à 3:15	:40	4,1 à 8,1 gal	2 c. à soupe	Mise en marche différée, lavage à haute température, rinçage sanitaire, séchage prolongé, séchage supérieur
NORMAL‡	2:40	:40	2,1 à 9,1 gal	2 c. à soupe	Mise en marche différée, lavage à haute température, rinçage sanitaire, séchage prolongé, séchage supérieur
HEAVY (INTENSE)	3:04	:40	7,1 gal	2 c. à soupe	Mise en marche différée, lavage à haute température, rinçage sanitaire, séchage prolongé, séchage supérieur
QUICK (RAPIDE)**	:58	:10	3,1 gal	½ c. à soupe	Séchage supérieur

CYCLES+	DURÉE DU CYCLE*	DURÉE DU SÉCHAGE	CONSUMMATION D'EAU	DÉTERGENT‡	OPTIONS
CHAUDRONS ET CASSEROLES	3:55	:40	8,1 gal	2 c. à soupe	Mise en marche différée, lavage à haute température, rinçage sanitaire, séchage prolongé, séchage supérieur
TREMPAGE ET RÉCURAGE	5:35	:40	8,1 gal	2 c. à soupe	Mise en marche différée, lavage à haute température, rinçage sanitaire, séchage prolongé, séchage supérieur
VOYANT**	1:53	:15	3,1 gal	2 c. à soupe	Mise en marche différée, lavage à haute température, rinçage sanitaire, séchage prolongé, séchage supérieur
PORCELAINE/ CRISTAL	1:58	:40	3,1 gal	½ c. à soupe	Mise en marche différée, séchage prolongé
RINÇAGE/ ATTENTE	:15	:00	2,1 gal	0 c. à soupe	
PLASTIQUE	2:32	:45	3,1 gal	1 c. à soupe	Mise en marche différée, lavage à haute température, rinçage sanitaire, séchage prolongé, séchage supérieur
ÉNERGIE	2:08	:40	3,1 gal	2 c. à soupe	Mise en marche différée, séchage prolongé
EXTRA SILENCIEUX	3:05	:40	4,2 gal	2 c. à soupe	Mise en marche différée, séchage prolongé, séchage supérieur

*Comprend le temps de séchage sans les options. †Détergent en poudre. ‡Utilisé pour l'évaluation de l'efficacité énergétique sans options, toutes les dents de la crémaillère en position verticale, et la crémaillère centrale réglable en position supérieure (inférieure pour les modèles hauteur ADA.).

**La réduction de la durée du cycle a un impact sur les performances de séchage.

Fonctionnement du lave-vaisselle

DESCRIPTION DES CYCLES

CYCLE	DESCRIPTION
AUTO	Pour tous les niveaux de saleté. S'ajuste automatiquement à la durée de lavage, la température d'eau et la consommation d'eau optimales.
NORMAL	Pour la vaisselle normalement salie suite à un usage quotidien typique. Durée de lavage, température de l'eau et consommation d'eau moyennes.
HEAVY (INTENSE)	Pour la vaisselle très sale. Prolonge légèrement la durée de lavage, la température de l'eau et la consommation d'eau.
QUICK (RAPIDE)	Pour la vaisselle peu sale. Réduit la durée globale de lavage.

CYCLES+	DESCRIPTION
CHAUDRONS ET CASSEROLES	Pour les chaudrons, les casseroles et les cocottes très sales. Augmente la durée de lavage, la température de l'eau et la consommation d'eau.
TREMPAGE ET RÉCURAGE	Pour la vaisselle très sale. Augmente considérablement la durée de lavage, la température de l'eau et la consommation d'eau.
CLAIR	Pour la vaisselle très peu sale. Diminue la durée de lavage, la durée de séchage et la température de l'eau.
PORCELAINES/ CRISTAL	Pour la vaisselle sensible à la température et peu sale. Diminue la durée de lavage et la température de l'eau.
RINÇAGE/ ATTENTE	Pour tous les niveaux de saleté. Rince et garde la vaisselle pour un cycle de lavage futur.
PLASTIQUE	Pour la vaisselle en plastique régulièrement souillée. Augmente la température de l'eau de rinçage final et la durée de séchage en activant le ventilateur.
ÉNERGIE	Pour la vaisselle normalement salie. Réduit la température de l'eau et prolonge la durée du cycle.
EXTRA SILENCIEUX	Pour la vaisselle peu sale. Réduit la vitesse des pompes.

Fonctionnement du lave-vaisselle

CONFIGURATION DE L'UTILISATEUR

La configuration de l'utilisateur permet à ce dernier de choisir des préférences pour les options indiquées dans le tableau ci-dessous.

OPTIONS UTILISATEUR

Langue	Sélectionnez la langue.
Dureté de l'eau	Règle le paramètre de dureté de l'eau.
Connexion	Activez ou désactivez la connexion.*
Niveau de la tonalité	Règle le niveau de la tonalité.
Notification	Réglez la sonnerie de fin de cycle sur arrêt, bas ou élevé. S'il est réglé sur arrêt elle désactive également le voyant de fin de cycle.
Vitesse de défilement	Règle la vitesse du défilement à l'écran.
Contraste de l'affichage	Règle le contraste de l'affichage.
Luminosité de l'affichage	Règle la luminosité de l'affichage.
Voyant d'état	Réglez la luminosité et la durée du voyant d'état sur éteint, faible (2 heures) ou élevé (8 heures).
Dosage du produit de rinçage	Règle la quantité de produit de rinçage distribuée.
Mode démonstration	Pour utilisation dans les salles d'exposition seulement.
Réinitialiser tous	Rétablissez les paramètres réglés en usine.

*Pour se connecter à l'application propriétaire du groupe Sub-Zero, l'option Connecter doit être activée.

Réglage des options de l'utilisateur :

- 1 Appuyez sur Cancel (Annuler) deux fois.
- 2 Appuyez longuement sur Options pendant environ 10 secondes jusqu'à ce que le message « User Set Up (Configuration de l'utilisateur) apparaisse sur l'écran. Appuyez sur Options ou sur Cancel (Annuler) pour quitter » s'affiche à l'écran.
- 3 Appuyez sur Options plusieurs fois pour faire défiler jusqu'à l'option voulue.
- 4 Appuyez sur Enter (Entrée) plusieurs fois pour faire défiler jusqu'à l'option voulue.
- 5 Appuyez sur Cancel (Annuler) pour enregistrer les paramètres et quitter la configuration utilisateur.

DURETÉ DE L'EAU

Pour les modèles à adoucisseur d'eau seulement, utilisez la bande d'essai et le tableau ci-dessous pour déterminer le paramètre de dureté d'eau approprié.

RÉGLAGE

DURETÉ

0 (paramètre par défaut)	0 à 4 g/gal
1	5 à 6 g/gal
2	7 à 8 g/gal
3	9 à 11 g/gal
4	12 à 13 g/gal
5	14 à 15 g/gal
6	16 à 17 g/gal
7	18 à 19 g/gal
8	20 à 22 g/gal
9	23 à 24 g/gal
10	25+ g/gal

Établir la connexion de cet appareil

Reliez cet appareil pour le surveiller et le contrôler à distance. La connexion nécessite un routeur sans fil, une connexion Internet avec un nom de réseau et son mot de passe, ainsi qu'un dispositif mobile compatible. Il n'y a pas de limite au nombre d'appareils que vous pouvez relier à un compte. Vous pouvez relier des produits de plusieurs résidences au même compte. Il n'est pas obligatoire de relier les appareils.

Établissez la connexion dès aujourd'hui pour :

- Recevoir des alertes, des mises à jour sur le statut et des avis sur l'entretien de routine.
- Simplifiez les tâches quotidiennes grâce aux télécommandes et aux commandes vocales.
- Accéder rapidement aux manuels d'utilisation et aux conseils de nettoyage et d'entretien.

Connexion

Pour se connecter à l'application propriétaire du groupe Sub-Zero, l'option Connecter doit être activée.

Pour activer l'option connecter :

- 1 Appuyez longuement sur Options pendant environ 10 secondes jusqu'à ce que le message « User Set Up (Configuration de l'utilisateur) apparaisse sur l'écran. Appuyez sur Options ou sur Cancel (Annuler) pour quitter » s'affiche à l'écran.
- 2 Appuyez plusieurs fois sur Options pour accéder à Connecter, puis appuyez sur Enter (Entrée).
- 3 Appuyez sur Cancel (Annuler) pour quitter.

Pour établir la connexion :

- 1 Téléchargez l'appli gratuite Sub-Zero Group Owner depuis l'App Store d'Apple ou Google Play.
- 2 Après avoir activé la fonction BluetoothMD sur votre dispositif, placez-vous à une distance d'environ un mètre de l'appareil, ouvrez l'application et suivez les directives qui apparaissent à l'écran.
- 3 Ouvrez une session ou créez un compte.
- 4 Appuyez sur Ajouter un appareil pour ajouter des appareils. Pour identifier l'appareil à relier, ouvrez sa porte.
- 5 Tapez sur + à côté de l'appareil pour le sélectionner. Si des appareils identiques apparaissent, une étape supplémentaire identifie l'appareil à relier.
- 6 Tapez sur Pair Via BluetoothMD (relier par BluetoothMD). Attendez que la configuration soit terminée, puis tapez sur Set Up Your Appliance For Pairing (configurer votre appareil pour la connexion).
- 7 Tapez sur Choose a Network (choisir un réseau) sur l'écran Connect Your Appliance to Wi-Fi (relier votre appareil au Wi-Fi).
- 8 Sélectionnez le réseau Wi-Fi résidentiel et saisissez le mot de passe du réseau.
- 9 Tapez sur Turn on Notifications (activer les notifications) pour permettre l'envoi de notifications au sujet de l'appareil (par exemple, si la porte a été laissée entrouverte).
- 10 Tapez sur Done (terminé) sur l'écran Success (réussite) pour terminer la configuration.

Verrouillage des commandes

La fonction de verrouillage des commandes empêche le fonctionnement non désiré du panneau de commande. La fonction de verrouillage demeurera activée, même après une panne de courant.

Pour activer ou désactiver la fonction de verrouillage des commandes :

- 1 Pour mettre en marche, appuyez longuement sur Quick (Rapide) pendant environ 10 secondes jusqu'à ce que « Child Lock » (Verrouillage parental) s'affiche sur l'écran. « Locked » (Verrouillé) apparaîtra sur l'écran jusqu'à ce que le verrouillage des commandes soit désactivé.
- 2 Pour désactiver, enfoncez et appuyez sur Quick (Rapide) pendant environ 10 secondes jusqu'à ce que « Child Lock: Off » (Verrouillage parental désactivé) s'affiche sur l'écran.

REMARQUE IMPORTANTE : La fonction de verrouillage parental et la fonction Shabbath ne peuvent pas être activées simultanément.

Mode Shabbath

Le mode Shabbath désactive tous les voyants et les sons, et bloque tous les changements au fonctionnement du lave-vaisselle. Le mode Shabbath demeurera activée, même après une panne de courant.

Pour activer ou désactiver le mode Shabbath :

- 1 Pour mettre en marche, appuyez longuement sur Quick (Rapide) pendant environ 10 secondes jusqu'à ce que « Sabbath » (Shabbath) s'affiche sur l'écran. « Sabbath » (Shabbath) apparaît sur l'écran jusqu'à ce que le mode Shabbath soit désactivé.
- 2 Pour désactiver, appuyez sans relâcher Quick (Rapide) pendant environ 10 secondes jusqu'à ce que « Sabbath Off » (Shabbath désactivé) s'affiche sur l'écran.

REMARQUE IMPORTANTE : La fonction de verrouillage parental et la fonction Shabbath ne peuvent pas être activés simultanément.

Lumières

VOYANT D'ÉTAT

Le voyant de statut s'allume pour indiquer le statut du cycle.

VOYANT	STATUT DU CYCLE
Bleu	Une mise en marche différée a été choisie. Appuyez sur Start (Démarrage) chaque fois que la porte est ouverte avant l'heure de mise en marche.
Rouge	Le cycle a commencé.
Vert	Le cycle est terminé.
Pas de voyant	La porte n'a pas été fermée dans les 4 secondes suivant l'appui sur Start (Démarrage), le cycle est terminé depuis plus de deux heures (réglage du voyant d'état bas) / huit heures (réglage du voyant d'état haut), ou la porte a été ouverte après la fin du cycle.

LUMIÈRE INTÉRIEURE

Les lumières intérieures s'allumeront lorsque la porte est ouverte. Elles demeureront allumées pendant 10 minutes, s'atténueront après 10 minutes et s'éteindront après 15 minutes. Tout mouvement de la porte active le système d'éclairage.

Paniers du lave-vaisselle

RETRAIT DES PANIERS

Tous les paniers peuvent être retirés. Au besoin, le lave-vaisselle peut être utilisé lorsque l'un ou l'autre des paniers est retiré.

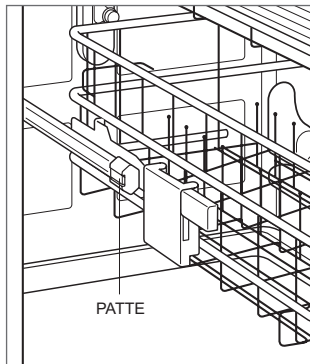
Pour retirer les paniers supérieur et du milieu :

REMARQUE IMPORTANTE : Si le panier du milieu est retiré, la buse de pulvérisation doit être installée avant de commencer un cycle. Reportez-vous à l'illustration ci-dessous.

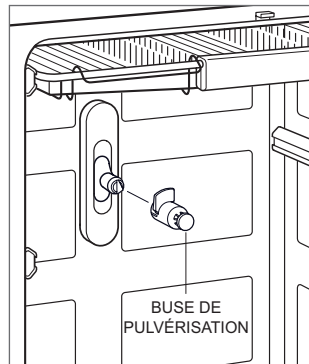
- 1 Tirez le panier jusqu'à sa pleine extension.
- 2 Tirez sur l'onglet situé sur le côté des pinces de panier puis retirez les pinces de l'extrémité de chaque glissière de panier. Reportez-vous à l'illustration ci-dessous.
- 3 Tirez le panier vers l'avant pour le retirer.

Pour retirer le panier inférieur :

- 1 Tirez le panier jusqu'à sa pleine extension.
- 2 Soulevez vers le haut et l'extérieur.



Retrait du panier



Installation de la buse de pulvérisation

PANIER DU MILIEU À HAUTEUR RÉGLABLE

Chaque côté du panier est réglable. Ajustez l'un des côtés ou les deux pour accueillir des objets de grande taille dans le panier inférieur.

Pour déplacer le panier vers le bas :

- 1 Tirez le panier vide jusqu'à sa pleine extension.
- 2 Soulevez les leviers de réglage verts de chaque côté et laissez le panier se déplacer vers le bas jusqu'à l'endroit souhaité. Les leviers de réglage ne sont nécessaires que pour déplacer le panier vers le bas. Reportez-vous à l'illustration ci-dessous.

Pour déplacer le panier vers le haut :

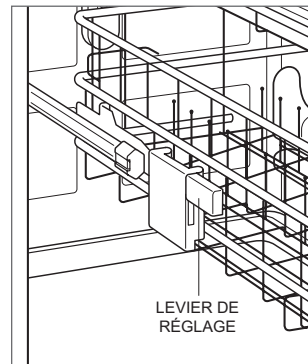
- 1 Tirez le panier jusqu'à sa pleine extension.
- 2 Soulevez le panier au-dessus des leviers de réglage.

DENTS REPLIABLES

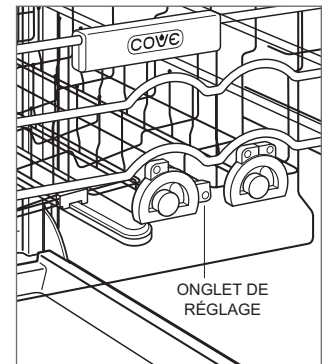
Certaines des dents peuvent être ajustées pour accommoder une variété de vaisselle.

Pour ajuster les dents repliables :

- 1 Tirez le panier jusqu'à sa pleine extension.
- 2 Poussez et tournez les onglets de réglage verts pour replier les dents voulues. Reportez-vous à l'illustration ci-dessous.



Réglage de la hauteur



Ajustement des dents

Paniers du lave-vaisselle

TABLETTES REPLIABLES

Les paniers supérieur et du milieu sont munis de tablettes repliables qui peuvent être ajustées pour accueillir des objets plus petits et soutenir des verres à pied.

Pour ajuster les tablettes repliables :

- 1 Pivotez la tablette vers le bas. Pour les modèles à hauteur ADA, soulevez légèrement la tablette, puis faites-la pivoter vers le bas pour enclencher le support. Reportez-vous aux illustrations ci-dessous.

PANIER À USTENSILES

Les paniers à ustensiles sont situés à l'avant du panier inférieur et peuvent être retirés.

Pour retirer les paniers à ustensiles :

- 1 Tirez le panier inférieur jusqu'à sa pleine extension.
- 2 Soulevez le panier vers le haut et l'extérieur.

⚠ AVERTISSEMENT

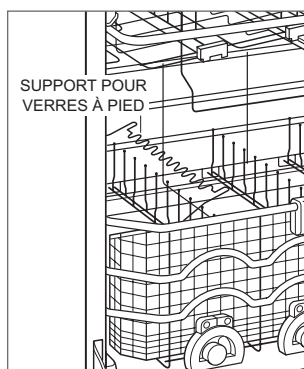
Les couteaux et les autres ustensiles pointus doivent être placés dans les paniers en gardant la pointe vers le bas ou encore, en position horizontale.

SUPPORT POUR VERRES À PIED

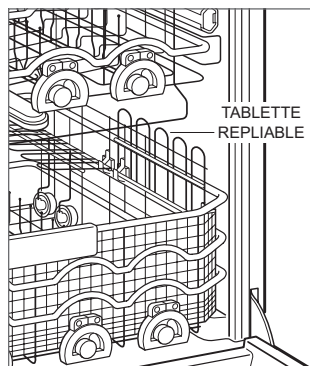
Le panier inférieur possède un support pour verres à pied qui peut être ajusté pour accommoder des verres à pied.

Pour ajuster le support pour verres à pied :

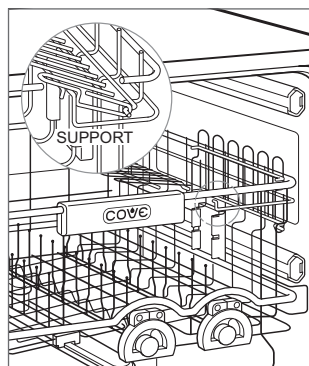
- 1 Pivotez le support vers le bas. Reportez-vous à l'illustration ci-dessous.



Support pour verres à pied



Tablette repliable



Tablette repliable (hauteur ADA)

Distributeur

Le distributeur situé dans la partie intérieure de la porte possède un compartiment pour le détergent et un autre pour le produit de rinçage. Reportez-vous aux illustrations ci-dessous.

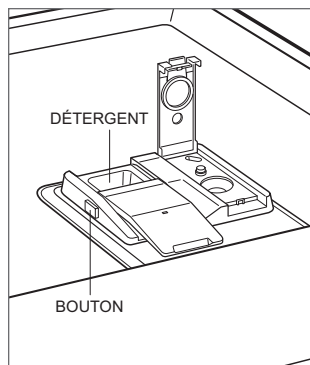
L'utilisation d'une trop grande quantité de détergent dans de l'eau très douce peut entraîner un aspect trouble sur la verrerie. Pour les détergents liquides, en gel et en poudre uniquement, ajustez la quantité de détergent en fonction de la dureté de l'eau. Reportez-vous au tableau ci-dessous.

DURETÉ	NIVEAU DE REMPLISSAGE
0 à 3 g/gal	1/3
4 à 8 g/gal	2/3
9+ g/gal	Plein

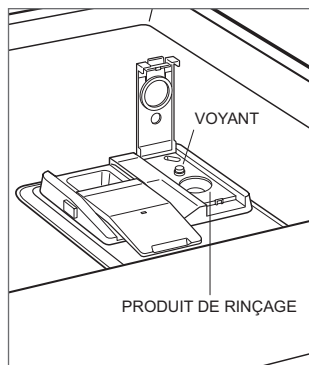
REMARQUE : Cove ne recommande pas l'utilisation de détergent pour le pré-lavage.

REMARQUE : Il est recommandé d'utiliser un agent de rinçage séparément, même lorsque votre détergent en contient déjà un.

REMARQUE : Vérifiez que l'intérieur du distributeur et les mains sont secs avant d'insérer le détergent.



Distributeur de détergent



Distributeur de produit de rinçage

Pour ajouter du détergent pour lave-vaisselle :

- 1 Ajoutez le détergent dans le compartiment situé à la gauche.
- 2 Glissez le couvercle pour le fermer.

Pour ouvrir le couvercle lorsqu'il est fermé, enfoncez le bouton situé sur le côté du distributeur.

Pour ajouter un produit de rinçage :

- 1 Soulevez l'onglet du couvercle à la droite.
- 2 Ajoutez le produit de rinçage. Le compartiment pour produit de rinçage est plein lorsque l'indicateur est de la même couleur que le produit.
- 3 Essuyez tout déversement accidentel de produit de rinçage qui se serait produit.

Lorsque le niveau de produit de rinçage est bas, « Ajouter du produit de rinçage. Appuyez sur Entrer (Entrée) une fois terminé, ou Annuler pour ignorer) s'affiche sur l'écran.

⚠ MISE EN GARDE

N'ajoutez rien d'autre que du détergent pour lave-vaisselle ou un nettoyant pour lave-vaisselle au compartiment de détergent et un produit de rinçage au compartiment de produit de rinçage.

Adoucisseur d'eau

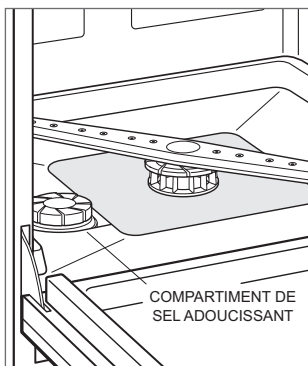
Pour les modèles à adoucisseur d'eau seulement, un compartiment de sel se trouve au fond à l'intérieur. Reportez-vous à l'illustration ci-dessous.

Avant de remplir le compartiment de sel la première fois, remplissez le compartiment avec de l'eau, puis ajoutez le sel. Vous n'aurez pas à ajouter de l'eau lors des remplissages subséquents.

Lorsque le niveau de sel adoucissant est bas, « Ajoutez du sel. Appuyez sur Entrer (Entrée) une fois terminé, ou Annuler pour ignorer) s'affiche sur l'écran.

Pour ajouter du sel adoucissant :

- 1 Tirez le panier inférieur vers l'avant, et si nécessaire, tournez le bras de pulvérisation inférieur loin du couvercle du compartiment.
- 2 Tournez le couvercle dans le sens antihoraire pour le retirer. Il est normal de voir de l'eau dans le réservoir.
- 3 Remplissez le compartiment au complet avec du sel adoucissant pour lave-vaisselle.
- 4 Une fois rempli, nettoyez tout excédent de sel se trouvant sur les filets du compartiment de sel, puis tournez le couvercle dans le sens horaire pour le fermer solidement.
- 5 Lancez un cycle Quick (Rapide).



Compartiment de sel adoucissant

⚠ ATTENTION

N'ajoutez pas toute autre chose que du sel à lave-vaisselle au compartiment de sel.

L'adoucisseur d'eau doit se régénérer périodiquement pour maintenir la qualité de l'eau. Lorsque cela est nécessaire, le processus de régénération commence automatiquement avant le cycle de lavage suivant et dure environ 20 minutes. Le cycle de lavage commence lorsque le processus de régénération est terminé. « Adoucisseur d'eau activé. Appuyez sur démarrage. » apparaît sur l'écran durant le processus de régénération. Pour continuer, appuyez sur Start (Démarrage) et fermez la porte.

Nettoyage

BRAS DE PULVÉRISATION

Les bras de pulvérisation supérieur et inférieur et central sont amovibles, ce qui permet de les nettoyer facilement.

Pour retirer le bras de pulvérisation supérieur :

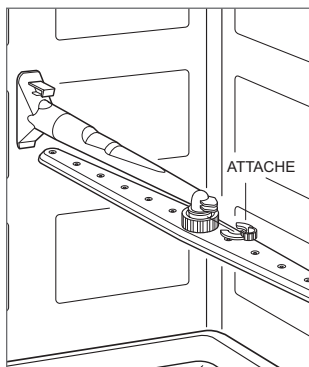
- 1 Pour accéder au bras de pulvérisation supérieur, retirez le panier à coutellerie supérieur.
- 2 Poussez vers le haut et tournez l'ensemble du bras de pulvérisation dans le sens antihoraire pour le retirer.

Pour retirer le bras de pulvérisation central :

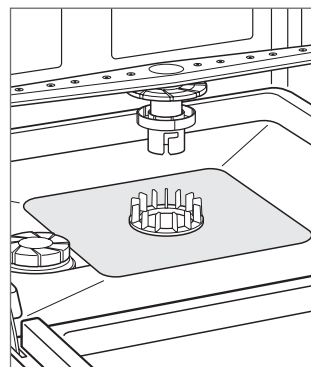
- 1 Pour accéder au bras de pulvérisation central, retirez le support central, puis la pince verte. Reportez-vous à l'illustration ci-dessous.
- 2 Poussez vers le haut et tournez l'ensemble du bras de pulvérisation central dans le sens antihoraire pour le retirer.

Pour retirer le bras de pulvérisation inférieur :

- 1 Pour accéder au bras de pulvérisation inférieur, retirez le panier inférieur.
- 2 Pivotez le bras de pulvérisation inférieur dans le sens antihoraire d'un $\frac{1}{8}$ de tour, puis soulevez pour le retirer. Reportez-vous à l'illustration ci-dessous.



Retrait du bras de pulvérisation central



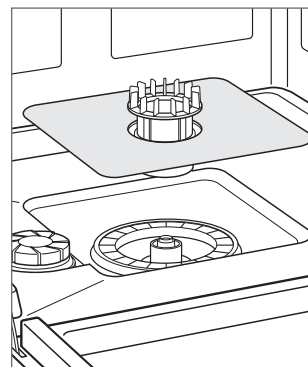
Retrait du bras de pulvérisation inférieur

FILTRE

Le filtre doit être lavé souvent. Une utilisation intense peut nécessiter des lavages plus fréquents. « Nettoyez le filtre. Appuyez sur Entrer (Entrée) une fois nettoyé, ou Annuler pour ignorer » s'affiche sur l'écran après 30 cycles. Il s'agit d'un rappel et ne représente pas le niveau de saleté du filtre.

Pour retirer le filtre :

- 1 Retirez le panier inférieur et le bras de pulvérisation inférieur.
- 2 Exercez une légère pression vers le bas sur le filtre, puis tournez le filtre de $\frac{1}{8}$ de tour dans le sens antihoraire
- 3 Soulever le filtre pour le retirer. Reportez-vous à l'illustration ci-dessous.



Retrait des filtres

Nettoyage

DÉTARTRAGE

« Détartre l'appareil. Vérifiez le manuel. » s'affiche à l'écran lorsque le lave-vaisselle doit être détartré. Utilisez un nettoyant pour lave-vaisselle ou de l'acide citrique pour éliminer les résidus d'eau dure et les dépôts de calcaire.

Pour détartrer :

- 1 Videz le lave-vaisselle.
- 2 Placez un produit de nettoyage pour lave-vaisselle ou 3 cuillères à soupe (44 ml) d'acide citrique dans le distributeur de détergent, puis faites glisser le couvercle pour le fermer.
- 3 Appuyez sur Cycles+ plusieurs fois pour faire défiler jusqu'à Trempage et récurage.
- 4 Appuyez sur Start (Démarrage) et fermez la porte dans un délai de 4 secondes.

Conseils d'entretien

NETTOYAGE

Acier inoxydable	Utilisez un nettoyant non abrasif pour l'acier inoxydable et appliquez-le avec un chiffon doux et non pelucheux. Pour faire ressortir le lustre naturel, essuyez légèrement la surface avec un chiffon en micro-fibre humecté d'eau, suivi d'un chamois à polir sec. Déplacez toujours le chiffon dans le sens du grain de l'acier inoxydable.
Panneau de commande	Essuyez avec un chiffon humide.
Paniers du lave-vaisselle	Reportez-vous à la page 14 pour le retrait. Essuyez avec un chiffon humide.
Intérieur	Nettoyez l'intérieur tous les trois mois environ. Essuyez l'intérieur, le rebord de la porte et le joint en caoutchouc avec un chiffon humide. Si nécessaire, pulvérisez un nettoyant domestique sur le chiffon. Ne pulvérisez pas directement sur la porte. Utilisez un produit de nettoyage pour lave-vaisselle ou de l'acide citrique. Reportez-vous aux spécifications page 19.
Bras de pulvérisation	Reportez-vous à la page 18 pour le retrait. Nettoyez les bras de pulvérisation tous les six mois. Placez sous l'eau courante et utilisez un trombone ou un objet similaire pour éliminer les débris des trous.
Filtre	Reportez-vous à la page 18 pour le retrait. Nettoyez avec de l'eau et du savon. Pour la saleté rebelle ou les dépôts de calcium, utilisez une brosse souple. N'utilisez pas une brosse métallique ou un tampon à récurer.
Joint	Essuyez avec un chiffon humide. Utilisez de l'eau chaude savonneuse et une brosse à dents. Si vous voyez de la moisissure, pulvérisez avec du peroxyde d'hydrogène à 3 %.

Dépannage

FONCTIONNEMENT

Le lave-vaisselle ne fonctionne pas.

- Assurez-vous que l'unité est sous tension.
- Vérifiez l'alimentation électrique vers le lave-vaisselle et que le disjoncteur de la résidence est en marche.
- Vérifiez que le verrouillage pour enfants, le mode Shabbat et le mode salle de démonstration ne sont pas activés.

La vaisselle n'est pas propre après un cycle de lavage.

- Vérifiez que le lave-vaisselle est raccordé à un point d'eau chaude.
- Vérifiez que les bras de pulvérisation tournent librement en les tournant à la main, puis vérifiez que les orifices sont propres et exempts de débris.
- Vérifiez que la vaisselle ne soit pas placée trop près l'une de l'autre, et que les tasses et les bols sont à l'envers et pas emboîtés.
- Lancez un cycle de lavage intense.
- Communiquez avec le service à la clientèle de Cove au 800-222-7820 pour obtenir des recommandations.

La vaisselle n'est pas sèche après un cycle de lavage.

- Confirmez qu'il y a du produit de rinçage dans le distributeur (même si le détergent comprend un produit de rinçage).
- Sélectionnez un cycle de lavage autre que Quick (Rapide) ou Light (Léger), dont la durée du séchage est limitée.
- Mettez la fonction Extra Dry ou Extended Dry (séchage supplémentaire ou séchage prolongé) en marche. Reportez-vous à la section Options de cycle à la page 8.
- Augmentez le dosage du produit de rinçage. Reportez-vous à Configuration de l'utilisateur à la page 11.

Excès d'humidité sur la cuve à la fin du cycle de lavage.

- Confirmez qu'il y a du produit de rinçage dans le distributeur (même si le détergent comprend un produit de rinçage).

Des stries ou des taches apparaissent sur la vaisselle et la verrerie.

- Augmentez le dosage du produit de rinçage. Reportez-vous à Configuration de l'utilisateur à la page 11.

« Erreur 800115. Consultez le manuel » s'affiche sur l'écran.

- Vérifiez que la conduite de vidange et l'espace d'air (le cas échéant) sont dégagés et exempts de débris.
- Vérifiez que l'évacuation des déchets n'est pas obstruée et que l'obturateur (le cas échéant) a été retiré.
- Vérifiez que la conduite d'évacuation des déchets n'est pas obstruée et que la débouchure (le cas échéant) a été retirée.
- Retirez le bras de pulvérisation inférieur et le filtre et vérifiez qu'ils ne sont pas obstrués. Reportez-vous à la section Nettoyage à la page 18.

« Erreur 560186. Consultez le manuel. » ou « Erreur 560187. Consultez le manuel » s'affiche sur l'écran.

- Vérifiez que l'arrivée d'eau est en position ouverte.
- Vérifiez que la conduite l'arrivée d'eau n'est pas pliée

« Erreur 980199. Coupure d'électricité. Vérifiez le détergent. Appuyez sur Annulez et redémarrer le cycle » s'affiche sur l'écran.

- Ajoutez du détergent, si nécessaire. Appuyez sur Annuler et redémarrez le cycle.
- Si l'erreur persiste, veuillez contacter le service à la clientèle.

« Erreur 700181. Appeler le service à la clientèle » s'affiche sur l'écran.

- Nettoyez le filtre. Reportez-vous à la section Nettoyage à la page 18.
- Lancez le cycle Rinçage/Attente.
- Si l'erreur apparaît à nouveau, communiquez avec le service à la clientèle.

« Détartrer l'appareil. Consultez le manuel » s'affiche sur l'écran.

- Le lave-vaisselle doit être détartré. Reportez-vous aux spécifications page 19.

Dépannage

SERVICE

- Préservez la qualité et l'intégrité de votre produit en communiquant avec un service Cove certifié par l'usine. Pour obtenir le nom du centre de service Cove certifié par l'usine le plus proche, consultez la section Support produit dans notre site Web, coveappliance.com, ou appelez le service à la clientèle de Cove au 800-222-7820.
- Si vous nous contactez pour un service après-vente, vous devrez fournir le numéro de modèle et le numéro de série de votre produit. Ces deux numéros figurent sur la plaque signalétique du produit. Reportez-vous à la page 6 pour connaître l'emplacement de la plaque signalétique.
- Pour les besoins de la garantie, vous devrez aussi avoir la date d'installation et le nom de votre dépositaire Cove autorisé. Ces renseignements doivent être notés à la page 3.

Garantie limitée résidentielle Cove Appliance

POUR UTILISATION RÉSIDENIELLE

GARANTIE COMPLÈTE DE CINQ ANS*

Pendant cinq ans à compter de la date d'installation originale, cette garantie de produit Cove Appliance couvre toutes les pièces et la main d'œuvre pour réparer ou remplacer, selon un usage résidentiel normal, toute partie du produit qui s'avérerait défectueuse en vertu des matériaux ou de la fabrication. Tout service fourni par Cove Appliance en vertu de la garantie ci-dessus doit être effectué par un Centre de service Cove certifié par l'usine, à moins d'indication contraire de la part de Cove Appliance, Inc. Le service sera fourni pendant les heures normales d'affaires.

GARANTIE À VIE LIMITÉE

Pendant la durée utile du produit, Cove Appliance réparera ou remplacera les pièces suivantes qui s'avèreront défectueuses en vertu des matériaux ou de la fabrication : la cuve et le revêtement de porte en acier inoxydable (sauf la corrosion en surface, les égratignures, la décoloration, les taches causées par les intempéries et liées à l'atmosphère et la rouille et l'oxydation mineures en surface). Si le propriétaire utilise le Service Cove certifié par l'usine, le fournisseur de service réparera ou remplacera ces pièces et le propriétaire devra régler tous les autres frais, y compris la main d'œuvre. Si le propriétaire fait appel à un service non certifié, il doit communiquer avec Cove Appliance, Inc. (voir les renseignements ci-dessous) pour obtenir des pièces réparées ou de rechange. Cove Appliance ne remboursera pas le propriétaire pour les pièces achetées d'un service non certifié ou d'autres sources.

CONDITIONS S'APPLIQUANT À CHAQUE GARANTIE

La garantie s'applique uniquement aux produits installés pour un usage résidentiel normal. La garantie s'applique seulement aux produits installés dans l'un des cinquante états des États-Unis, dans le District of Columbia ou les dix provinces du Canada. Cette garantie ne couvre aucune pièce ou main d'œuvre nécessaire pour réparer toute défaillance résultant d'un acte négligent, d'un accident ou d'une mauvaise utilisation, d'une mauvaise maintenance, d'une mauvaise installation, d'un mauvais entretien ou d'une mauvaise réparation.

LES RECOURS DÉCRITS CI-DESSUS POUR CHAQUE GARANTIE SONT LES SEULS QUE COVE APPLIANCE, INC. FOURNIRA, QUE CE SOIT EN VERTU DE LA PRÉSENTE GARANTIE OU DE TOUTE GARANTIE DÉCOULANT DE L'APPLICATION DE LA LOI. COVE APPLIANCE, INC. NE SERA PAS TENUE RESPONSABLE DES DOMMAGES INDIRECTS OU CONSÉCUTIFS ISSUS DE LA VIOLATION DE CETTE GARANTIE OU DE TOUTE AUTRE GARANTIE, EXPRESSE, IMPLICITE OU LÉGALE.

Certaines provinces ne permettent pas l'exclusion ou la restriction des dommages indirects ou consécutifs, par conséquent, la limite ou l'exclusion ci-dessus peut ne pas s'appliquer à votre cas. Cette garantie vous confère des droits légaux précis et vous pouvez aussi avoir d'autres droits légaux qui peuvent varier d'une province à l'autre.

Pour obtenir des pièces ou du service et le nom du centre de service Cove certifié par l'usine le plus proche, communiquez avec Cove Appliance, Inc., P.O. Box 44848, Madison WI, 53744 É.-U.; consultez la section Support produit dans notre site Web, coveappliance.com, envoyez-nous un courriel à customerservice@subzero.com ou composez le 800-222-7820.

*L'acier inoxydable (les portes, les panneaux, les poignées, les cadres et les surfaces intérieures) est couvert par une garantie limitée de 60 jours pièces et main d'œuvre pour les défauts esthétiques.





COVE APPLIANCE, INC. P.O. BOX 44848 MADISON, WI 53744 COVEAPPLIANCE.COM 800.222.7820

9054687 REV-B

05/2024

