



Fryer Module

Use and Care Guide



CLEANING, MAINTENANCE,
AND MORE



Contents

3	Fryer Module
4	Safety Precautions
5	Fryer Module Features
6	Fryer Module Operation
13	Care Recommendations
14	Troubleshooting
15	Wolf Warranty

Customer Care

The model and serial number are printed on the enclosed product registration card. Both numbers are also listed on the product rating plate. Refer to page 5 for rating plate location. For warranty purposes, you will also need the date of installation and name of your authorized Wolf dealer. Record this information below for future reference.

SERVICE INFORMATION

Model Number	_____
Serial Number	_____
Date of Installation	_____
Certified Service Name	_____
Certified Service Number	_____
Authorized Dealer	_____
Dealer Number	_____

If your product ever needs attention, be sure to use a Wolf Factory Certified Service provider recommended by our Customer Care Center, or select one from our list of providers available at wolfappliance.com/locator. All Factory Certified Service providers are carefully selected and thoroughly trained by us.

Important Note

To ensure this product is installed and operated as safely and efficiently as possible, take note of the following types of highlighted information throughout this guide:

IMPORTANT NOTE highlights information that is especially important.

⚠ CAUTION

Indicates a situation where minor injury or product damage may occur if instructions are not followed.

⚠ WARNING

States a hazard that may cause serious injury or death if precautions are not followed.

IMPORTANT NOTE: Throughout this guide, dimensions in parentheses are millimeters unless otherwise specified.

IMPORTANT INSTRUCTIONS

GENERAL SAFETY PRECAUTIONS

IMPORTANT NOTE: Read all safety instructions before using this appliance.

- Read this guide carefully before using this appliance to reduce risk of fire, electric shock, or injury.
- This appliance must be properly installed and serviced by a qualified installer, service agency, or gas supplier and grounded by a qualified technician.
- Do not leave children alone or unattended in the area where this appliance is in use. Never allow children to sit or stand on the appliance.
- Never leave this appliance unattended when in use. Boilovers and greasy spills may smoke or ignite.
- Do not use water on grease fires. Smother the flame or use a dry chemical or foam-type extinguisher.
- Do not repair or replace any part of this appliance unless specifically recommended in literature accompanying this appliance.
- Do not store or use gasoline or other flammable vapors and liquids in the vicinity of this or any other appliance.
- Always use dry pot holders. Wet or damp pot holders can cause steam burns. Do not use a towel or bulky cloth in place of pot holders.
- Do not heat unopened food containers, such as baby food jars and cans. Pressure build-up may cause the container to burst and cause injury.
- Never use this appliance to warm or heat the room.
- Wear proper apparel. Loose-fitting or hanging garments should never be worn while using this appliance.
- Do not touch hot surfaces. Use handles or knobs.
- To protect against electrical shock do not immerse heater elements in water or other liquid.
- Allow to cool before putting on or taking off parts and before cleaning.
- Do not operate any appliance with damaged parts or after the appliance malfunctions or has been damaged in any manner. Return appliance to the nearest authorized service facility for examination, repair, or adjustment.
- The use of accessory attachments not recommended by the appliance manufacturer may cause injuries.
- Do not use outdoors.
- Do not use appliance for other than the intended use.

⚠ WARNING

PROPOSITION 65 FOR CALIFORNIA RESIDENTS

**Cancer and Reproductive Harm—
www.P65Warnings.ca.gov**

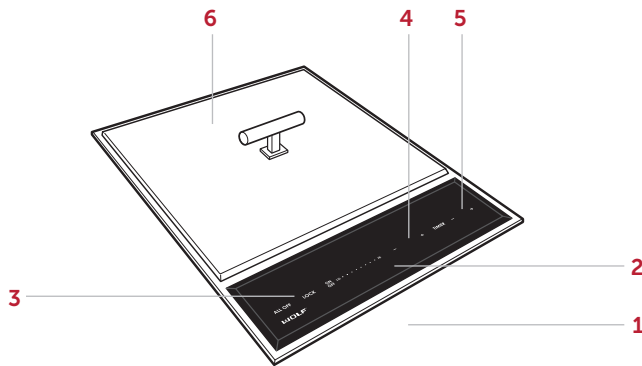
SAVE THESE INSTRUCTIONS

Fryer Module Features

Fryer Module Features

FEATURES

1	Product Rating Plate (bottom of module)
2	Control Panel
3	Control Panel Lock
4	Temperature Display
5	Timer Display
6	Low-Profile Lid
7	Fryer Baskets
8	Reversible Basket Hanger
9	Fryer Basin
10	Oil Level Lines

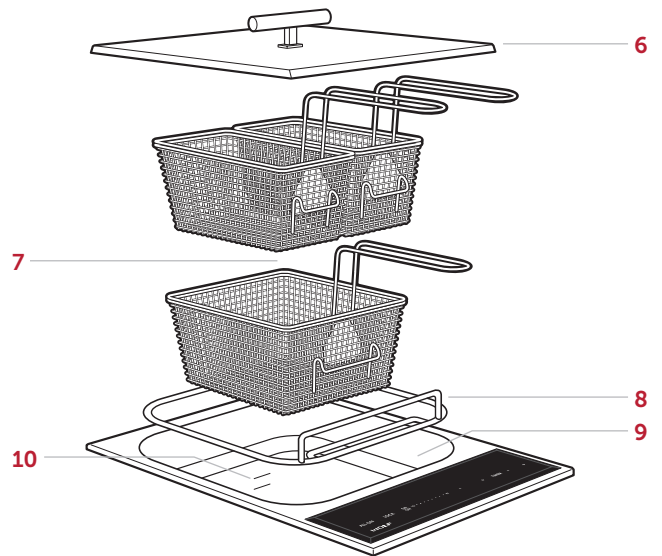


Fryer Module

FRYER MODULE ASSEMBLY

To assemble, place the reversible basket hanger into the fryer basin. The fryer baskets have hangers on each end. Two small or one large basket can be placed on the basket hanger.

For storage, the lid can be placed over the fryer baskets with the handles collapsed. To collapse, pull the handle apart just above the basket and rotate inward.



Fryer module assembly

Getting Started

We know you are eager to start cooking, but before you do, please take some time to read this use and care guide. Whether you are an occasional cook or an expert chef, it will be to your benefit to familiarize yourself with the safety practices, features, operation, and care recommendations of your Wolf Fryer Module.

To ensure all residual oil from the manufacturing process has been removed, clean the fryer module thoroughly with hot water and a mild detergent prior to use. Rinse and dry with a soft cloth. Refer to Care Recommendations on page 13.

IMPORTANT NOTE: Do not operate the fryer module with the lid in place.

Fryer Module Operation





Fryer Operation

CONTROL PANEL


The control panel features illuminated touch controls. A power level indicator for the heating element displays the heat setting from Lo to Hi. Refer to the illustration below.

Indicators on the control panel illuminate to indicate specific module operation. Refer to the chart below.

CONTROL PANEL INDICATOR

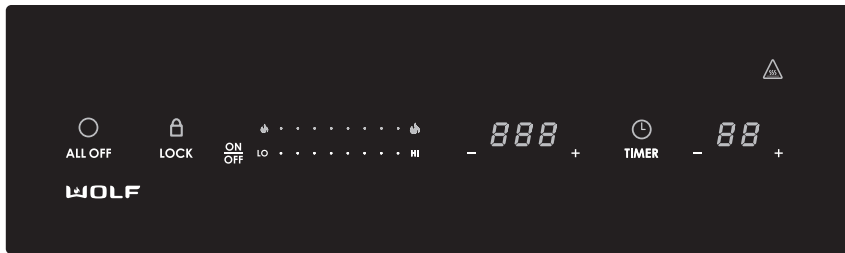
	Control Panel Locked
	Element On
	Hot Oil
	Timer Set

CONTROL PANEL LOCK

The control panel lock feature prevents unwanted module operation. Touch and hold Lock for three seconds to lock and unlock the control panel.  illuminates when the control panel is locked.

The control panel automatically locks after 10 minutes of inactivity. This automatic lock feature can be disabled through the extended options menu. Refer to page 11.

When the module is powered up for the first time and after a power outage, the module will default to lock mode.



Control panel

Fryer Operation

POWER LEVEL

When the heating element is activated, the power level indicator illuminates indicating the level of heat. The lowest heat is represented by the small flame, varying levels of heat by additional indicators (dots), and the highest heat by all indicators including the large flame. Refer to the chart below.

SETTING	POWER LEVEL	USES
Melt	1 (small flame) indicator	Melting lard or shortening.
Low	2–6 indicators	Heating oil.
Medium	6–7 indicators	Frying frozen foods, fresh doughnuts, French fries.
Medium High	7–8 indicators	Frying breaded chicken pieces and seafood.
High	8–10 (large flame) indicators	Frying breaded vegetables, tortilla chips, Cornish hens.

POWER LEVEL INDICATOR

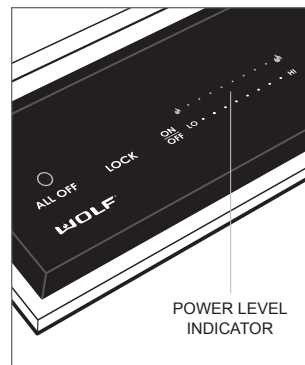
IMPORTANT NOTE: Always fill the basin with oil prior to activating the fryer module.

Setting controls:

- 1 To activate the fryer module, touch On/Off on the control panel. The power level indicator and all indicators will flash. Refer to the illustration below.
- 2 To complete the activation, touch Hi for highest heat, Lo for lowest heat, or touch the desired preset power level indicator.
- 3 To change the heat setting while the unit is on, touch or slide to the desired preset power level or touch + or – to adjust the temperature in 1° increments.
- 4 To turn the unit off, touch On/Off.

PREHEAT


Preheat the fryer module until the oil temperature reaches the set temperature before adding food. Always cook food in a fryer basket, never place food directly into the fryer basin.



Power level indicator

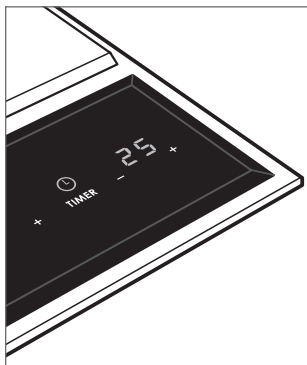
Fryer Operation

TIMER

The timer can be set in one-minute increments up to 99 minutes. Once a time is set,  illuminates on the control panel and the countdown is visible on the timer display. Refer to the illustration below. The timer is independent from module operation.


Setting timer:

- 1 Touch Timer.
- 2 Touch and hold + or – until the desired time is shown on the timer display. The timer begins the countdown in minutes.
- 3 The timer chimes with one minute left and completes the countdown in seconds.
- 4 When complete, the timer chimes and continues to chime until Timer is touched.




Timer control

HOT OIL INDICATOR

 illuminates on the control panel and remains on until the oil temperature is below 140°F (60°C). It may remain illuminated even when the fryer module is off.

ALL OFF

When the heating element is activated,  illuminates on the control panel. To turn the element off, touch All Off.

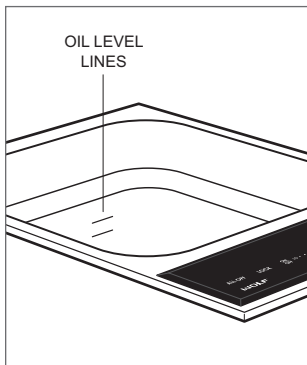
Fryer Operation

OIL LEVEL

There are two oil level indicators on the fryer basin. The lower line represents the minimum fill level of 10 cups (2.4 L). The upper line represents the maximum fill level of 5 quarts (4.7 L). Refer to the illustration below. Do not add oil above the upper line.

If the oil level is too low or there is excessive sediment in the oil, "Lo" appears on the control panel display. Power to the heating element is automatically disabled and the unit enters lock mode.

Add or strain oil, then touch Timer to resume operation.



Oil level

MELT

To initiate the melt feature, touch Lo. This will slowly melt shortening or lard to a liquid state, then heat to and maintain an oil temperature setting of 190°F (90°C).

⚠ WARNING

To avoid damage to the fryer, melt all solid fats before attempting to heat to deep-frying temperature.

Fryer Operation

EXTENDED OPTIONS

The extended options feature allows the user to set preferences for volume, tone, and control panel lock.

Setting extended options:

- 1 While the unit is off and unlocked, touch and hold All Off for five seconds.
- 2 "Vo" appears on the timer display. Touch Lo or Hi to adjust volume.
- 3 Touch + on the timer control to adjust tone. "Fr" appears on the timer display. Touch Lo or Hi to adjust tone.
- 4 Touch + on the timer control to adjust the automatic control panel lock. "Lo" appears on the timer display. Touch Lo or Hi to turn the automatic lock feature off or on.
- 5 Touch + on the timer control to adjust temperature offset. "Of" appears on the timer display. Degrees of offset appear on the temperature display. Touch temperature + or – to adjust offset.
- 6 Touch + on the timer control to adjust temperature units. "Un" appears on the timer display. "F" or "C" appears on the temperature display. Touch temperature + or – to adjust units.
- 7 Touch All Off to confirm settings.

DEEP-FRYING

- 1 Fill the fryer basin with oil to the oil level line.
- 2 Place the basket hanger into the fryer basin.
- 3 Touch On/Off on the control panel to turn the unit on, then set the desired power level. During preheat, the display alternates between the actual oil temperature and set temperature. A chime indicates the set temperature is reached.
- 4 Add food to the fryer basket, then place the basket into the fryer basin.
- 5 Once frying is complete, place the basket on the basket hanger and allow food to drain.
- 6 Touch On/Off to turn the unit off.

After the oil has cooled below 140°F (60°C), remove food particles and cover with the lid to prevent contamination.

Care Recommendations

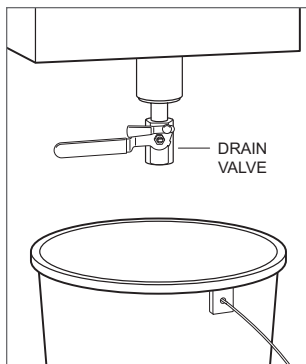
Drain Outlet

The fryer module requires access to the drain outlet at the bottom of the unit. Place a heat-resistant receptacle under the drain outlet to accept used oil.

To open the drain valve, push the safety latch in and turn the handle downward. Refer to the illustration below.

▲ CAUTION

Use caution when draining hot oil to avoid burns. Allow the oil to cool below 140°F (60°C) before draining.



Drain outlet

Care Recommendations

Care Recommendations

CLEANING

Stainless steel	Use a nonabrasive stainless steel cleaner and apply with a soft lint-free cloth. To bring out the natural luster, lightly wipe the surface with a water-dampened microfiber cloth followed by a dry polishing chamois. Always follow the grain of stainless steel.
Control panel	Use a spray degreaser to remove fingerprints and food soil. Spray on a cloth before wiping the control panel. IMPORTANT NOTE: Do not spray cleaners directly on the control panel.
Fryer baskets Basket hanger	Wash by hand with warm water and mild detergent.
Fryer basin	Drain oil from the fryer basin. Refer to page 12. Pour warm water with mild detergent into the empty basin. Scrub with a nylon brush. Rinse well, drain, and dry thoroughly. If it is not dried thoroughly, excess water may spatter hot oil, causing burns.

Troubleshooting

OPERATION

Fryer module does not operate.

- Verify power is on.
- Verify electrical power to the module and home circuit breaker is on.
- The module is in lock mode. Touch and hold Lock for three seconds to unlock the control panel.
- The module will automatically turn off after two hours of continuous use.

“Lo” appears on the control panel display.

- The oil level is too low or food particles have accumulated in the fryer basin. Power to the heating element is automatically turned off. Refer to oil level on page 10.

Module temperature issue.

- Contact Wolf Customer Care at 800-222-7820 for recommendations.

SERVICE

- Maintain the quality built into your product by contacting Wolf Factory Certified Service. For the name of the nearest Wolf Factory Certified Service, check the Product Support section of our website, wolfappliance.com, or call Wolf Customer Care at 800-222-7820.
- When contacting service, you will need the model and serial number of your product. Both numbers are listed on the product rating plate. Refer to page 5 for rating plate location.
- For warranty purposes, you will also need the date of installation and name of your authorized Wolf dealer. This information should be recorded on page 3 of this guide.

Wolf Appliance Residential Limited Warranty

FOR RESIDENTIAL USE

FULL TWO YEAR WARRANTY*

For two years from the date of original installation, this Wolf Appliance product warranty covers all parts and labor to repair or replace, under normal residential use, any part of the product that proves to be defective in materials or workmanship. All service provided by Wolf Appliance under the above warranty must be performed by Wolf Factory Certified Service, unless otherwise specified by Wolf Appliance, Inc. Service will be provided during normal business hours.

LIMITED FIVE YEAR WARRANTY

For five years from the date of original installation, Wolf Appliance will repair or replace the following parts that prove to be defective in materials or workmanship: gas burners (excludes appearance), electric heating elements, blower motors (ventilation hoods), electronic control boards, magnetron tubes and induction generators. If the owner uses Wolf Factory Certified Service, the service provider will repair or replace these parts with the owner paying for all other costs, including labor. If the owner uses non-certified service, the owner must contact Wolf Appliance, Inc. (using the information below) to receive repaired or replacement parts. Wolf Appliance will not reimburse the owner for parts purchased from non-certified service or other sources.

TERMS APPLICABLE TO EACH WARRANTY

The warranty applies only to products installed for normal residential use. The warranty applies only to products installed in any one of the fifty states of the United States, the District of Columbia or the ten provinces of Canada. This warranty does not cover any parts or labor to correct any defect caused by negligence, accident or improper use, maintenance, installation, service or repair.

THE REMEDIES DESCRIBED ABOVE FOR EACH WARRANTY ARE THE ONLY ONES THAT WOLF APPLIANCE, INC. WILL PROVIDE, EITHER UNDER THIS WARRANTY OR UNDER ANY WARRANTY ARISING BY OPERATION OF LAW. WOLF APPLIANCE, INC. WILL NOT BE RESPONSIBLE FOR ANY CONSEQUENTIAL OR INCIDENTAL DAMAGES ARISING FROM THE BREACH OF THIS WARRANTY OR ANY OTHER WARRANTY, WHETHER EXPRESS, IMPLIED OR STATUTORY.

Some states do not allow the exclusion or limitation of incidental or consequential damages, so the above limitation or exclusion may not apply to you. This warranty gives you specific legal rights and you may also have other legal rights that vary from state to state.

To receive parts and/or service and the name of Wolf Factory Certified Service nearest you, contact Wolf Appliance, Inc., P.O. Box 44848, Madison, WI 53744; check the Product Support section of our website, wolfappliance.com, email us at customerservice@subzero.com or call 800-222-7820.

*Stainless steel (doors, panels, handles, product frames and interior surfaces) are covered by a limited 60-day parts and labor warranty for cosmetic defects.

*Replacement filters for ventilation hood recirculating kits are not covered by the product warranty.



Contenido

- 3** Módulo de freidora
- 4** Precauciones de seguridad
- 5** Características del módulo de freidora
- 6** Funcionamiento del módulo de freidora
- 13** Recomendaciones sobre el cuidado
- 14** Resolución de problemas
- 15** Garantía de Wolf

Atención al cliente

El modelo y número de serie están impresos en la tarjeta de registro del producto adjunta. Ambos números también aparecen en la placa de datos del producto. Consulte en la página 5 la ubicación de la placa de datos. Para fines de la garantía, también necesitará la fecha de instalación y el nombre de su distribuidor autorizado de Wolf. Guarde la siguiente información para consultas posteriores.

INFORMACIÓN DE SERVICIO

Número de modelo

Número de serie

Fecha de la instalación

Nombre de servicio certificado

Número de servicio certificado

Distribuidor autorizado

Número de distribuidor

Si su producto alguna vez necesita servicio, asegúrese de acudir a un proveedor de servicio certificado de fábrica de Wolf recomendado por nuestro centro de atención al cliente o seleccione uno de nuestra lista de proveedores en wolfappliance.com/locator. Nosotros seleccionamos y capacitamos cuidadosamente a todos los proveedores de servicios certificados.

Aviso importante

Para garantizar que este producto se instale y opere de la forma más segura y eficiente posible, tome nota de los siguientes tipos de información resaltada en este manual:

AVISO IMPORTANTE señala la información que es especialmente importante.

PRECAUCIÓN

Indica una situación en la que se pueden sufrir heridas leves o provocar daños al producto si no se siguen las instrucciones.

ADVERTENCIA

Indica peligro de que se produzcan heridas graves o incluso la muerte si no se siguen las precauciones.

AVISO IMPORTANTE: En toda esta guía, las dimensiones entre paréntesis son milímetros, a menos que se especifique lo contrario.

INSTRUCCIONES IMPORTANTES

PRECAUCIONES GENERALES DE SEGURIDAD

AVISO IMPORTANTE: Lea las instrucciones en su totalidad antes de usar el electrodoméstico.

- Lea este manual con atención antes de usar este electrodoméstico para reducir el riesgo de incendio, descarga eléctrica o lesiones.
- Este electrodoméstico lo deben instalar, conectar a tierra y reparar un técnico calificado, una agencia de servicio o un proveedor de gas.
- No deje a los niños solos o sin supervisión en el área donde se usa este electrodoméstico. Nunca permita que los niños se sienten o paren sobre el electrodoméstico.
- Nunca deje de supervisar este electrodoméstico cuando se encuentre en uso. El rebosamiento por ebullición y los derrames de grasa pueden generar humo o incendiarse.
- No use agua en incendios causados por grasas. Sofoque el fuego o use un extinguidor químico seco o de espuma.
- No intente reparar ni cambiar parte alguna de este electrodoméstico a menos que esté específicamente recomendado en la documentación que acompaña a este electrodoméstico.
- No almacene ni use gasolina ni otros vapores o líquidos ignífugos en las proximidades de este o cualquier otro electrodoméstico.
- Use siempre guantes de cocina secos. Los guantes de cocina húmedos o mojados pueden provocar quemaduras por vapor. No use toallas ni paños gruesos en lugar de los guantes de cocina.
- No caliente recipientes de comida cerrados, como frascos de alimentos para bebés o enlatados. La acumulación de presión puede hacer que el recipiente explote y cause lesiones.
- Nunca use este aparato para calentar o calentar la habitación.
- Use ropa adecuada. Nunca se deben usar prendas holgadas o que cuelguen mientras se usa este electrodoméstico.
- No toque las superficies calientes. Utilice manijas o perillas.
- Para protegerse contra descargas eléctricas, no sumerja los elementos del calentador en agua u otro líquido.
- Deje que se enfríe antes de poner o quitar piezas y antes de limpiar.
- No opere ningún aparato con piezas dañadas o después de que el aparato funcione mal o se haya dañado de alguna manera. Devuelva el aparato al centro de servicio autorizado más cercano para su examen, reparación o ajuste.
- El uso de accesorios no recomendados por el fabricante del aparato puede causar lesiones.
- No lo use al aire libre.
- No utilice el aparato para otro uso que no sea el previsto.

⚠ ADVERTENCIA

PROPUESTA 65 PARA RESIDENTES DE CALIFORNIA

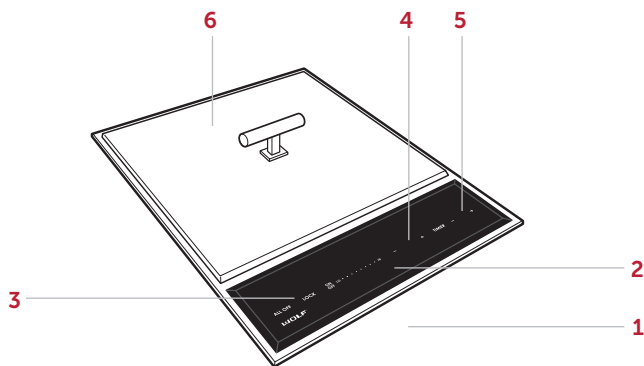
Cáncer y Daño Reproductivo—
www.P65Warnings.ca.gov

GUARDE ESTAS INSTRUCCIONES

Características del módulo de freidora

CARACTERÍSTICAS

- | | |
|----|---|
| 1 | Placa de datos del producto (parte inferior del módulo) |
| 2 | Panel de control |
| 3 | Bloqueo del panel de control |
| 4 | Pantalla de temperatura |
| 5 | Pantalla de temporizador |
| 6 | Tapa compacta |
| 7 | Cestas para freír |
| 8 | Portacestas invertible |
| 9 | Recipiente de la freidora |
| 10 | Líneas del nivel de aceite |

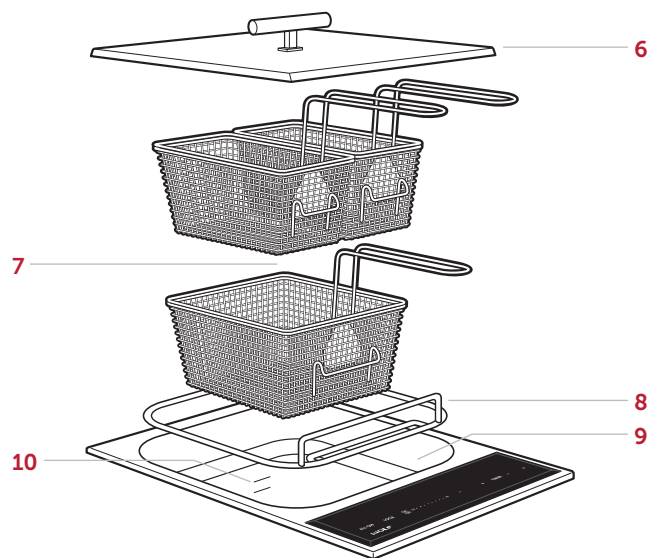


Módulo de freidora

INSTALACIÓN DEL MÓDULO DE FREIDORA

Para instalar, coloque el portacestas invertible en el recipiente de la freidora. Las cestas tienen manijas en cada lado. En el portacestas tiene capacidad para una cesta grande o dos pequeñas.

Para almacenamiento, la tapa se puede colocar sobre las cestas con las manijas dobladas. Para ello, separe la manija por encima de la cesta y gírela hacia dentro.



Instalación del módulo de freidora

Primeros pasos

Sabemos que está ansioso por empezar a cocinar, pero antes de hacerlo, dedique un poco de tiempo a leer este manual de uso y cuidado. Si usted es un cocinero ocasional o un chef experto, se beneficiará al conocer las prácticas de seguridad, características, funcionamiento y recomendaciones de cuidado del módulo de freidora de Wolf.

Para eliminar todo el aceite residual del proceso de fabricación, limpie a fondo el módulo de freidora con agua caliente y un detergente suave antes de usarlo. Enjuague y seque con un paño suave. Consulte las recomendaciones sobre el cuidado en la página 13.

AVISO IMPORTANTE: No opere el módulo de freidora con la tapa puesta.





Funcionamiento de la freidora

PANEL DE CONTROL


El panel de control presenta controles táctiles iluminados. Un indicador de nivel de potencia del elemento de calefacción muestra la temperatura, que va de Lo (bajo) a Hi (alto). Consulte la siguiente ilustración.

Los indicadores del panel de control se iluminarán para indicar el funcionamiento específico del módulo. Consulte la tabla siguiente.

INDICADOR DEL PANEL DE CONTROL

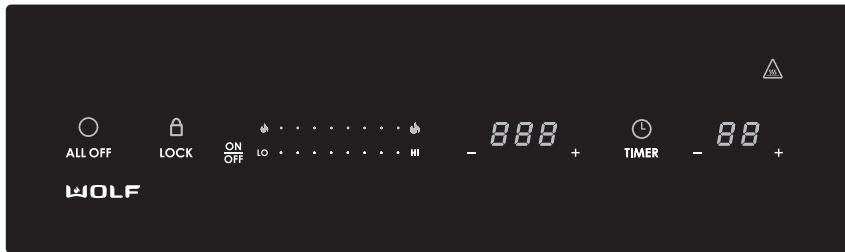
	Panel de control bloqueado
	Elemento encendido
	Aceite caliente
	Configuración de temporizador

BLOQUEO DEL PANEL DE CONTROL

La función de bloqueo del panel de control impide el funcionamiento no deseado del módulo. Presione y mantenga presionado Lock (bloqueo) durante tres segundos para bloquear y desbloquear el panel de control.  se iluminará cuando el panel de control está bloqueado.

El panel de control se bloqueará automáticamente después de 10 minutos de inactividad. Esta función de bloqueo automático puede deshabilitarse a través del menú de opciones extendidas. Consulte la página 11.

Cuando se enciende por primera vez, o después de un corte de luz, el módulo quedará de manera predeterminada en modo de bloqueo.



Panel de control

Funcionamiento de la freidora

NIVEL DE POTENCIA

Cuando se activa el elemento de calefacción, se iluminará un indicador de nivel de potencia para señalar el nivel de temperatura. El calor más bajo se representa con la llama pequeña, la variación en los niveles de calor por los indicadores adicionales (puntos), y el calor más alto por todos los indicadores, incluyendo la llama grande. Consulte la tabla siguiente.

TEMPERATURA	NIVEL DE POTENCIA	USOS
Derretir	Indicador 1 (llama pequeña)	Derretir manteca o margarina.
Baja	Indicadores 2 a 6	Calentar aceite.
Media	Indicadores 6 a 7	Freír alimentos congelados, rosquillas frescas y papas fritas.
Media alta	Indicadores 7 a 8	Freír pollo y mariscos empanizados.
Alta	Indicadores 8 a 10 (llama grande)	Freír verduras empanizadas, nachos y gallina.

INDICADOR DEL NIVEL DE POTENCIA

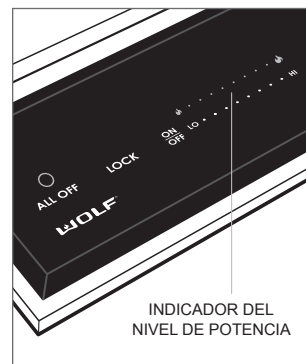
AVISO IMPORTANTE: Llene siempre el recipiente de aceite antes de activar el módulo de freidora.

Ajuste de los controles:

- 1 Para activar el módulo de freidora, pulse On/Off en el panel de control. Se iluminará el indicador del nivel de potencia, junto con todos los demás indicadores. Consulte la siguiente ilustración.
- 2 Para completar la activación, pulse Hi para la temperatura más alta, Lo para la más baja o el indicador de nivel de potencia predeterminado que desee.
- 3 Para cambiar la configuración de temperatura cuando la unidad está encendida, pulse o deslice el nivel de potencia predeterminado que desee o los símbolos + o - para ajustar la temperatura en intervalos de 1°.
- 4 Para apagar la unidad, pulse On/Off.

PRECALENTAMIENTO


Antes de colocar alimentos, precaliente el módulo de freidora hasta que el aceite alcance la temperatura fijada. Cocine siempre los alimentos en una cesta para freír y no los coloque por ningún motivo directamente en el recipiente de la freidora.



Indicador del nivel de potencia

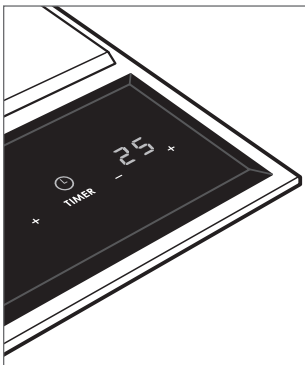
Funcionamiento de la freidora

TEMPORIZADOR

El temporizador puede fijarse hasta en 99 minutos, con incrementos de un minuto. Una vez que se fijó un tiempo,  se iluminará en el panel de control y la cuenta regresiva estará visible en la pantalla del temporizador. Consulte la siguiente ilustración. El temporizador funciona de manera independiente del módulo.


Para configurar el temporizador:

- 1 Pulse Timer (temporizador).
- 2 Pulse y mantenga + o – hasta que el tiempo deseado se muestre en la pantalla del temporizador. El temporizador comenzará la cuenta regresiva en minutos.
- 3 Cuando quede un minuto en el temporizador, sonará una campana y la cuenta regresiva se hará en segundos.
- 4 Al terminar, sonará una campana en el temporizador, y continuará sonando hasta que se pulse Timer.




Control del temporizador

INDICADOR DE ACEITE CALIENTE

El ícono  se iluminará en el panel de control y quedará iluminado hasta que la temperatura del aceite sea inferior a 140 °F (60 °C). Este indicador seguirá iluminado aún cuando se apague el módulo de freidora.

ALL OFF

Cuando el elemento de calefacción está activado, el ícono  se iluminará en el panel de control. Para apagar el elemento, pulse All Off (todo apagado).

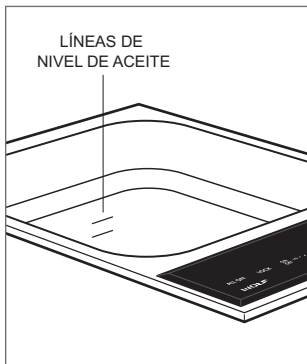
Funcionamiento de la freidora

NIVEL DE ACEITE

En el recipiente de la freidora, hay dos indicadores del nivel del aceite. La línea inferior representa el nivel mínimo de llenado de 10 tazas (2.4 l). La línea superior representa el nivel máximo de llenado de 5 cuartos de galón (4.7 l). Consulte la siguiente ilustración. No rebase la línea superior con aceite.

Si el nivel del aceite es demasiado bajo o el aceite contiene sedimentos en exceso, en la pantalla del panel de control aparecerá "Lo" (Bajo). La electricidad hacia elemento de calefacción se desactivará de forma automática y la unidad entrará en modo de bloqueo.

Agregue o filtre el aceite y luego pulse Timer para reanudar el funcionamiento.



Nivel de aceite

DERRETIR

Para iniciar la función de derretir, pulse Lo. De esta manera, la margarina o manteca se derretirá más despacio hasta quedar en estado líquido y luego aumente y mantenga la temperatura a 190 °F (90 °C).

⚠ ADVERTENCIA

Para evitar que se dañe la freidora, derrita todas las grasas sólidas antes de tratar de alcanzar la temperatura de fritura en aceite abundante.

Funcionamiento de la freidora

OPCIONES EXTENDIDAS

La función de opciones extendidas permite al usuario fijar las preferencias de volumen y bloqueo de panel de control.

Configurar las opciones extendidas:

- 1 Estando la unidad apagada y desbloqueada, pulse y mantenga All Off durante cinco segundos.
- 2 "Vo" aparecerá en la pantalla del temporizador. Pulse Lo o Hi para ajustar el volumen.
- 3 Pulse + en el control del temporizador para ajustar el tono. "Fr" aparecerá en la pantalla del temporizador. Pulse Lo o Hi para ajustar el tono.
- 4 Pulse + en el control del temporizador para ajustar el bloqueo automático del panel de control. "Lo" aparecerá en la pantalla del temporizador. Pulse Lo o Hi para activar o desactivar la función de bloqueo automático.
- 5 Pulse + en el control del temporizador para ajustar la variación de temperatura. "Of" aparecerá en la pantalla del temporizador. Los grados de variación aparecerán en la pantalla de temperatura. Pulse + o – para ajustar la variación.
- 6 Pulse + en el control del temporizador para ajustar las unidades de temperatura. "Un" aparecerá en la pantalla del temporizador. "F" o "C" aparecerán en la pantalla de temperatura. Pulse + o – para ajustar las unidades de temperatura.
- 7 Pulse All Off para confirmar la configuración.

FRITURA EN ACEITE ABUNDANTE

- 1 Llene de aceite el recipiente de la freidora hasta el nivel indicado.
- 2 Coloque el portacestas en el recipiente de la freidora.
- 3 Pulse On/Off en el panel de control para encender la unidad y seleccione el nivel de potencia que desee. Durante el precalentamiento, la pantalla cambiará entre la temperatura real y la temperatura establecida del aceite. Una señal sonora indica que se alcanzado la temperatura establecida.
- 4 Coloque alimentos en la cesta y luego coloque la cesta dentro del recipiente de la freidora.
- 5 Luego de que termine de freír, coloque la cesta en el portacestas y deje escurrir los alimentos.
- 6 Pulse On/Off para apagar la unidad.

Después de que el aceite se haya enfriado a una temperatura inferior a 140 °F (60 °C), retire las partículas de comida y cubra la tapa para evitar la contaminación.

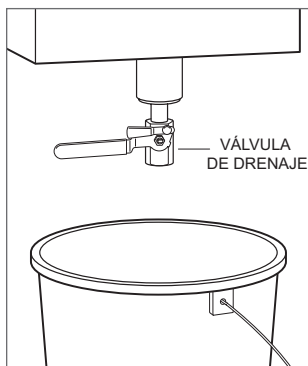
Salida de drenaje

El módulo de freidora necesita acceso al drenaje de la parte inferior de la unidad. Debajo del drenaje se debe colocar un recipiente resistente al calor para que caiga el aceite usado.

Para abrir la válvula de drenaje, empuje el pestillo de seguridad y gire la manija hacia abajo. Consulte la siguiente ilustración.

⚠ PRECAUCIÓN

Cuando drene aceite caliente, tenga precaución de evitar las quemaduras. Deje enfriar el aceite hasta que alcance una temperatura inferior a 140 °F (60 °C) antes de drenar.



Salida de drenaje

Recomendaciones sobre el cuidado

LIMPIEZA

Acero inoxidable	Use un limpiador no abrasivo para acero inoxidable y aplique con un paño suave sin pelusa. Para resaltar el lustre natural, limpie suavemente la superficie con una tela de microfibra humedecida con agua, seguida con una gamuza para pulir en seco. Siempre siga la dirección del acabado del acero inoxidable.
Panel de control	Use desengrasante en aerosol para retirar las marcas de los dedos y los residuos de alimentos. Rocíe el producto en un paño antes de limpiar el panel. AVISO IMPORTANTE: No aplique los limpiadores directamente sobre el panel de control.
Cestas de freír Portacestas	Lavar a mano con agua tibia y un detergente suave.
Recipiente de la freidora	Drene el aceite del recipiente de la freidora. Consulte la página 12. Vierta agua tibia con detergente suave en el recipiente vacío. Restriegue con un cepillo de nailon. Enjuague, drene y seque a fondo. Si no se seca por completo, el exceso de agua puede salpicar aceite caliente y provocar quemaduras.

Resolución de problemas

OPERACIÓN

El módulo de freidora no funciona.

- Compruebe que esté encendido.
- Compruebe que la corriente eléctrica al módulo y el interruptor de circuito de la casa estén encendidos.
- El módulo está en modo de bloqueo. Pulse y mantenga Lock (bloqueo) durante tres segundos para desbloquear el panel de control.
- El módulo se apagará automáticamente después de dos horas de uso continuo.

La palabra "Lo" aparece en la pantalla del panel de control.

- El nivel de aceite es muy bajo o se han acumulado partículas de comida en el recipiente de la freidora. La corriente eléctrica al elemento de calefacción se apaga automáticamente. Consulte el nivel de aceite en la página 10.

Problema con la temperatura del módulo.

- Póngase en contacto con la línea de atención al cliente de Wolf al 800-222-7820 para obtener recomendaciones.

SERVICIO

- Para mantener la calidad incorporada en su producto, póngase en contacto con el servicio certificado de fábrica de Wolf. Para conocer los datos del centro de servicio certificado de fábrica de Wolf más cercano, consulte la sección de Soporte de productos de nuestro sitio web, wolfappliance.com o bien, llame a la línea de atención al cliente de Wolf al 800-222-7820.
- Al comunicarse con el servicio, necesitará el modelo y el número de serie de su producto. Los dos números aparecen en la placa de datos del producto. Consulte la página 5 para encontrar la placa de datos.
- Para fines de la garantía, también necesitará la fecha de instalación y el nombre de su distribuidor autorizado de Wolf. Esta información debe estar registrada en la página 3 de este manual.

Garantía limitada residencial de Wolf Appliance

PARA USO RESIDENCIAL

GARANTÍA COMPLETA DE DOS AÑOS*

Durante dos años a partir de la fecha de la instalación original, la garantía de su producto Wolf Appliance cubre todas las partes y mano de obra para reparar o reemplazar, bajo el uso residencial normal, cualquier parte del producto que se compruebe estar defectuosa en material o mano de obra. Todos los servicios proporcionados por Wolf Appliance bajo la garantía anterior deben ser ejecutados por servicios certificados de fábrica de Wolf, a menos que Wolf Appliance, Inc. lo especifique de otra manera. El Servicio será proporcionado durante el horario comercial normal.

GARANTÍA LIMITADA DE CINCO AÑOS

Por cinco años a partir de la fecha de la instalación original, Wolf Appliance reparará o reemplazará los siguientes componentes que se comprueben estar defectuosos en material o mano de obra: quemadores de gas (excluyendo la apariencia), elementos eléctricos de calentamiento, motores de sopladores (campanas de ventilación), módulos de control eléctrico, tubos magnetrón y generadores de inducción. Si el propietario utiliza el servicio certificado de fábrica de Wolf, el prestador del servicio reparará o reemplazará estas partes mediante el pago de todos los otros costos, incluyendo mano de obra, a cargo del propietario. Si el propietario utiliza un servicio no certificado, debe ponerse en contacto con Wolf Appliance, Inc. (utilizando la información anotada más adelante) para recibir los componentes reparados o de reemplazo. Wolf Appliance no reembolsará al propietario los importes correspondientes a componentes comprados a un servicio no certificado o a otras fuentes.

TÉRMINOS APLICABLES A CADA GARANTÍA

La garantía se aplica solamente a los productos instalados para uso residencial normal. La garantía se aplica solamente a los productos instalados en cualquiera de los cincuenta estados de los Estados Unidos, el Distrito de Columbia o las diez provincias de Canadá. Esta garantía no cubre las partes o mano de obra para corregir cualquier defecto causado por negligencia, accidente o uso, mantenimiento, instalación, servicio o reparación inadecuados.

LOS RECURSOS DESCRITOS ANTERIORMENTE PARA CADA GARANTÍA SON LOS ÚNICOS QUE WOLF APPLIANCE, INC. PROPORCIONARÁ, YA SEA BAJO ESTA GARANTÍA O BAJO CUALQUIER GARANTÍA QUE RESULTE DE LA APLICACIÓN DE LA LEY. WOLF APPLIANCE, INC. NO SE HACE RESPONSABLE POR LOS DAÑOS INDIRECTOS O INCIDENTALES DERIVADOS DE LA VIOLACIÓN DE ESTA GARANTÍA O CUALQUIER OTRA GARANTÍA, YA SEA EXPRESA, IMPLÍCITA O LEGAL.

Algunos estados no permiten la exclusión o limitación de daños incidentales o consecuentes, por lo tanto la limitación o exclusión anterior podrían no aplicarse en su caso. Esta garantía le otorga derechos legales específicos, y usted también puede tener otros derechos legales que varían entre estados.

Para recibir las partes o el servicio y el nombre del servicio certificado de fábrica de Wolf más cercano a usted, póngase en contacto con Wolf Appliance, Inc., P.O. Box 44848, Madison, WI 53744; Verifique la sección de Soporte de productos de nuestro sitio web, wolfappliance.com, envíenos un correo electrónico a customerservice@subzero.com o llame al 800-222-7820.

*Las puertas, paneles, manijas, estructuras de acero inoxidable y superficies internas están cubiertas por una garantía limitada de 60 días sobre piezas y mano de obra, por defectos cosméticos.

*Los filtros de repuesto para los kits de circulación de la campana de ventilación no están cubiertos por la garantía del producto.



Table des matières

- 3** Module à friteuse
- 4** Précautions de sécurité
- 5** Caractéristiques du module à friteuse
- 6** Fonctionnement du module à friteuse
- 13** Recommandations d'entretien
- 14** Dépannage
- 15** Garantie de Wolf

Service à la clientèle

Le numéro de modèle et le numéro de série sont imprimés sur la fiche d'enregistrement du produit ci-jointe. Les deux numéros sont aussi indiqués sur la plaque signalétique du produit. Reportez-vous à la page 5 pour connaître l'emplacement de la plaque signalétique. Pour les besoins de la garantie, vous devrez aussi avoir la date d'installation et le nom de votre dépositaire Wolf autorisé. Inscrivez ces renseignements ci-dessous pour consultation ultérieure.

RENSEIGNEMENTS SUR LE SERVICE

Numéro de modèle

Numéro de série

Date de l'installation

Nom du service certifié

Numéro du service certifié

Dépositaire autorisé

Numéro du dépositaire

Si votre produit a besoin d'être réparé, assurez-vous d'utiliser un fournisseur de service certifié par l'usine Wolf recommandé par notre centre de service à la clientèle, ou sélectionnez-en un parmi la liste de fournisseurs disponibles à wolfappliance.com/locator. Tous les fournisseurs de service certifiés par l'usine sont soigneusement sélectionnés et rigoureusement formés par nous.

Remarque importante

Pour s'assurer que ce produit est installé et utilisé en toute sécurité et aussi efficacement que possible, prenez note des types de renseignement mis en évidence tout au long de ce guide :

REMARQUE IMPORTANTE met en évidence des renseignements qui sont particulièrement importants.

⚠ MISE EN GARDE

Indique une situation où une blessure mineure ou des dommages au produit peuvent se produire si les directives ne sont pas respectées.

⚠ AVERTISSEMENT

Décrit un danger qui peut causer une blessure grave ou la mort si les précautions ne sont pas respectées.

REMARQUE IMPORTANTE : Tout au long de ce guide, les dimensions entre parenthèses sont en millimètres à moins d'indication contraire.

DIRECTIVES IMPORTANTES

PRÉCAUTIONS DE SÉCURITÉ GÉNÉRALE

REMARQUE IMPORTANTE : lisez toutes les directives de sécurité avant d'utiliser cet appareil.

- Lisez ce guide attentivement avant d'utiliser cet appareil afin de réduire le risque d'incendie, de choc électrique ou de blessures.
- Cet appareil doit être correctement installé et réparé par un installateur qualifié, une agence de service ou un fournisseur de gaz et mis à la terre par un technicien qualifié.
- Ne laissez pas des enfants seuls ou sans surveillance dans la zone où cet appareil est utilisé. Ne laissez jamais des enfants s'asseoir ou se tenir debout sur l'appareil.
- Ne laissez jamais l'appareil sans surveillance lorsqu'il fonctionne. Les débordements par bouillonnement et les renversements de graisse peuvent créer de la fumée ou s'enflammer.
- N'utilisez pas de l'eau sur des incendies de graisse. Éteignez la flamme ou utilisez un extincteur à poudre chimique ou à mousse.
- Ne réparez pas et ne remplacez pas toute pièce de cet appareil à moins que cela ne soit spécifiquement recommandé dans la documentation accompagnant l'appareil.
- Ne rangez pas et n'utilisez pas de l'essence ou d'autres vapeurs ou liquides inflammables à proximité de cet appareil ou de tout autre appareil.
- Utilisez toujours des poignées sèches. Des poignées mouillées ou humides peuvent causer des brûlures de vapeur. N'utilisez pas une serviette ou un chiffon épais au lieu de poignées.
- Ne chauffez pas des contenants d'aliment non ouverts comme les pots et les boîtes de nourriture pour bébé. L'accumulation de pression peut faire éclater le contenant et causer des blessures.
- N'utilisez jamais cet appareil pour réchauffer ou chauffer la pièce.
- Portez des vêtements appropriés. Ne jamais porter de vêtements amples ou suspendus lors de l'utilisation de cet appareil.
- Ne touchez pas les surfaces chaudes. Utilisez des poignées ou des boutons.
- Pour vous protéger contre les chocs électriques, ne plongez pas les éléments chauffants dans l'eau ou tout autre liquide.
- Laisser refroidir avant de mettre ou de retirer des pièces et avant de nettoyer.
- Ne faites pas fonctionner un appareil dont les pièces sont endommagées ou après que l'appareil a mal fonctionné ou a été endommagé de quelque manière que ce soit. Retournez l'appareil au centre de service agréé le plus proche pour examen, réparation ou réglage.
- L'utilisation d'accessoires non recommandés par le fabricant de l'appareil peut entraîner des blessures.
- Ne pas utiliser à l'extérieur.
- N'utilisez pas l'appareil à d'autres fins que celles prévues.

⚠ AVERTISSEMENT

PROPOSITION 65 POUR RESIDENTS DE LA CALIFORNIE

Cancer et Troubles de l'appareil reproducteur—
www.P65Warnings.ca.gov

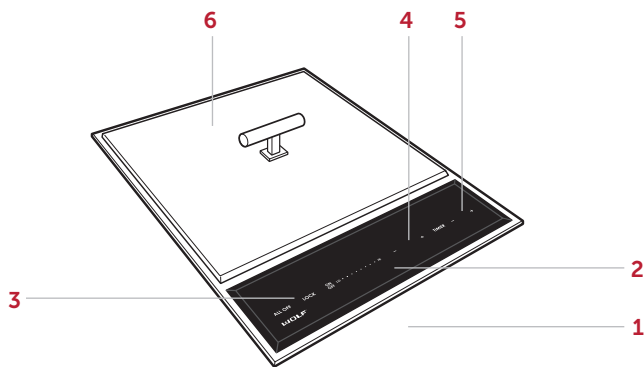
CONSERVEZ CES DIRECTIVES

Caractéristiques du module à friteuse

Caractéristiques du module à friteuse

CARACTÉRISTIQUES

- | | |
|----|---|
| 1 | Plaque signalétique du produit (fond du module) |
| 2 | Panneau de commande |
| 3 | Verrouillage du panneau de commande |
| 4 | Affichage de température |
| 5 | Affichage de la minuterie |
| 6 | Couvercle à profil bas |
| 7 | Paniers à friture |
| 8 | Support de panier réversible |
| 9 | Bassin de friture |
| 10 | Lignes de niveau d'huile |

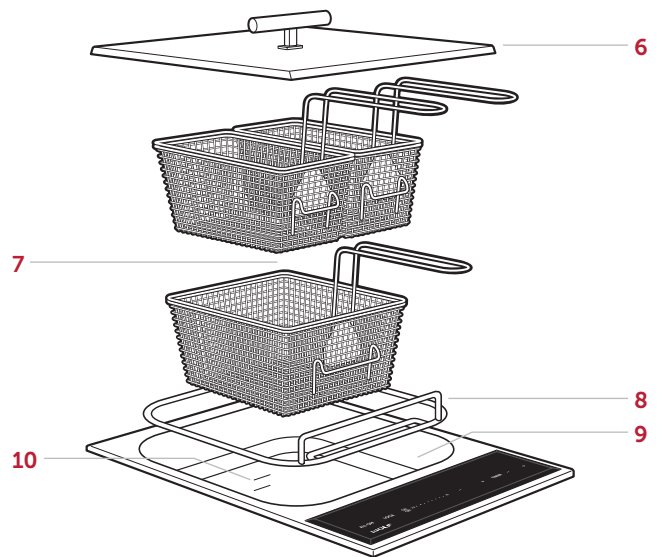


Module à friteuse

ASSEMBLAGE DU MODULE À FRITEUSE

Pour assembler, placez le support de panier réversible dans le bassin de friture. Les paniers à friture sont munis de supports à chaque extrémité. Deux petits ou un grand panier peuvent être placés sur le support de panier.

Pour le rangement, le couvercle peut être placé sur les paniers à friture en repliant les poignées. Pour replier les poignées, tirez sur ces dernières juste au-dessus du panier et pivotez-les vers l'intérieur.



Assemblage du module à friteuse

Comment commencer

Nous savons que vous êtes impatient de commencer à cuisiner, mais avant de le faire, veuillez prendre quelques instants pour lire ce guide d'utilisation et d'entretien. Que vous soyez un cuisinier occasionnel ou un chef expert, il vous sera bénéfique de vous familiariser avec les pratiques de sécurité, les caractéristiques, le fonctionnement et les recommandations d'entretien de votre module à friteuse de Wolf.

Pour s'assurer que toute l'huile résiduelle du processus de fabrication a été enlevée, nettoyez le module à friteuse à fond avec de l'eau chaude et un détergent doux avant de l'utiliser. Rincez et séchez avec un chiffon doux. Reportez-vous aux conseils d'entretien à la page 13.

REMARQUE IMPORTANTE : ne faites pas fonctionner le module à friteuse lorsque le couvercle est en place.





Fonctionnement de la friteuse

PANNEAU DE COMMANDE


Le panneau de commande comprend des commandes tactiles illuminées. Un indicateur de niveau de puissance pour l'élément de chauffage affiche le réglage de chaleur de Lo (faible) à Hi (élevé). Reportez-vous à l'illustration ci-dessous.

Les indicateurs sur le panneau de commande s'allument pour indiquer un fonctionnement précis du module. Reportez-vous au tableau ci-dessous.

INDICATEUR DU PANNEAU DE COMMANDE

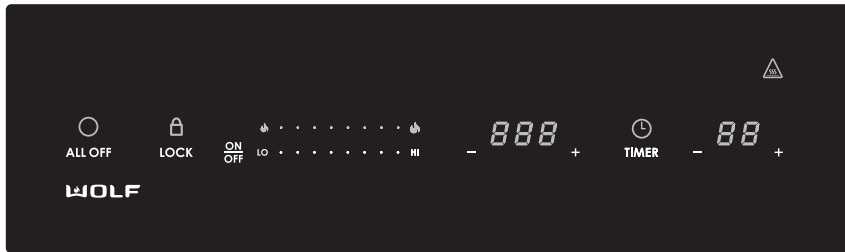
	Panneau de commande verrouillé
	Élément en marche
	Huile chaude
	Minuterie réglée

VERROUILLAGE DU PANNEAU DE COMMANDE

La fonction de verrouillage du panneau de commande empêche le fonctionnement non désiré du module. Enfoncez et tenez la touche Lock (verrouillage) pendant trois secondes pour verrouiller et déverrouiller le panneau de commande.  s'allume lorsque le panneau de commande est verrouillé.

Le panneau de commande se verrouille automatiquement après 10 minutes d'inactivité. Cette fonction de verrouillage automatique peut être désactivée par l'entremise du menu d'options supplémentaires. Reportez-vous à la page 11.

Lorsque le module est mis en marche pour la première fois ou après une panne d'électricité, il passe par défaut au mode verrouillage.



Panneau de commande

Fonctionnement de la friteuse

NIVEAU DE PUISSANCE

Lorsque l'élément de chauffage est activé, un indicateur de niveau de puissance s'allume pour indiquer le niveau de chaleur. Le niveau de chaleur le plus faible est représenté par la petite flamme, les divers niveaux de chaleur par d'autres indicateurs (points) et le niveau de chaleur le plus élevé par tous les indicateurs, y compris la grosse flamme. Reportez-vous au tableau ci-dessous.

RÉGLAGE	NIVEAU DE PUISSANCE	UTILISATIONS
Fondre	1 indicateur (petite flamme)	Faire fondre du saindoux ou du shortening.
Faible	2-6 indicateurs	Faire chauffer de l'huile.
Moyen	6-7 indicateurs	Faire frire des aliments surgelés, des beignes frais, des frites.
Moyen élevé	7-8 indicateurs	Faire frire des morceaux de poulet panés et des fruits de mer.
Élevé	8-10 indicateurs (grosse flamme)	Faire frire des légumes panés, des croustilles au maïs, des poules Cornish.

INDICATEUR DE NIVEAU DE PUISSANCE

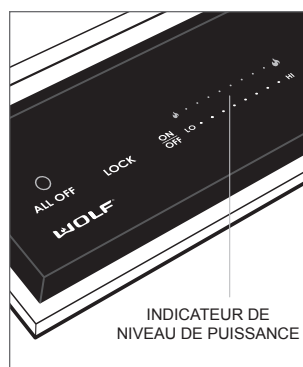
REMARQUE IMPORTANTE : remplissez toujours le bassin avec de l'huile avant d'activer le module à friteuse.

Réglage des commandes :

- 1 Pour activer le module à friteuse, touchez à On/Off (marche/arrêt) sur le panneau de commande. L'indicateur de niveau de puissance et tous les indicateurs clignoteront. Reportez-vous à l'illustration ci-dessous.
- 2 Pour compléter l'activation, touchez à Hi (élevé) pour obtenir la chaleur la plus élevée, Lo (faible) pour la chaleur la plus faible, ou touchez à l'indicateur de niveau de puissance pré-réglé souhaité.
- 3 Pour modifier le réglage de chaleur lorsque l'unité est en marche, touchez ou glissez jusqu'au niveau de puissance pré-réglé souhaité ou touchez à + ou - pour régler la température dans des incréments de 1°.
- 4 Pour éteindre l'unité, touchez à On/Off (marche/arrêt).

PRÉCHAUFFAGE


Préchauffez le module à friteuse jusqu'à ce que la température de l'huile atteigne la température réglée avant d'ajouter des aliments. Faites toujours cuire les aliments dans un panier à friture; ne placez jamais les aliments directement dans le bassin de friture.



Indicateur de niveau de puissance

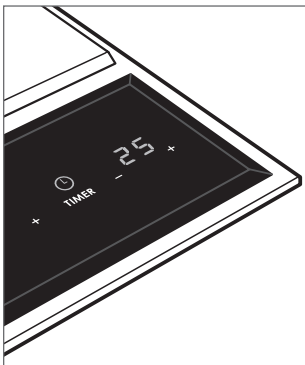
Fonctionnement de la friteuse

MINUTERIE

La minuterie peut être réglée dans des incréments d'une minute jusqu'à 99 minutes. Lorsqu'une durée est réglée,  s'allume sur le panneau de commande et le décompte est visible sur l'écran de la minuterie. Reportez-vous à l'illustration ci-dessous. La minuterie est indépendante du fonctionnement du module.


Réglage de la minuterie :

- 1 Touchez à Timer (minuterie).
- 2 Touchez et tenez les touches + ou – jusqu'à ce que la durée désirée apparaisse sur l'écran de la minuterie. La minuterie commencera le décompte en minutes.
- 3 La minuterie retentit lorsqu'il ne restera qu'une minute à la durée et termine le décompte en secondes.
- 4 Lorsque la durée est terminée, la minuterie retentit et continue à retentir jusqu'à ce que Timer (minuterie) soit touché.




Commande de la minuterie

INDICATEUR D'HUILE CHAUDE

 s'allume sur le panneau de commande et demeure illuminé jusqu'à ce que la température de l'huile soit inférieure à 140 °F (60 °C). Il peut rester illuminé même lorsque le module à friteuse est éteint.

TOUT ÉTEINT

Lorsque l'élément de chauffage est en marche,  s'allume sur le panneau de commande. Pour éteindre l'élément, touchez à On/Off (marche/arrêt).

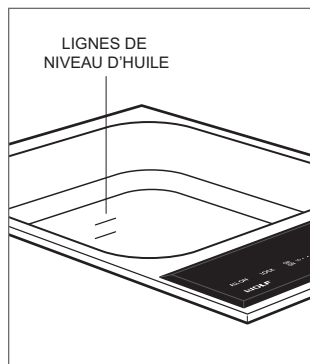
Fonctionnement de la friteuse

NIVEAU D'HUILE

Il y a deux indicateurs de niveau d'huile sur le bassin de friture. La ligne inférieure représente le niveau de remplissage minimum de 10 tasses (2,4 l). La ligne supérieure représente le niveau de remplissage maximum de 5 pintes (4,7 l). Reportez-vous à l'illustration ci-dessous. N'ajoutez pas de l'huile au-delà de la ligne supérieure.

Si le niveau d'huile est trop bas ou s'il y a trop de sédiments dans l'huile, le mot « Lo » apparaît sur l'écran du panneau de commande. L'alimentation de l'élément de chauffage est automatiquement désactivée et l'unité passe au mode de verrouillage.

Ajoutez de l'huile ou filtrez-la, puis touchez à Timer (minuterie) pour reprendre le fonctionnement.



Niveau d'huile

MELT (FONDRE)

Pour initier la fonction faire fondre, touchez à Lo. Cela fera lentement fondre le shortening ou le saindoux jusqu'à l'état liquide, puis chauffez et gardez le réglage de la température de l'huile à 190 °F (90 °C).

⚠ AVERTISSEMENT

Pour éviter tout dommage à la friteuse, faites fondre tous les gras solides avant de tenter de chauffer jusqu'à une température de grande friture.

Fonctionnement de la friteuse

OPTIONS SUPPLÉMENTAIRES

La fonction d'options supplémentaires permet à l'utilisateur de régler des préférences pour le volume, la tonalité et le verrouillage du panneau de commande.

Réglages des options supplémentaires :

- 1 Pendant que l'unité est éteinte et déverrouillée, touchez et tenez All Off (tout éteint) pendant cinq secondes.
- 2 « Vo » apparaîtra sur l'écran de la minuterie. Touchez à Lo (faible) ou Hi (élevé) pour régler le volume.
- 3 Touchez à + sur la commande de la minuterie pour régler la tonalité. « Fr » sera affiché sur l'écran de la minuterie. Touchez à Lo (faible) ou Hi (élevé) pour régler la tonalité.
- 4 Touchez à + sur la commande de la minuterie pour régler le verrouillage automatique du panneau de commande. « Lo » sera affiché sur l'écran de la minuterie. Touchez à Lo (faible) ou Hi (élevé) pour mettre en marche ou arrêter la fonction de verrouillage automatique.
- 5 Touchez à + sur la commande de la minuterie pour régler le décalage de la température. « OF » sera affiché sur l'écran de la minuterie. Les degrés de décalage seront affichés sur l'écran de température. Touchez à température + ou – pour régler le décalage.
- 6 Touchez à + sur la commande de la minuterie pour régler les unités de température. « Un » sera affiché sur l'écran de la minuterie. « F » ou « C » seront affichés sur l'écran de température. Touchez à température + ou – pour régler les unités.
- 7 Touchez à All Off (tout éteint) pour confirmer les réglages.

GRANDE FRITURE

- 1 Remplissez le bassin de friture d'huile jusqu'à la ligne de niveau d'huile.
- 2 Placez le support de panier dans le bassin de friture.
- 3 Touchez à On/Off (marche/arrêt) sur le panneau de commande pour mettre l'unité en marche, puis réglez le niveau de puissance désiré. Durant le préchauffage, l'écran alterne entre la température réelle de l'huile et la température réglée. Une sonnerie indique que la température réglée est atteinte.
- 4 Ajoutez les aliments au panier à friture, puis placez le panier dans le bassin de friture.
- 5 Une fois la friture terminée, placez le panier sur le support de panier et laissez les aliments s'égoutter.
- 6 Touchez à On/Off (marche/arrêt) pour éteindre l'unité.

Lorsque l'huile aura refroidi sous 140 °F (60 °C), retirez les particules d'aliment et couvrez avec le couvercle pour éviter toute contamination.

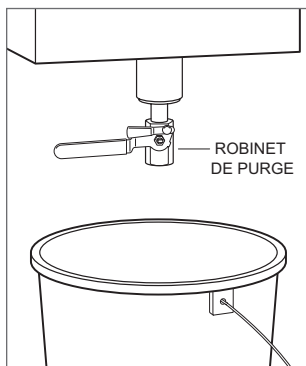
Sortie d'évacuation

Le module à friteuse nécessite l'accès à la sortie d'évacuation au fond de l'unité. Un récipient thermorésistant doit être installé sous la sortie d'évacuation pour recueillir l'huile usée.

Pour ouvrir le robinet de purge, poussez le loquet de sécurité vers l'intérieur et tournez la poignée vers le bas. Reportez-vous à l'illustration ci-dessous.

⚠ MISE EN GARDE

Faites attention lorsque vous évacuez de l'huile chaude pour éviter toute brûlure. Laissez l'huile se refroidir sous 140 °F (60 °C) avant de l'évacuer.



Sortie d'évacuation

Conseils d'entretien

NETTOYAGE

Acier inoxydable	Utilisez un nettoyant non abrasif pour l'acier inoxydable et appliquez-le avec un chiffon doux non pelucheux. Pour faire ressortir le lustre naturel, essuyez légèrement la surface avec un chiffon en microfibres humecté d'eau suivi d'un chamois à polir sec. Suivez toujours le grain de l'acier inoxydable.
Panneau de commande	Utilisez un dégraissant pulvérisé pour éliminer les empreintes de doigts et les taches de nourriture. Pulvérissez sur un chiffon avant d'essuyer le panneau. REMARQUE IMPORTANTE : Ne pulvérisez pas les produits à nettoyer directement sur le panneau de commande.
Paniers à friture Support de panier	Laver à la main avec de l'eau tiède et un détergent doux.
Bassin de friture	Videz l'huile du bassin de friture. Reportez-vous à la page 12. Versez de l'eau tiède avec un détergent doux dans le bassin vide. Frottez avec une brosse en nylon. Rincez à fond, videz et séchez complètement. Si le bassin n'est pas séché complètement, l'excès d'eau peut causer l'éclaboussement de l'huile chaude et causer des brûlures.

Dépannage

FONCTIONNEMENT

Le module à friteuse ne fonctionne pas.

- Assurez-vous qu'il y a du courant.
- Vérifiez l'alimentation électrique vers le module et assurez-vous que le disjoncteur est en marche.
- Le module est en mode verrouillage. Enfoncez et tenez la touche Lock (verrouillage) pendant trois secondes pour déverrouiller le panneau de commande.
- Le module s'éteindra automatiquement après deux heures d'utilisation continue.

« Lo » apparaît sur l'écran du panneau de commande.

- Le niveau d'huile est trop bas ou des particules d'aliment se sont accumulées dans le bassin de friture. L'alimentation vers l'élément de chauffage est automatiquement éteint. Reportez-vous au niveau d'huile à la page 10.

Problème de température du module.

- Communiquez avec le service à la clientèle de Wolf au 800-222-7820 pour obtenir des recommandations.

SERVICE

- Préservez la qualité intégrée dans votre produit en communiquant avec un service Wolf certifié par l'usine. Pour obtenir le nom du centre de service Wolf certifié par l'usine le plus près, consultez la section Support produit de notre site Web, wolfappliance.com ou appelez le service à la clientèle de Wolf au 800-222-7820.
- Avant d'appeler pour obtenir du service, ayez en main les numéros de modèle et de série de votre produit. Les deux numéros sont indiqués sur la plaque signalétique du produit. Reportez-vous à la page 5 pour connaître l'emplacement de la plaque signalétique.
- Pour les besoins de la garantie, vous devrez aussi avoir la date d'installation et le nom de votre dépositaire Wolf autorisé. Ces renseignements doivent être notés à la page 3 de ce guide.

Garantie limitée résidentielle Wolf Appliance

POUR UTILISATION RÉSIDENIELLE

GARANTIE COMPLÈTE DE DEUX ANS*

Pendant deux ans à compter de la date d'installation originale, cette garantie de produit Wolf Appliance couvre toutes les pièces et la main d'œuvre pour réparer ou remplacer, selon un usage résidentiel normal, toute partie du produit qui s'avérerait défectueuse en vertu des matériaux ou de la fabrication. Tout service fourni par Wolf Appliance en vertu de la garantie ci-dessus doit être effectué par un centre de service Wolf certifié par l'usine, à moins d'indication contraire de la part de Wolf Appliance, Inc. Le service sera fourni pendant les heures normales d'affaires.

GARANTIE LIMITÉE DE CINQ ANS

Pendant cinq ans à compter de la date originale d'installation, Wolf Appliance réparera ou remplacera les pièces suivantes qui s'avéreront défectueuses en vertu des matériaux ou de la fabrication : les brûleurs au gaz (sauf l'apparence), les éléments de chauffage électrique, les moteurs de soufflerie (hottes de ventilation), les circuits de contrôle électronique, les tubes magnétrons et les génératrices à induction. Si le propriétaire utilise le service Wolf certifié en usine, le fournisseur de service réparera ou remplacera ces pièces et le propriétaire paiera pour tous les autres frais, y compris la main d'œuvre. Si le propriétaire utilise un service non certifié, il doit communiquer avec Wolf Appliance, Inc. (avec les renseignements ci-dessous) pour obtenir des pièces réparées ou de rechange. Wolf Appliance ne remboursera pas le propriétaire pour les pièces achetées d'un service non certifié ou d'autres sources.

CONDITIONS S'APPLIQUANT À CHAQUE GARANTIE

La garantie s'applique uniquement aux produits installés pour un usage résidentiel normal. La garantie s'applique seulement aux produits installés dans l'un des cinquante états des États-Unis, dans le District of Columbia ou les dix provinces du Canada. Cette garantie ne couvre pas les pièces ou la main d'œuvre pour corriger tout défaut causé par de la négligence, un accident ou une utilisation, un entretien, une installation, un service ou une réparation inappropriés.

LES REMÈDES DÉCRITS CI-DESSUS POUR CHAQUE GARANTIE SONT LES SEULS QUI SONT OFFERTS PAR WOLF APPLIANCE, INC. EN VERTU DE CETTE GARANTIE OU EN VERTU DE TOUTE GARANTIE DÉCOULANT DE L'OPÉRATION DE LA LOI. WOLF APPLIANCE, INC. NE SERA PAS RESPONSABLE DES DOMMAGES INDIRECTS OU CONSÉCUTIFS DÉCOULANT DE LA VIOLATION DE CETTE GARANTIE OU DE TOUTE GARANTIE, EXPRESSE, IMPLICITE OU LÉGALE.

Certaines provinces ne permettent pas l'exclusion ou la restriction des dommages indirects ou consécutifs, par conséquent, la limite ou l'exclusion ci-dessus peut ne pas s'appliquer à votre cas. Cette garantie vous confère des droits légaux précis et vous pouvez aussi avoir d'autres droits légaux qui peuvent varier d'une province à l'autre.

Pour obtenir des pièces et/ou du service et le nom du centre de service Wolf certifié par l'usine le plus près de chez vous, communiquez avec Wolf Appliance, Inc., P.O. Box 44848, Madison, WI 53744 É.-U.; Consultez la section Support produit de notre site Web, wolfappliance.com, envoyez-nous un courriel à customerservice@subzero.com ou composez le 800-222-7820.

*L'acier inoxydable (les portes, les panneaux, les poignées, les cadres et les surfaces intérieures) est couvert par une garantie limitée de 60 jours sur les pièces et la main d'œuvre pour toute défectuosité cosmétique.

*Les filtres de rechange pour les trousse de recirculation de hotte ne sont pas couverts par la garantie du produit.





WOLF APPLIANCE, INC. P.O. BOX 44848 MADISON, WI 53744 WOLFAPPLIANCE.COM 800.222.7820

9010268 REV-D

5/2023

