

BI-30UG/O



FEATURES

- Rigorously tested to ensure decades of use
- Exceptional support from Madison, WI-based Customer Care team
- LED Lighting for brighter interior
- Dual refrigeration keeps food fresher longer
- Air purification system fights spoilage, odors
- Microprocessor control assures peak performance
- Crispers and deli drawers in low-temp, high-humidity zones for optimum freshness
- Over-and-under refrigerator/freezer storage
- Freshness cards for maximum food preservation
- Magnetic door seal system locks in cold air
- Water-filtration system for ice reduces contaminants, chlorine taste and odor
- Automatic ice maker with "max ice" feature
- Adjustable shelves for maximum convenience
- Clear-view, triple-pane and UV-resistant glass door
- Overlay design accepts cabinetry panels of all kinds

ACCESSORIES

- 30" Side Trim Kit with ¾" Black Tubular Handle
- 60" Dual Flush Inset Stainless Grille Panel
- 66" Dual Flush Inset Stainless Grille Panel
- 90° Door Stop
- Air Purification Cartridge
- Custom Side Panel Mounting Kit
- Dual Installation Kit
- Dual Installation Kit with 60" Grille Frame
- Dual Installation Kit with 60" Louvered Grille
- Dual Installation Kit with 66" Grille Frame
- Egg Container
- Extended Framed Handle Kit
- Framed Handle Kit
- Framed Louvered Grille Insert
- Grille Frame - 83"
- Grille Frame - 88"
- Louvered Grille - 83"
- Louvered Grille - 88"
- Pro Louvered Flush Inset Grille - 84"
- Stainless Steel Dual Flush Inset Door Panel with Pro Handle



HANDLE ACCESSORIES

PRO



TUBULAR



PRODUCT-DETAILS

REFRIGERATOR

- 3 Adjustable glass shelves
- 1 Stationary glass shelf
- 1 High-humidity drawer with dividers
- 1 Storage drawer with dividers

FREEZER

- Full-extension roll-out freezer drawer
- Two-tier wire storage baskets
- Automatic ice maker

Stainless Steel Dual Flush Inset Door Panel with Tubular Handle

Stainless Steel Dual Flush Inset Drawer Panel with Pro Handle - LH

Stainless Steel Dual Flush Inset Drawer Panel with Pro Handle - RH

Stainless Steel Dual Flush Inset Drawer Panel with Tubular Handle - LH

Stainless Steel Dual Flush Inset Drawer Panel with Tubular Handle - RH

Stainless Steel Flush Inset Door Panel with Pro Handle

Stainless Steel Flush Inset Door Panel with Tubular Handle

Stainless Steel Flush Inset Drawer Panel with Pro Handle

Stainless Steel Flush Inset Drawer Panel with Tubular Handle

Stainless Steel Flush Inset Grille Panel

Stainless Steel Kickplate

Stainless Steel Side Panel

Water Filter 4204490

White Side Panel

Grilles for 83" or 88" finished height (84" is standard)

Dual Installation Kit with Dual Wide Grille

Stainless Steel Pro Handles

Stainless Steel Tubular Handles

Built-In Louvered Grilles

Built-In Overlay or Flush Inset Grille Frames

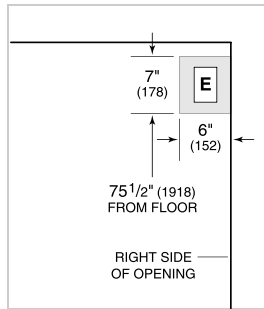
Accessories are available through an authorized dealer.
For local dealer information, visit subzero-wolf.com/locator.

Specifications are subject to change without notice. This information was generated on 26aAe-0or0aA-IonA.D.-0onA12. Verify specifications prior to finalizing your cabinetry/enclosures.

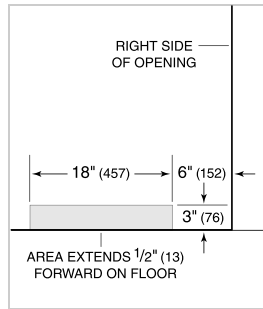
PRODUCT-SPECIFICATIONS

model	BI-30UG/O
dimensions	30"W x 84"H x 24"D
door-clearance	31 1/4"
drawer-clearance	23 5/8"
weight	476 lbs
refrigerator-capacity	13.1 cu. ft.
freezer-capacity	4.2 cu. ft.
electrical-supply	115 VAC, 60 Hz
electrical-service	15 amp dedicated circuit
receptacle	3-prong grounding-type

ELECTRICAL



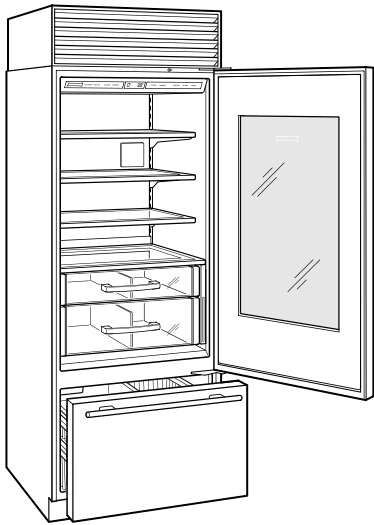
PLUMBING



PANEL SPECIFICATIONS For complete panels specifications including width/height, weight requirements, thickness requirements and offset details visit subzero-wolf.com/builtinconfigurator.

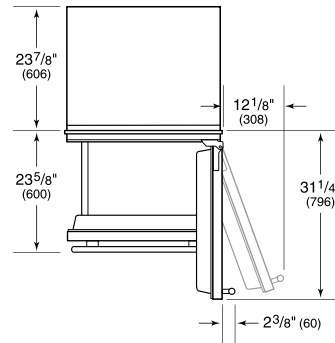
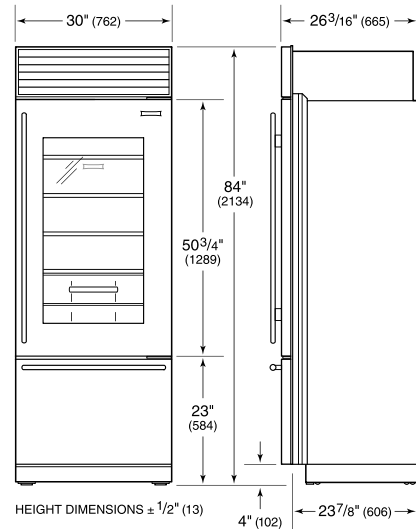
NOTE: Dimensions in parenthesis are in millimeters unless otherwise specified

INTERIOR-VIEW

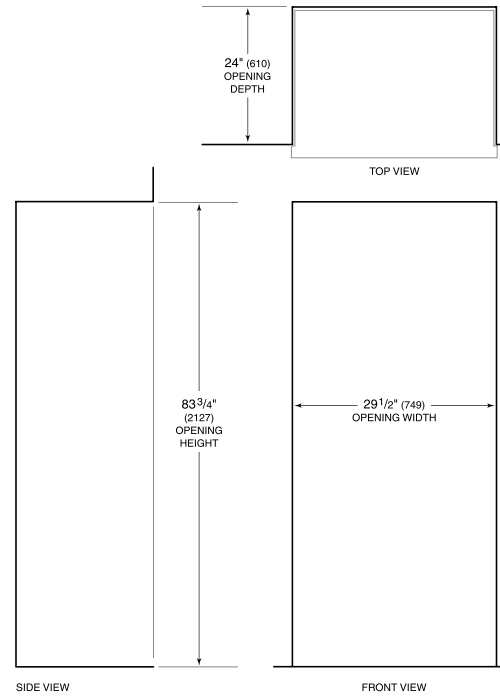


This illustration is intended for interior reference only and may not represent the exterior of the model being specified.

DIMENSIONS



STANDARD INSTALLATION



NOTE: Shaded line represents profile of unit.