

BI-30UG/S



FEATURES

- Rigorously tested to ensure decades of use
- Exceptional support from Madison, WI-based Customer Care team
- LED Lighting for brighter interior
- Dual refrigeration keeps food fresher longer
- Air purification system fights spoilage, odors
- Microprocessor control assures peak performance
- Crispers and deli drawers in low-temp, high-humidity zones for optimum freshness
- Over-and-under refrigerator/freezer storage
- Freshness cards for maximum food preservation
- Magnetic door seal system locks in cold air
- Water-filtration system for ice reduces contaminants, chlorine taste and odor
- Automatic ice maker with "max ice" feature
- Adjustable shelves for maximum convenience
- Clear-view, triple-pane and UV-resistant glass door

ACCESSORIES

- 90° Door Stop
- Air Purification Cartridge
- Dual Installation Kit
- Dual Installation Kit with 60" Pro Louvered Grille
- Dual Installation Kit with 66" Pro Louvered Grille
- Egg Container
- Stainless Steel Kickplate
- Stainless Steel Pro Louvered Grille - 83"
- Stainless Steel Pro Louvered Grille - 88"
- Stainless Steel Side Panel
- Water Filter 4204490
- Water Filter By-Pass Plug
- White Side Panel
- Grilles for 83" or 88" finished height (84" is standard)
- Dual Installation Kit with Dual Wide Grille
- Built-In Stainless Steel Pro Louvered Grilles

Accessories are available through an authorized dealer.
For local dealer information, visit subzero-wolf.com/locator.



HANDLE OPTIONS

PRO



TUBULAR



PRODUCT DETAILS

REFRIGERATOR

- 3 Adjustable glass shelves
- 1 Stationary glass shelf
- 1 High-humidity drawer with dividers
- 1 Storage drawer with dividers

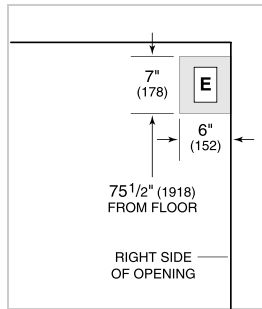
FREEZER

- Full-extension roll-out freezer drawer
- Two-tier wire storage baskets
- Automatic ice maker

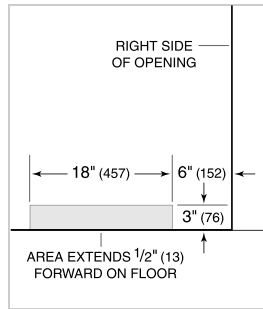
PRODUCT SPECIFICATIONS

Model	BI-30UG/S
Dimensions	30"W x 84"H x 24"D
Door Clearance	31 1/4"
Drawer Clearance	23 5/8"
Weight	476 lbs
Refrigerator Capacity	13.1 cu. ft.
Freezer Capacity	4.2 cu. ft.
Electrical Supply	115 VAC, 60 Hz
Electrical Service	15 amp dedicated circuit
Receptacle	3-prong grounding-type

ELECTRICAL

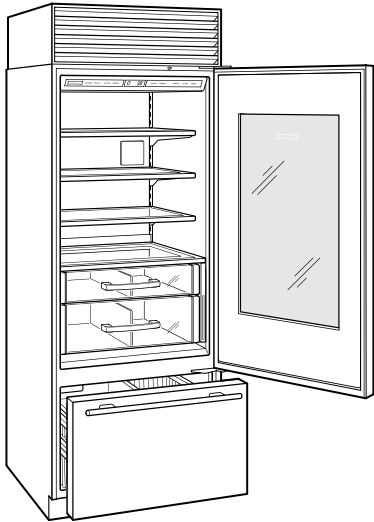


PLUMBING



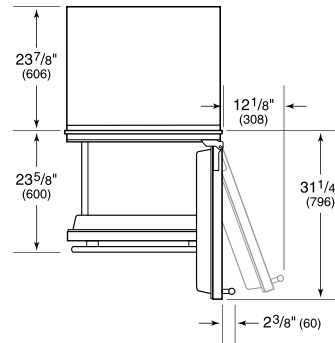
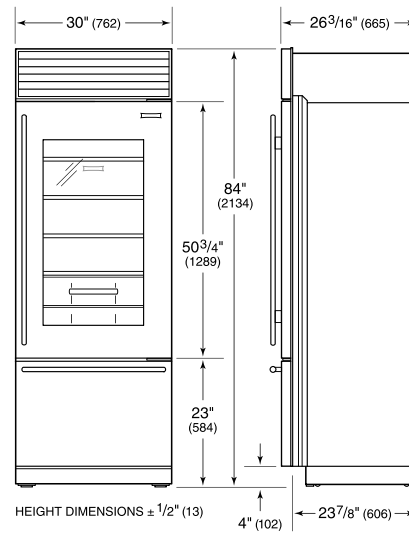
NOTE: Dimensions in parenthesis are in millimeters unless otherwise specified

INTERIOR VIEW

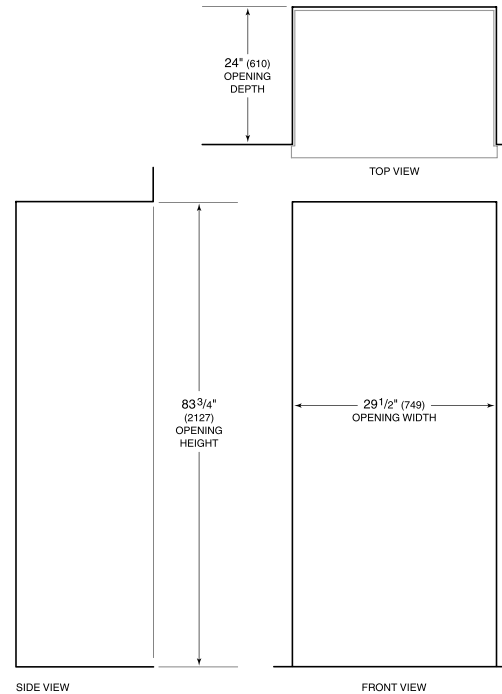


This illustration is intended for interior reference only and may not represent the exterior of the model being specified.

DIMENSIONS



STANDARD INSTALLATION



NOTE: Shaded line represents profile of unit.