

BI-36F/O



FEATURES

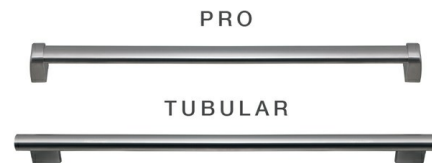
- Rigorously tested to ensure decades of use
- Exceptional support from Madison, WI-based Customer Care team
- LED Lighting for brighter interior
- Microprocessor control assures peak performance
- Magnetic door seal system locks in cold air
- Water-filtration system for ice reduces contaminants, chlorine taste and odor
- Automatic ice maker with "max ice" feature
- Adjustable shelves for maximum convenience
- Overlay design accepts cabinetry panels of all kinds

ACCESSORIES

- 66" Dual Flush Inset Stainless Grille Panel
- 90° Door Stop
- Custom Side Panel Mounting Kit
- Dual Installation Kit
- Dual Installation Kit with 66" Grille Frame
- Dual Installation Kit with 66" Pro Louvered Grille - Flush Inset
- Dual Installation Kit with 72" Grille Frame
- Dual Installation Kit with 72" Louvered Grille
- Dual Installation Kit with 72" Pro Louvered Grille-Flush Inset
- Extended Framed Handle Kit
- Framed Handle
- Framed Louvered Grille Insert
- Framed Stainless Steel Front Panels
- Framed White Front Panels
- Grille Frame - 83"
- Grille Frame - 88"
- Louvered Grille - 83"
- Louvered Grille - 88"
- Pro Louvered Flush Inset Grille - 84"
- Stainless Steel Dual Flush Inset Door Panel with Pro Handle
- Stainless Steel Dual Flush Inset Door Panel with Tubular Handle
- Stainless Steel Dual Flush Inset Grille Panel
- Stainless Steel Flush Inset Door Panel with Pro Handle
- Stainless Steel Flush Inset Door Panel with Tubular Handle
- Stainless Steel Flush Inset Grille Panel
- Stainless Steel Kickplate - Left Hinge



HANDLE ACCESSORIES



PRODUCT DETAILS

FREEZER

- 3 Adjustable wire shelves
- 1 Stationary glass shelf
- 3 Storage drawers with dividers
- 5 Adjustable door shelves

Stainless Steel Kickplate - Right Hinge

Stainless Steel Side Panel

Water Filter 4204490

White Side Panel

Grilles for 83" or 88" finished height (84" is standard)

Dual Installation Kit with Dual Wide Grille

Stainless Steel Pro Handles

Stainless Steel Tubular Handles

Built-In Louvered Grilles

Built-In Overlay or Flush Inset Grille Frames

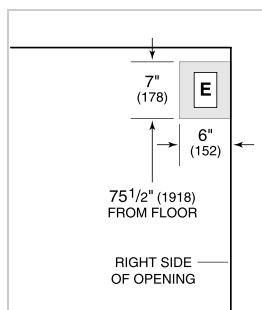
Accessories are available through an authorized dealer.
For local dealer information, visit subzero-wolf.com/locator.

Specifications are subject to change without notice. This information was generated on November 28, 2021. Verify specifications prior to finalizing your cabinetry/enclosures.

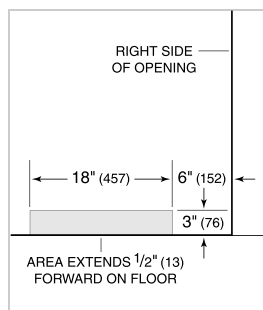
PRODUCT SPECIFICATIONS

Model	BI-36F/O
Dimensions	36"W x 84"H x 24"D
Door Clearance	37 1/4"
Weight	406 lbs
Freezer Capacity	22.6 cu. ft.
Electrical Supply	115 VAC, 60 Hz
Electrical Service	15 amp dedicated circuit
Receptacle	3-prong grounding-type

ELECTRICAL



PLUMBING



PANEL SPECIFICATIONS For complete panels specifications including width/height, weight requirements, thickness requirements and offset details visit subzero-wolf.com/builtinconfigurator.

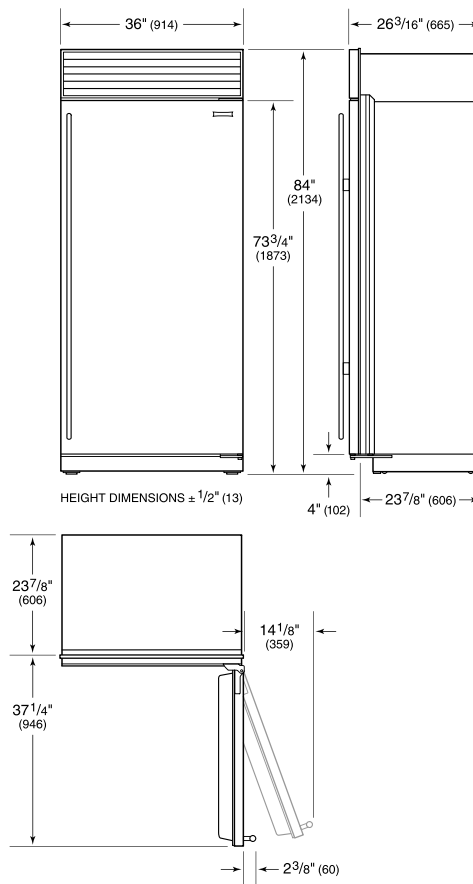
NOTE: Dimensions in parenthesis are in millimeters unless otherwise specified

INTERIOR VIEW

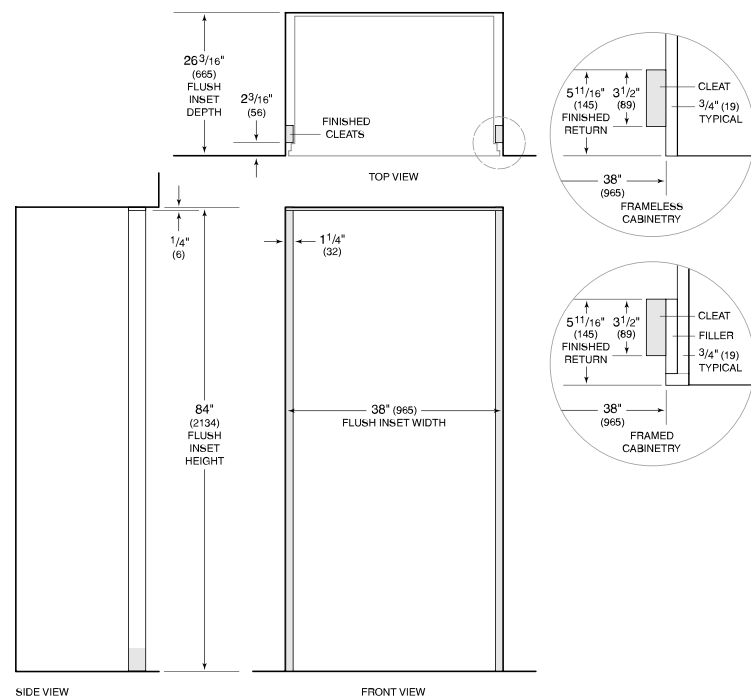


This illustration is intended for interior reference only and may not represent the exterior of the model being specified.

DIMENSIONS



FLUSH INSET INSTALLATION



NOTE: 3/16" (89) finished returns and shaded areas will be visible and should be finished to match cabinetry. Shaded line represents profile of unit with 3/4" (19) panel.