

BI-36R/O



## FEATURES

- \_\_\_\_\_ Rigorously tested to ensure decades of use
- \_\_\_\_\_ Exceptional support from Madison, WI-based Customer Care team
- \_\_\_\_\_ LED Lighting for brighter interior
- \_\_\_\_\_ Air purification system fights spoilage, odors
- \_\_\_\_\_ Microprocessor control assures peak performance
- \_\_\_\_\_ Crispers and deli drawers in low-temp, high-humidity zones for optimum freshness
- \_\_\_\_\_ Freshness cards for maximum food preservation
- \_\_\_\_\_ Magnetic door seal system locks in cold air
- \_\_\_\_\_ Adjustable shelves for maximum convenience
- \_\_\_\_\_ Overlay design accepts cabinetry panels of all kinds

## ACCESSORIES

- \_\_\_\_\_ 66" Dual Flush Inset Stainless Grille Panel
- \_\_\_\_\_ 90° Door Stop
- \_\_\_\_\_ Air Purification Cartridge
- \_\_\_\_\_ Custom Side Panel Mounting Kit
- \_\_\_\_\_ Dual Installation Kit
- \_\_\_\_\_ Dual Installation Kit with 66" Grille Frame
- \_\_\_\_\_ Dual Installation Kit with 72" Louvered Grille
- \_\_\_\_\_ Egg Container
- \_\_\_\_\_ Extended Framed Handle Kit
- \_\_\_\_\_ Framed Handle
- \_\_\_\_\_ Framed Louvered Grille Insert
- \_\_\_\_\_ Framed Stainless Steel Front Panels
- \_\_\_\_\_ Framed White Front Panels
- \_\_\_\_\_ Grille Frame - 83"
- \_\_\_\_\_ Grille Frame - 88"
- \_\_\_\_\_ Louvered Grille - 83"
- \_\_\_\_\_ Louvered Grille - 88"
- \_\_\_\_\_ Pro Louvered Flush Inset Grille - 84"
- \_\_\_\_\_ Stainless Steel Dual Flush Inset Door Panel with Pro Handle
- \_\_\_\_\_ Stainless Steel Dual Flush Inset Door Panel with Tubular Handle
- \_\_\_\_\_ Stainless Steel Dual Flush Inset Grille Panel
- \_\_\_\_\_ Stainless Steel Flush Inset Door Panel with Pro Handle
- \_\_\_\_\_ Stainless Steel Flush Inset Door Panel with Tubular Handle
- \_\_\_\_\_ Stainless Steel Flush Inset Grille Panel
- \_\_\_\_\_ Stainless Steel Kickplate - Left Hinge



## HANDLE ACCESSORIES

PRO



TUBULAR



## PRODUCT DETAILS

### REFRIGERATOR

- 4 Adjustable glass shelves
- 1 Stationary glass shelf
- 1 High-humidity drawer with dividers
- 2 Storage drawers with dividers
- 3 Adjustable door shelves
- 2 Stationary door shelves
- Adjustable dairy compartment

Stainless Steel Kickplate - Right Hinge

---

Stainless Steel Side Panel

---

White Side Panel

---

Grilles for 83" or 88" finished height (84" is standard)

---

Dual Installation Kit with Dual Wide Grille

---

Stainless Steel Pro Handles

---

Stainless Steel Tubular Handles

---

Built-In Louvered Grilles

---

Built-In Overlay or Flush Inset Grille Frames

---

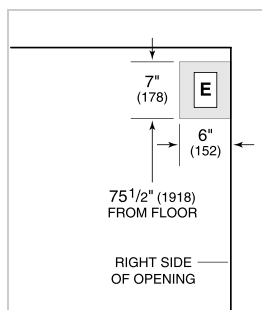
Accessories are available through an authorized dealer.  
For local dealer information, visit [subzero-wolf.com/locator](https://subzero-wolf.com/locator).

Specifications are subject to change without notice. This information was generated on October 22, 2020. Verify specifications prior to finalizing your cabinetry/enclosures.

**PRODUCT SPECIFICATIONS**

Model	BI-36R/O
Dimensions	36"W x 84"H x 24"D
Door Clearance	37 1/4"
Weight	420 lbs
Refrigerator Capacity	23.5 cu. ft.
Electrical Supply	115 VAC, 60 Hz
Electrical Service	15 amp dedicated circuit
Receptacle	3-prong grounding-type

**ELECTRICAL**



**PANEL SPECIFICATIONS** For complete panels specifications including width/height, weight requirements, thickness requirements and offset details visit [subzero-wolf.com/builtinconfigurator](http://subzero-wolf.com/builtinconfigurator).

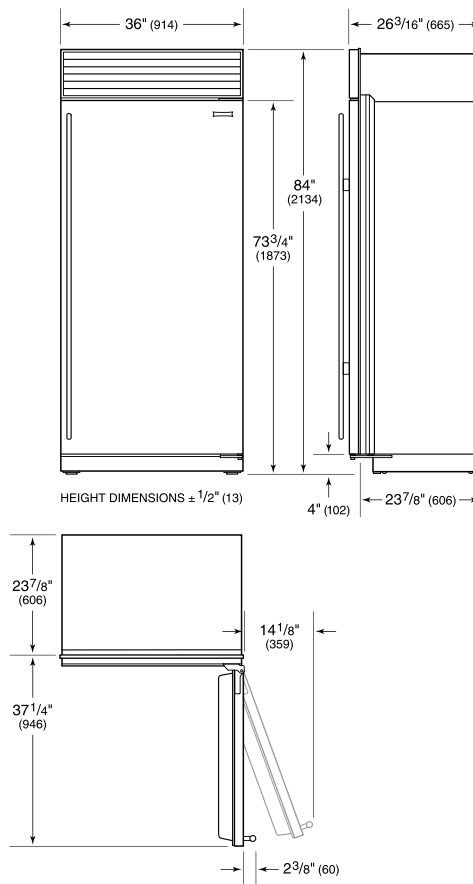
**NOTE:** Dimensions in parenthesis are in millimeters unless otherwise specified

**INTERIOR VIEW**

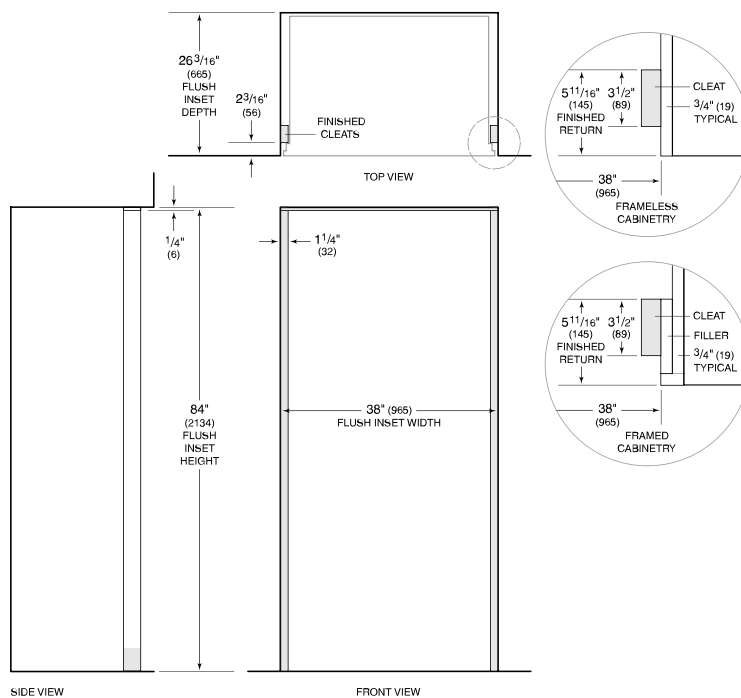


This illustration is intended for interior reference only and may not represent the exterior of the model being specified.

**DIMENSIONS**



**FLUSH INSET INSTALLATION**



**NOTE:** 3/2" (89) finished returns and shaded areas will be visible and should be finished to match cabinetry. Shaded line represents profile of unit with 3/4" (19) panel.