

BI-36UFDID/O

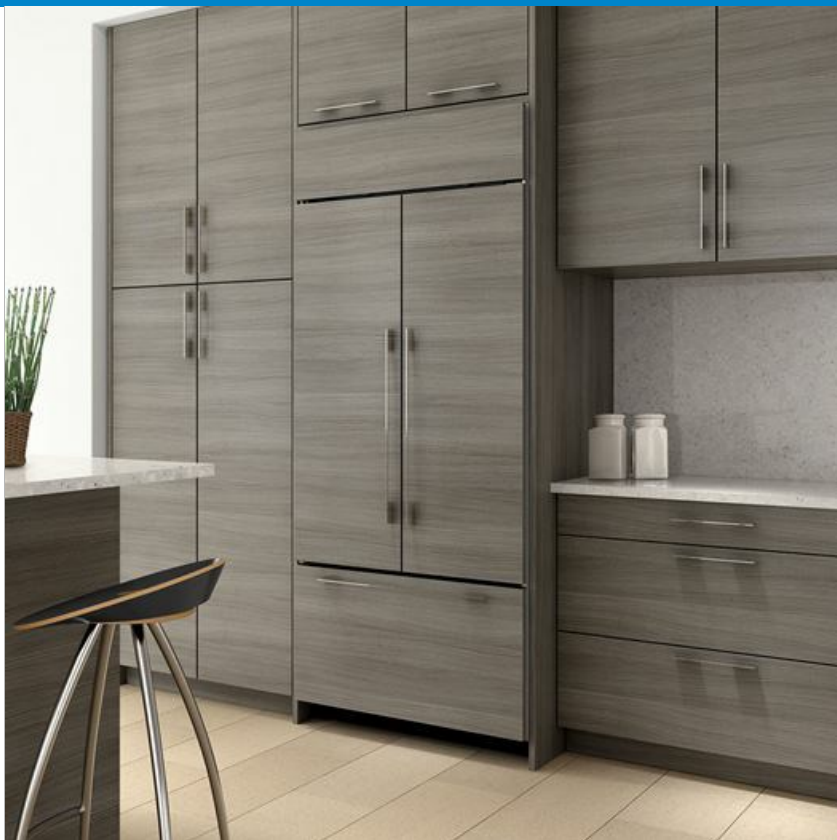


**FEATURES**

- \_\_\_\_\_ Rigorously tested to ensure decades of use
- \_\_\_\_\_ Exceptional support from Madison, WI-based Customer Care team
- \_\_\_\_\_ LED Lighting for brighter interior
- \_\_\_\_\_ Dual refrigeration keeps food fresher longer
- \_\_\_\_\_ Air purification system fights spoilage, odors
- \_\_\_\_\_ Microprocessor control assures peak performance
- \_\_\_\_\_ Crispers and deli drawers in low-temp, high-humidity zones for optimum freshness
- \_\_\_\_\_ Over-and-under refrigerator/freezer storage
- \_\_\_\_\_ Freshness cards for maximum food preservation
- \_\_\_\_\_ Magnetic door seal system locks in cold air
- \_\_\_\_\_ Discreet interior water dispense with advanced filtration
- \_\_\_\_\_ Automatic ice maker with "max ice" feature
- \_\_\_\_\_ Adjustable shelves for maximum convenience
- \_\_\_\_\_ Overlay design accepts cabinetry panels of all kinds

**ACCESSORIES**

- \_\_\_\_\_ 36" Stainless Steel Kickplate
- \_\_\_\_\_ 90° Door Stop
- \_\_\_\_\_ Air Purification Cartridge
- \_\_\_\_\_ Custom Front Panel Mounting Kit
- \_\_\_\_\_ Custom Side Panel Mounting Kit
- \_\_\_\_\_ Egg Container
- \_\_\_\_\_ Extended Framed Handle Kit
- \_\_\_\_\_ Framed Handle Kit
- \_\_\_\_\_ Framed Louvered Grille Insert
- \_\_\_\_\_ Framed Stainless Steel Front Panels
- \_\_\_\_\_ Framed White Front Panels
- \_\_\_\_\_ Grille Frame - 83"
- \_\_\_\_\_ Grille Frame - 88"
- \_\_\_\_\_ Louvered Grille - 83"
- \_\_\_\_\_ Louvered Grille - 88"
- \_\_\_\_\_ Pro Louvered Flush Inset Grille - 84"
- \_\_\_\_\_ Stainless Steel Flush Inset Door Panel with Pro Handle
- \_\_\_\_\_ Stainless Steel Flush Inset Door Panel with Tubular Handle
- \_\_\_\_\_ Stainless Steel Flush Inset Drawer Panel with Pro Handle
- \_\_\_\_\_ Stainless Steel Flush Inset Drawer Panel with Tubular Handle
- \_\_\_\_\_ Stainless Steel Flush Inset Grille Panel



**HANDLE ACCESSORIES**



**PRODUCT DETAILS**

**REFRIGERATOR**

- 3 Adjustable glass shelves
- 1 Stationary glass shelf
- 1 High-humidity drawer with dividers
- 1 Storage drawer with dividers
- 4 Adjustable door shelves
- 2 Stationary door shelves
- 2 Adjustable dairy compartments

**FREEZER**

- Full-extension roll-out freezer drawer
- Two-tier wire storage baskets
- Automatic ice maker

---

Stainless Steel Side Panel

---

Water Filter 4204490

---

White Side Panel

---

Grilles for 83" or 88" finished height (84" is standard)

---

Stainless Steel Pro Handles

---

Stainless Steel Tubular Handles

---

Built-In Louvered Grilles

---

Built-In Overlay or Flush Inset Grille Frames

---

Accessories are available through an authorized dealer.  
For local dealer information, visit [subzero-wolf.com/locator](https://subzero-wolf.com/locator).

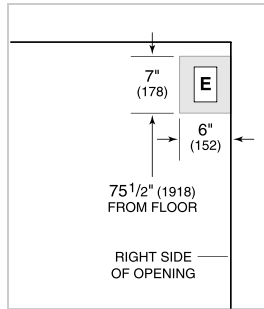
---

Specifications are subject to change without notice. This information was generated on November 29, 2020. Verify specifications prior to finalizing your cabinetry/enclosures.

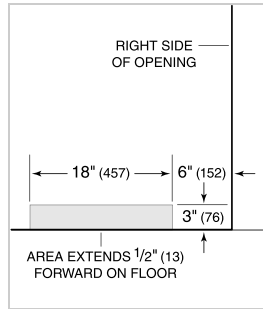
**PRODUCT SPECIFICATIONS**

Model	BI-36UFDID/O
Dimensions	36"W x 84"H x 24"D
Door Clearance	19 1/2"
Drawer Clearance	23 5/8"
Weight	529 lbs
Refrigerator Capacity	15.7 cu. ft.
Freezer Capacity	5.3 cu. ft.
Electrical Supply	115 VAC, 60 Hz
Electrical Service	15 amp dedicated circuit
Receptacle	3-prong grounding-type

**ELECTRICAL**



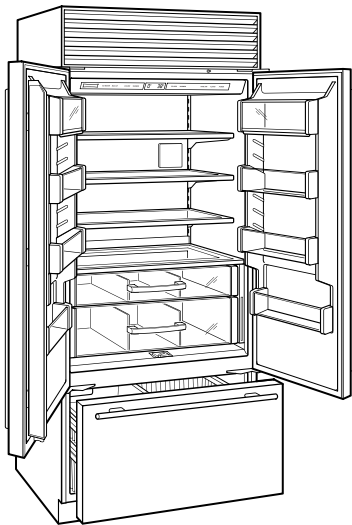
**PLUMBING**



**PANEL SPECIFICATIONS** For complete panels specifications including width/height, weight requirements, thickness requirements and offset details visit [subzero-wolf.com/builtinconfigurator](http://subzero-wolf.com/builtinconfigurator).

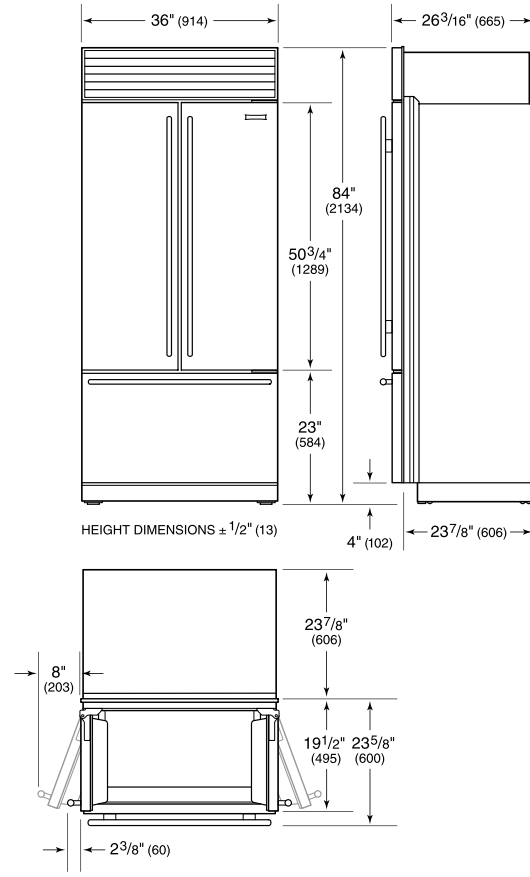
**NOTE:** Dimensions in parenthesis are in millimeters unless otherwise specified

**INTERIOR VIEW**

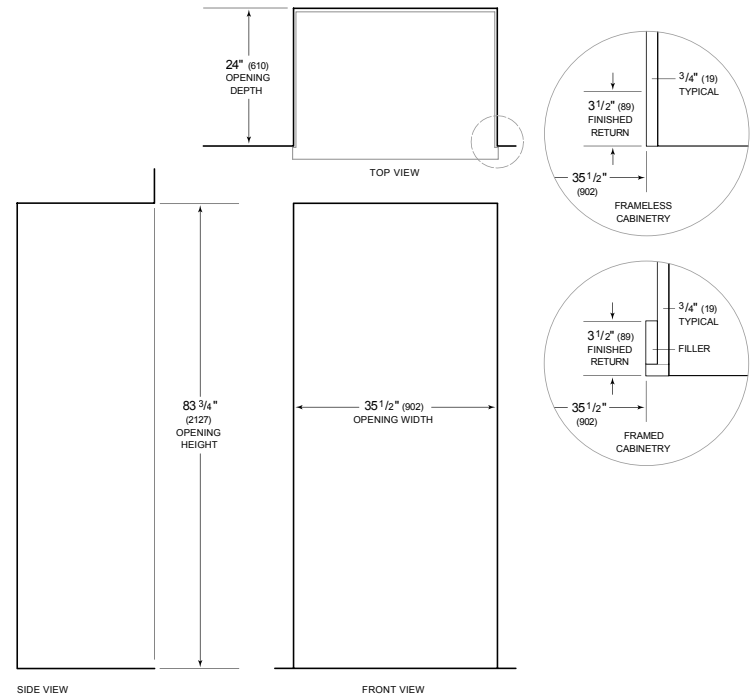


This illustration is intended for interior reference only and may not represent the exterior of the model being specified.

**DIMENSIONS**



**STANDARD INSTALLATION**



**NOTE:** 3 1/2" (89) finished returns will be visible and should be finished to match cabinetry. Shaded line represents profile of unit.