

BI-42S/O



## FEATURES

Monitor and control remotely with Wi-Fi connectivity

Accepts custom panels for an integrated look within cabinetry or stainless-steel accessory panels and handles to match other Sub-Zero, Wolf, and Cove products\*

Preserves refrigerated foods with cool, moist air and frozen foods with frigid, dry air

Fight spoilage and odours with a NASA-inspired air purification system

Locks in cold air to ensure freshness with magnetic door seals

Keeps produce fresher with high-humidity, sealed crisper and deli drawers

Controls temperature within one degree of setpoint

Filters ice, removing contaminants, chlorine taste, and odour

Yields ice automatically and "max ice" for additional production

Ensures excellent visibility with bright lights

Refer to freshness cards for tips on food preservation, use, and care

## ACCESSORIES

90° Door Stop

Air Purification Cartridge

Custom Side Panel Mounting Kit

Egg Container

Extended Framed Handle Kit

Framed Handle Kit

Framed Louvered Grille Insert

Framed Stainless Steel Front Panels

Framed White Front Panels

Grille Frame - 83"

Grille Frame - 88"

Legacy 42" Stainless Steel Kickplate

Legacy 45 3/16" Pro Handle

Legacy Custom Front Panel Mounting Kit

Legacy Grille Frame - 84"

Legacy Pro Louvered Flush Inset Grille - 84"

Legacy Stainless Steel Flush Inset Freezer Door Panel with Pro Handle

Legacy Stainless Steel Flush Inset Grille Panel

Legacy Stainless Steel Flush Inset Refrigerator Door Panel with Pro Handle

Legacy Stainless Steel Flush Inset Refrigerator Door Panel with Tubular Handle

Legacy Stainless Steel Side Panel

Legacy Tubular Handle



## HANDLE ACCESSORIES

PRO



TUBULAR



## PRODUCT DETAILS

### REFRIGERATOR

- 1 adjustable dairy compartment
- 1 high-humidity crisper drawer with adjustable dividers
- 2 refrigerator storage drawers with adjustable dividers
- 5 refrigerator door bins (3 adjustable; 2 stationary)
- 5 glass refrigerator shelves (4 adjustable; 1 stationary)
- LED refrigerator and freezer lights

### FREEZER

- 5 adjustable freezer door bins
- 4 wire freezer shelves (3 adjustable; 1 stationary)
- 3 freezer storage drawers

---

Louvered Grille - 83"

---

Louvered Grille - 88"

---

Stainless Steel Flush Inset Freezer Door Panel with Tubular Handle

---

Stainless Steel Pro Louvered Grille - 84"

---

Water Filter

---

Water Filter

---

Water Filter By-Pass Plug

---

White Side Panel

---

Stainless Steel Pro Handles

---

Stainless Steel Tubular Handles

Accessories are available through an authorized dealer.  
For local dealer information, visit [subzero-wolf.com/locator](https://subzero-wolf.com/locator).

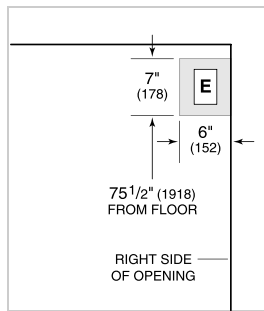
---

Specifications are subject to change without notice. This information was generated on July 18, 2024. Verify specifications prior to finalizing your cabinetry/enclosures.

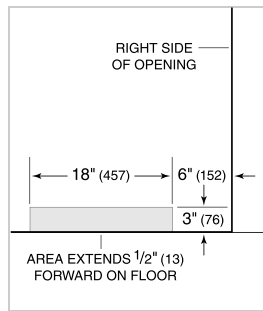
**PRODUCT SPECIFICATIONS**

Model	BI-42S/O
Dimensions	42"W x 84"H x 24"D
Refrigerator Capacity	15.4 cu. ft.
Freezer Capacity	8.4 cu. ft.
Electrical Supply	115 VAC, 60 Hz
Electrical Service	15 amp dedicated circuit
Plumbing Supply	1/4" OD copper, braided stainless steel or PEX tubing
Plumbing Pressure	35–120 psi
Receptacle	3-prong grounding-type

**ELECTRICAL**



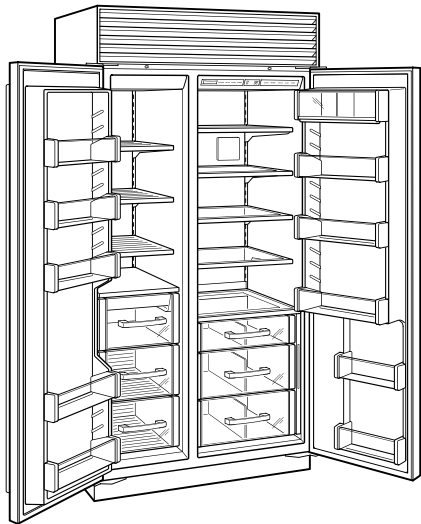
**PLUMBING**



**PANEL SPECIFICATIONS** For complete panels specifications including width/height, weight requirements, thickness requirements and offset details visit [subzero-wolf.com/builtinconfigurator](http://subzero-wolf.com/builtinconfigurator).

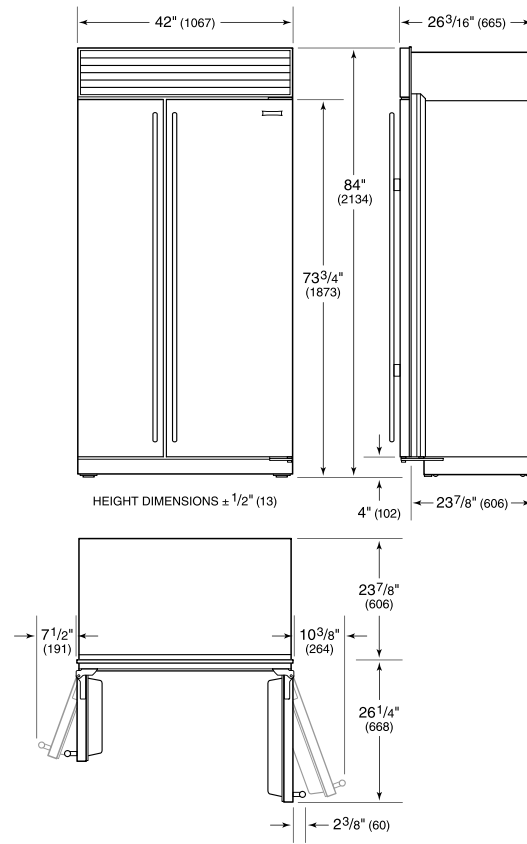
**NOTE:** Dimensions in parenthesis are in millimeters unless otherwise specified

**INTERIOR VIEW**

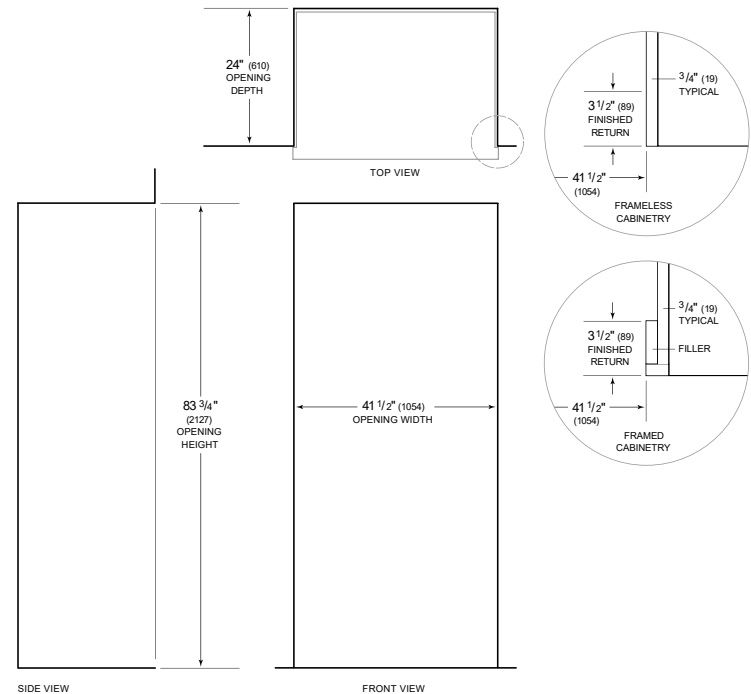


This illustration is intended for interior reference only and may not represent the exterior of the model being specified.

**DIMENSIONS**



**STANDARD INSTALLATION**



**NOTE:** 3 1/2" (89) finished returns will be visible and should be finished to match cabinetry. Shaded line represents profile of unit.