

BI-42SID/O

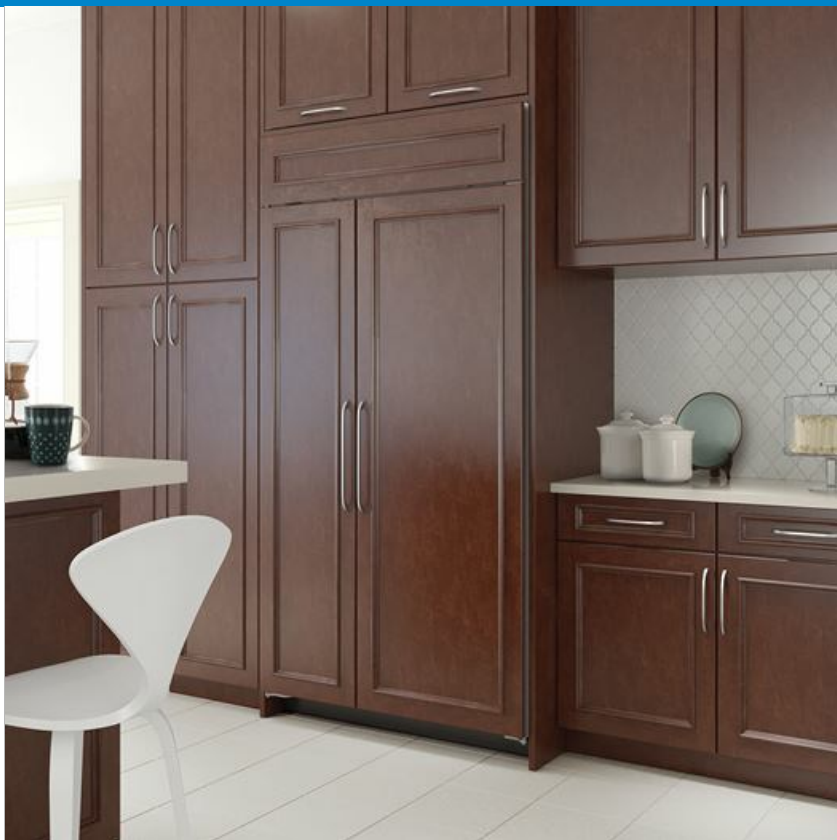


FEATURES

- _____ Rigorously tested to ensure decades of use
- _____ Exceptional support from Madison, WI-based Customer Care team
- _____ LED Lighting for brighter interior
- _____ Dual refrigeration keeps food fresher longer
- _____ Air purification system fights spoilage, odors
- _____ Microprocessor control assures peak performance
- _____ Crispers and deli drawers in low-temp, high-humidity zones for optimum freshness
- _____ Freshness cards for maximum food preservation
- _____ Water-filtration system reduces contaminants, chlorine taste and odor
- _____ Magnetic door seal system locks in cold air
- _____ Automatic ice maker with "max ice" feature
- _____ Adjustable shelves for maximum convenience
- _____ Ice and chilled water dispenser inside the refrigerator marries convenience and aesthetics
- _____ Overlay design accepts cabinetry panels of all kinds

ACCESSORIES

- _____ 42" Stainless Steel Kickplate
- _____ 90° Door Stop
- _____ Air Purification Cartridge
- _____ Custom Front Panel Mounting Kit
- _____ Custom Side Panel Mounting Kit
- _____ Egg Container
- _____ Extended Framed Handle Kit
- _____ Framed Handle Kit
- _____ Framed Louvered Grille Insert
- _____ Framed Stainless Steel Front Panels
- _____ Framed White Front Panels
- _____ Grille Frame - 83"
- _____ Grille Frame - 88"
- _____ Louvered Grille - 83"
- _____ Louvered Grille - 88"
- _____ Pro Louvered Flush Inset Grille - 84"
- _____ Stainless Steel Flush Inset Freezer Door Panel with Pro Handle
- _____ Stainless Steel Flush Inset Grille Panel
- _____ Stainless Steel Flush Inset Refrigerator Door Panel with Pro Handle
- _____ Stainless Steel Flush Inset Refrigerator Door Panel with Tubular Handle



HANDLE ACCESSORIES

PRO



TUBULAR



PRODUCT DETAILS

REFRIGERATOR

- Internal ice and water dispenser
- 4 Adjustable glass shelves
- 1 Stationary glass shelf
- 1 High-humidity drawer with divider
- 2 Storage drawers with divider
- 3 Adjustable door shelves
- 2 Stationary door shelves
- Adjustable dairy compartment

FREEZER

- 2 Adjustable wire shelves
- 1 Stationary solid shelf
- 3 Storage drawers
- 5 Adjustable door shelves
- Automatic ice maker

Stainless Steel Side Panel

Stainless Steel Flush Inset Freezer Door Panel with Tubular Handle

Water Filter 4204490

White Side Panel

Grilles for 83" or 88" finished height (84" is standard)

Stainless Steel Pro Handles

Stainless Steel Tubular Handles

Built-In Louvered Grilles

Built-In Overlay or Flush Inset Grille Frames

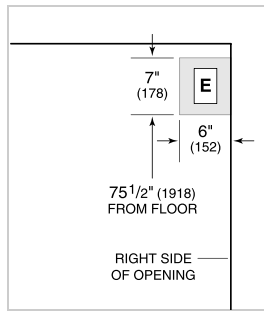
Accessories are available through an authorized dealer.
For local dealer information, visit [subzero-wolf.com/locator](https://www.subzero-wolf.com/locator).

Specifications are subject to change without notice. This information was generated on November 28, 2021. Verify specifications prior to finalizing your cabinetry/enclosures.

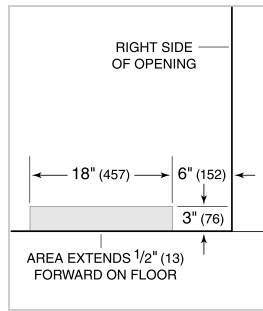
PRODUCT SPECIFICATIONS

Model	BI-42SID/O
Dimensions	42"W x 84"H x 24"D
Door Clearance	26 1/4"
Weight	608 lbs
Refrigerator Capacity	15.8 cu. ft.
Freezer Capacity	7.9 cu. ft.
Electrical Supply	115 VAC, 60 Hz
Electrical Service	15 amp dedicated circuit
Receptacle	3-prong grounding-type

ELECTRICAL



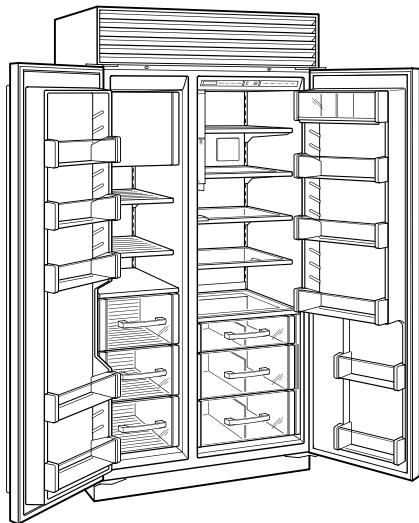
PLUMBING



PANEL SPECIFICATIONS For complete panels specifications including width/height, weight requirements, thickness requirements and offset details visit subzero-wolf.com/builtinconfigurator.

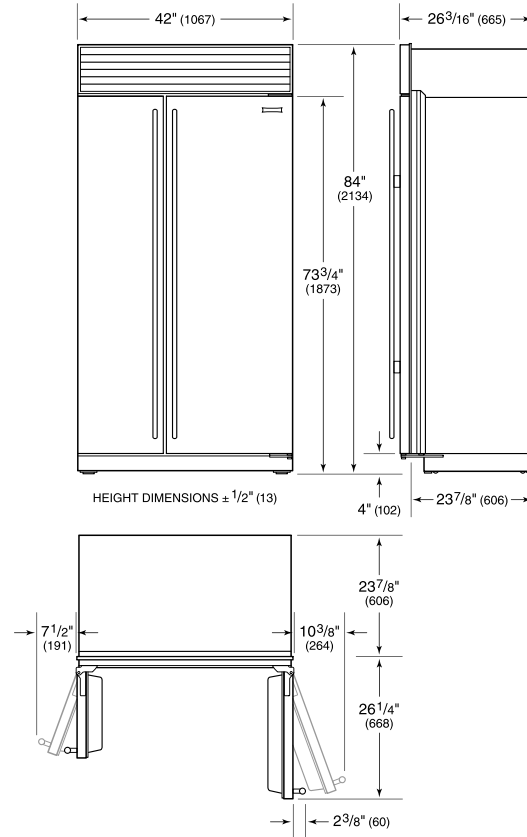
NOTE: Dimensions in parenthesis are in millimeters unless otherwise specified

INTERIOR VIEW

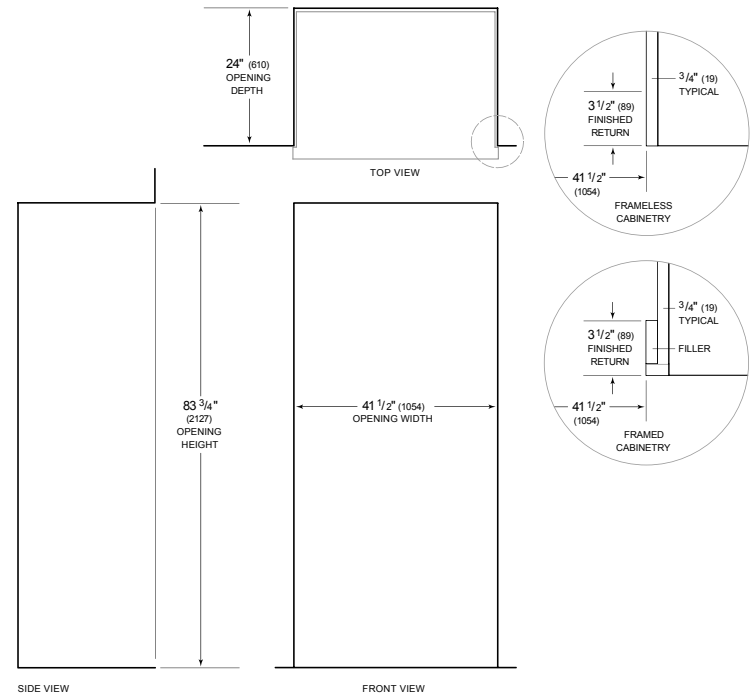


This illustration is intended for interior reference only and may not represent the exterior of the model being specified.

DIMENSIONS



STANDARD INSTALLATION



NOTE: 3 1/2" (89) finished returns will be visible and should be finished to match cabinetry. Shaded line represents profile of unit.