

BI-42UFD/S



## FEATURES

- Monitor and control remotely with Wi-Fi connectivity

---

- Preserves refrigerated foods with cool, moist air and frozen foods with frigid, dry air

---

- Fight spoilage and odours with a NASA-inspired air purification system

---

- Locks in cold air to ensure freshness with magnetic door seals

---

- Keeps produce fresher with high-humidity, sealed crisper and deli drawers

---

- Controls temperature within one degree of setpoint

---

- Filters ice, removing contaminants, chlorine taste, and odour

---

- Yields ice automatically and "max ice" for additional production

---

- Ensures excellent visibility with bright lights

---

- Refer to freshness cards for tips on food preservation, use, and care

## ACCESSORIES

- 90° Door Stop

---

- Air Purification Cartridge

---

- Egg Container

---

- Legacy 42" Stainless Steel Kickplate

---

- Legacy Grille Frame - 84"

---

- Legacy Pro Handle

---

- Legacy Stainless Steel Side Panel

---

- Legacy Tubular Handle

---

- Stainless Steel Pro Louvered Grille - 83"

---

- Stainless Steel Pro Louvered Grille - 84"

---

- Stainless Steel Pro Louvered Grille - 88"

---

- Water Filter

---

- Water Filter

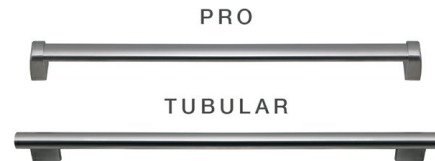
---

- White Side Panel

Accessories are available through an authorized dealer.  
For local dealer information, visit [subzero-wolf.com/locator](http://subzero-wolf.com/locator).



## HANDLE OPTIONS



## PRODUCT DETAILS

### REFRIGERATOR

- 1 refrigerator storage drawers with adjustable dividers
- 1 high-humidity crisper drawer with adjustable dividers
- 2 adjustable dairy compartments
- 4 glass refrigerator shelves (3 adjustable; 1 stationary)
- 5 refrigerator door bins (3 adjustable; 2 stationary)
- LED refrigerator and freezer lights

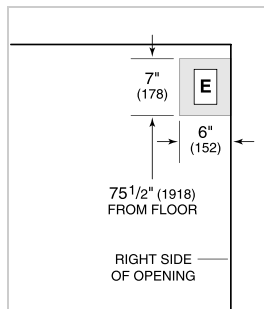
### FREEZER

- 1 full-extension roll-out freezer drawer
- Automatic ice maker with removable ice container

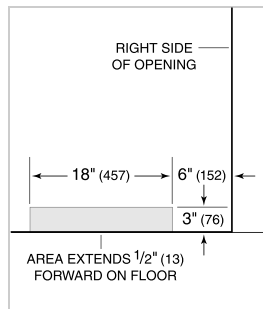
**PRODUCT SPECIFICATIONS**

Model	BI-42UFD/S
Dimensions	42"W x 84"H x 24"D
Refrigerator Capacity	17.9 cu. ft.
Freezer Capacity	6.3 cu. ft.
Electrical Supply	115 VAC, 60 Hz
Electrical Service	15 amp dedicated circuit
Plumbing Supply	1/4" OD copper, braided stainless steel or PEX tubing
Plumbing Pressure	35–120 psi
Receptacle	3-prong grounding-type

**ELECTRICAL**



**PLUMBING**



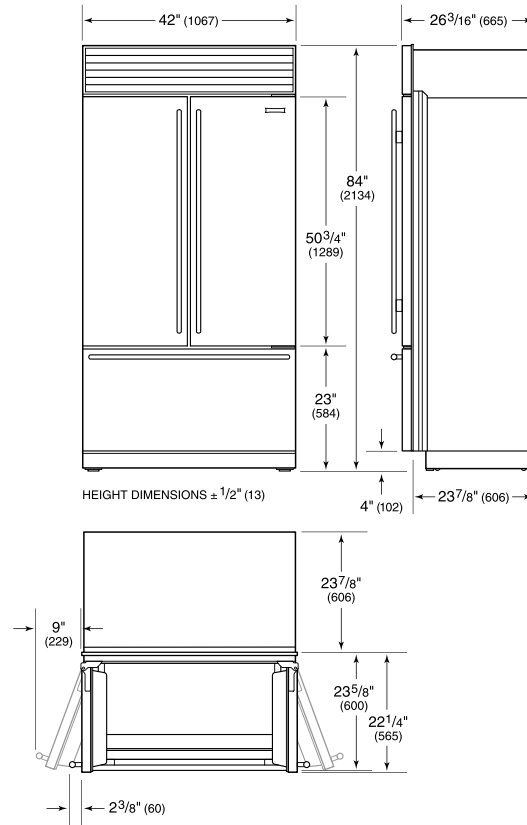
**NOTE:** Dimensions in parenthesis are in millimeters unless otherwise specified

**INTERIOR VIEW**

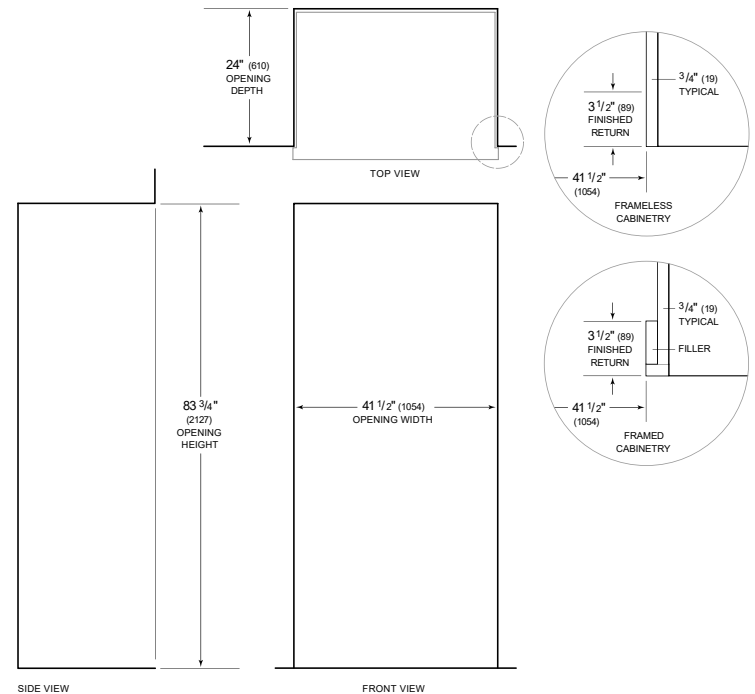


This illustration is intended for interior reference only and may not represent the exterior of the model being specified.

**DIMENSIONS**



**STANDARD INSTALLATION**



**NOTE:** 3 1/2" (89) finished returns will be visible and should be finished to match cabinetry. Shaded line represents profile of unit.