

BI-48SID/O



**FEATURES**

- \_\_\_\_\_ Rigorously tested to ensure decades of use
- \_\_\_\_\_ Exceptional support from Madison, WI-based Customer Care team
- \_\_\_\_\_ LED Lighting for brighter interior
- \_\_\_\_\_ Dual refrigeration keeps food fresher longer
- \_\_\_\_\_ Air purification system fights spoilage, odors
- \_\_\_\_\_ Microprocessor control assures peak performance
- \_\_\_\_\_ Crispers and deli drawers in low-temp, high-humidity zones for optimum freshness
- \_\_\_\_\_ Freshness cards for maximum food preservation
- \_\_\_\_\_ Water-filtration system reduces contaminants, chlorine taste and odor
- \_\_\_\_\_ Magnetic door seal system locks in cold air
- \_\_\_\_\_ Automatic ice maker with "max ice" feature
- \_\_\_\_\_ Adjustable shelves for maximum convenience
- \_\_\_\_\_ Ice and chilled water dispenser inside the refrigerator marries convenience and aesthetics
- \_\_\_\_\_ Overlay design accepts cabinetry panels of all kinds
- \_\_\_\_\_ Ice and chilled water dispenser inside the refrigerator marries convenience and aesthetics

**ACCESSORIES**

- \_\_\_\_\_ 48" Stainless Steel Kickplate
- \_\_\_\_\_ 90° Door Stop
- \_\_\_\_\_ Air Purification Cartridge
- \_\_\_\_\_ Custom Front Panel Mounting Kit
- \_\_\_\_\_ Custom Side Panel Mounting Kit
- \_\_\_\_\_ Egg Container
- \_\_\_\_\_ Extended Framed Handle Kit
- \_\_\_\_\_ Framed Handle Kit
- \_\_\_\_\_ Framed Louvered Grille Insert
- \_\_\_\_\_ Framed Stainless Steel Front Panels
- \_\_\_\_\_ Framed White Front Panels
- \_\_\_\_\_ Grille Frame - 83"
- \_\_\_\_\_ Grille Frame - 88"
- \_\_\_\_\_ Louvered Grille - 83"
- \_\_\_\_\_ Louvered Grille - 88"
- \_\_\_\_\_ Pro Louvered Flush Inset Grille - 84"
- \_\_\_\_\_ Stainless Steel Flush Inset Freezer Door Panel with Pro Handle
- \_\_\_\_\_ Stainless Steel Flush Inset Freezer Door Panel with Tubular Handle
- \_\_\_\_\_ Stainless Steel Flush Inset Grille Panel



**HANDLE ACCESSORIES**

PRO



TUBULAR



**PRODUCT DETAILS**

**REFRIGERATOR**

- Internal ice and water dispenser
- 4 Adjustable glass shelves
- 1 Stationary glass shelf
- 1 High-humidity drawer with divider
- 2 Storage drawers with divider
- 3 Adjustable door shelves
- 2 Stationary door shelves
- Adjustable dairy compartment

**FREEZER**

- 3 Adjustable wire shelves
- 1 Stationary solid shelf
- 3 Storage drawers
- 5 Adjustable door shelves
- Automatic ice maker

---

Stainless Steel Flush Inset Refrigerator Door Panel with Pro Handle

---

Stainless Steel Flush Inset Refrigerator Door Panel with Tubular Handle

---

Stainless Steel Side Panel

---

Water Filter 4204490

---

White Side Panel

---

Grilles for 83" or 88" finished height (84" is standard)

---

Stainless Steel Pro Handles

---

Stainless Steel Tubular Handles

---

Built-In Louvered Grilles

---

Built-In Overlay or Flush Inset Grille Frames

---

Accessories are available through an authorized dealer.  
For local dealer information, visit [subzero-wolf.com/locator](http://subzero-wolf.com/locator).

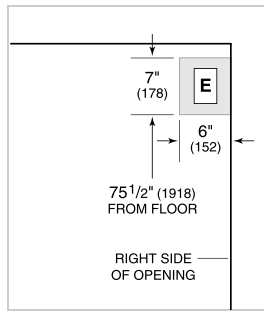
---

Specifications are subject to change without notice. This information was generated on November 22, 2019. Verify specifications prior to finalizing your cabinetry/enclosures.

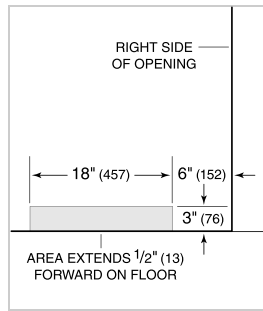
**PRODUCT SPECIFICATIONS**

|                       |                          |
|-----------------------|--------------------------|
| Model                 | BI-48SID/O               |
| Dimensions            | 48"W x 84"H x 24"D       |
| Door Clearance        | 30"                      |
| Weight                | 656 lbs                  |
| Refrigerator Capacity | 18.6 cu. ft.             |
| Freezer Capacity      | 9.6 cu. ft.              |
| Electrical Supply     | 115 VAC, 60 Hz           |
| Electrical Service    | 15 amp dedicated circuit |
| Receptacle            | 3-prong grounding-type   |

**ELECTRICAL**



**PLUMBING**



**PANEL SPECIFICATIONS** For complete panels specifications including width/height, weight requirements, thickness requirements and offset details visit [subzero-wolf.com/builtinconfigurator](http://subzero-wolf.com/builtinconfigurator).

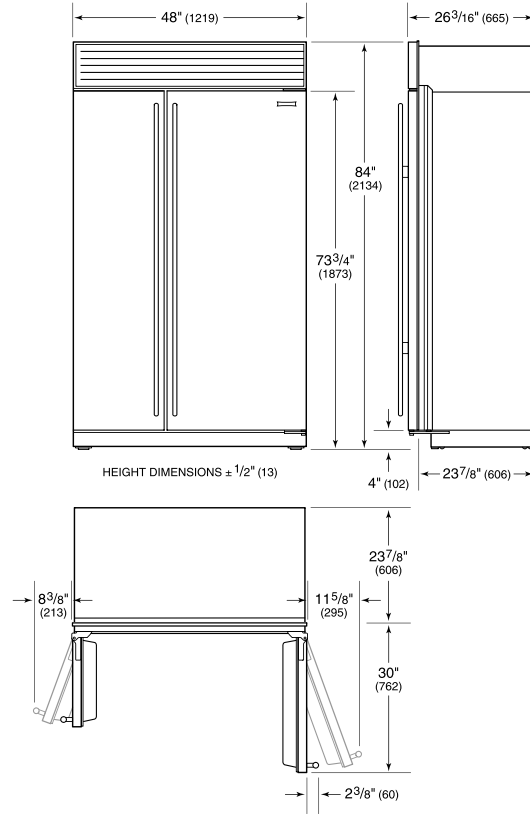
**NOTE:** Dimensions in parenthesis are in millimeters unless otherwise specified

**INTERIOR VIEW**

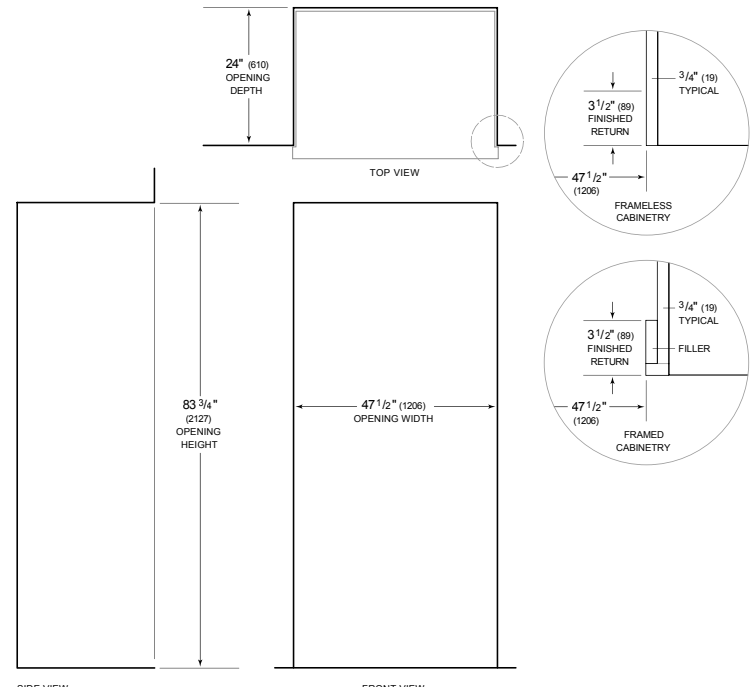


This illustration is intended for interior reference only and may not represent the exterior of the model being specified.

**DIMENSIONS**



**STANDARD INSTALLATION**



**NOTE:** 3 1/2" (89) finished returns will be visible and should be finished to match cabinetry. Shaded line represents profile of unit.