

BI-48SID/S



## FEATURES

- Rigorously tested to ensure decades of use
- Exceptional support from Madison, WI-based Customer Care team
- LED Lighting for brighter interior
- Dual refrigeration keeps food fresher longer
- Air purification system fights spoilage, odors
- Microprocessor control assures peak performance
- Crispers and deli drawers in low-temp, high-humidity zones for optimum freshness
- Freshness cards for maximum food preservation
- Water-filtration system reduces contaminants, chlorine taste and odor
- Magnetic door seal system locks in cold air
- Automatic ice maker with "max ice" feature
- Adjustable shelves for maximum convenience
- Ice and chilled water dispenser inside the refrigerator marries convenience and aesthetics

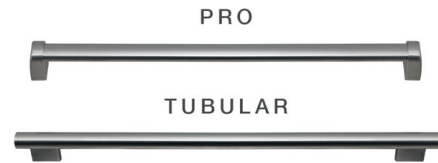
## ACCESSORIES

- 48" Stainless Steel Kickplate
- 90° Door Stop
- Air Purification Cartridge
- Egg Container
- Stainless Steel Pro Louvered Grille - 84"
- Stainless Steel Pro Louvered Grille - 84"
- Stainless Steel Pro Louvered Grille - 88"
- Stainless Steel Side Panel
- Water Filter 4204490
- White Side Panel
- Grilles for 83" or 88" finished height (84" is standard)
- Built-In Stainless Steel Pro Louvered Grilles

Accessories are available through an authorized dealer.  
For local dealer information, visit [subzero-wolf.com/locator](http://subzero-wolf.com/locator).



## HANDLE OPTIONS



## PRODUCT DETAILS

### REFRIGERATOR

- Internal ice and water dispenser
- 4 Adjustable glass shelves
- 1 Stationary glass shelf
- 1 High-humidity drawer with divider
- 2 Storage drawers with divider
- 3 Adjustable door shelves
- 2 Stationary door shelves
- Adjustable dairy compartment

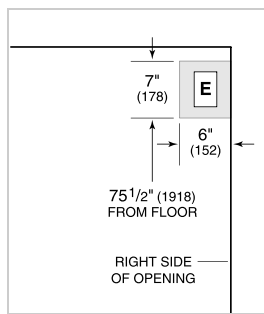
### FREEZER

- 3 Adjustable wire shelves
- 1 Stationary solid shelf
- 3 Storage drawers
- 5 Adjustable door shelves
- Automatic ice maker

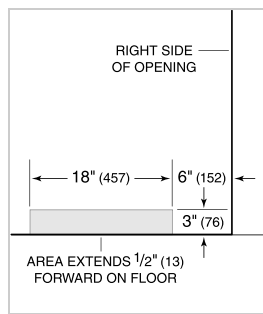
**PRODUCT SPECIFICATIONS**

Model	BI-48SID/S
Dimensions	48"W x 84"H x 24"D
Door Clearance	30"
Weight	656 lbs
Refrigerator Capacity	18.6 cu. ft.
Freezer Capacity	9.6 cu. ft.
Electrical Supply	115 VAC, 60 Hz
Electrical Service	15 amp dedicated circuit
Receptacle	3-prong grounding-type

**ELECTRICAL**



**PLUMBING**



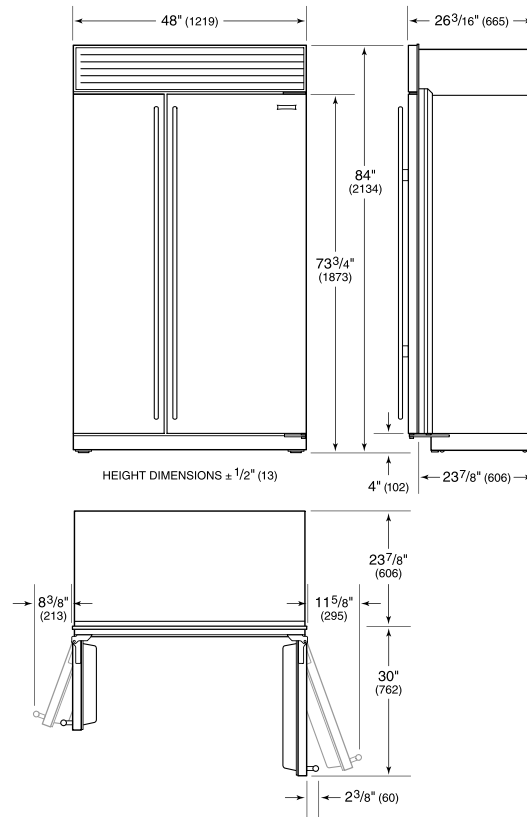
NOTE: Dimensions in parenthesis are in millimeters unless otherwise specified

**INTERIOR VIEW**

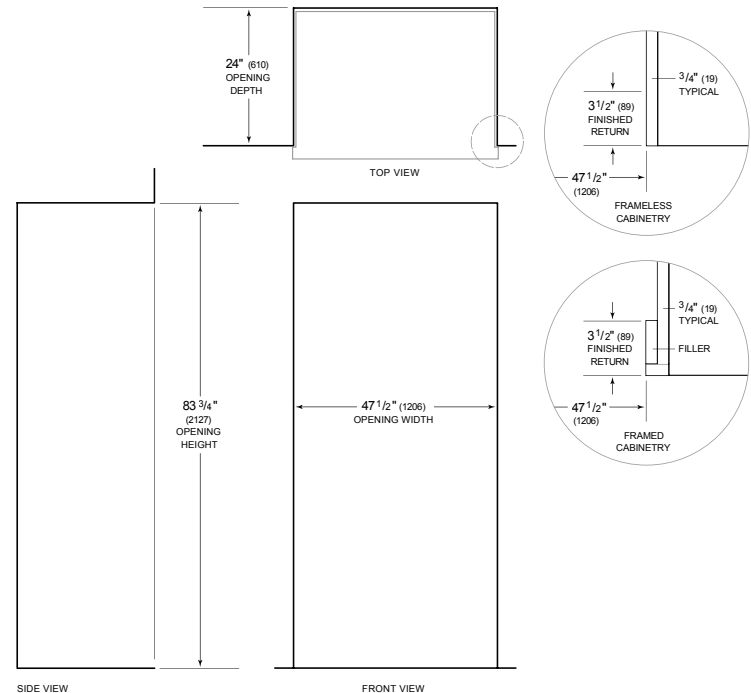


This illustration is intended for interior reference only and may not represent the exterior of the model being specified.

**DIMENSIONS**



**STANDARD INSTALLATION**



NOTE: 3 1/2" (89) finished returns will be visible and should be finished to match cabinetry  
Shaded line represents profile of unit.