

BI-36S/O



## FEATURES

Monitor and control remotely with Wi-Fi connectivity

Accepts custom panels for an integrated look within cabinetry or stainless-steel accessory panels and handles to match other Sub-Zero, Wolf, and Cove products\*

Preserves refrigerated foods with cool, moist air and frozen foods with frigid, dry air

Fight spoilage and odours with a NASA-inspired air purification system

Locks in cold air to ensure freshness with magnetic door seals

Keeps produce fresher with high-humidity, sealed crisper and deli drawers

Controls temperature within one degree of setpoint

Filters ice, removing contaminants, chlorine taste, and odour

Yields ice automatically and "max ice" for additional production

Ensures excellent visibility with bright lights

Refer to freshness cards for tips on food preservation, use, and care

## ACCESSORIES

36" Stainless Steel Kickplate

90° Door Stop

Air Purification Cartridge

Custom Side Panel Mounting Kit

Legacy 45 3/16" Pro Handle

Legacy Custom Front Panel Mounting Kit

Legacy Grille Frame - 84"

Legacy Pro Louvered Flush Inset Grille - 84"

Legacy Stainless Steel Flush Inset Grille Panel

Legacy Stainless Steel Pro Louvered Grille - 84"

Legacy Stainless Steel Side Panel

Legacy Tubular Handle

Water Filter

Water Filter

Water Filter By-Pass Plug

White Side Panel

Stainless Steel Tubular Handles

Stainless Steel Pro Handles

Flush Inset Installation Accessories

Framed Installation Accessories

Classic Overlay or Flush Inset Grille Frames

Classic Louvered Grilles

Accessories are available through an authorized dealer.  
For local dealer information, visit [subzero-wolf.com/locator](http://subzero-wolf.com/locator).



## HANDLE ACCESSORIES

PRO



TUBULAR



## PRODUCT DETAILS

### REFRIGERATOR

- 1 adjustable dairy compartment
- 1 high-humidity crisper drawer with adjustable dividers
- 2 refrigerator storage drawers with adjustable dividers
- 5 refrigerator door bins (3 adjustable; 2 stationary)
- 5 glass refrigerator shelves (4 adjustable; 1 stationary)
- LED refrigerator and freezer lights

### FREEZER

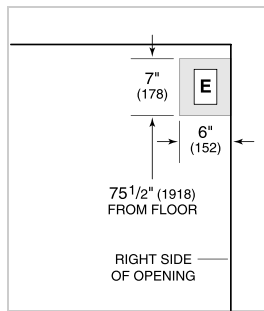
- 3 freezer storage drawers
- 4 wire freezer shelves (3 adjustable; 1 stationary)
- 5 adjustable freezer door bins



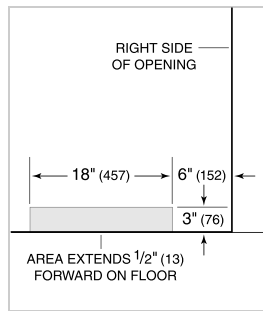
**PRODUCT SPECIFICATIONS**

|                       |   |
|-----------------------|---|
| Model                 | BI-36S/O  |
| Dimensions            | 36"W x 84"H x 24"D                                    |
| Refrigerator Capacity | 12.4 cu. ft.  |
| Freezer Capacity      | 8.2 cu. ft.   |
| Electrical Supply     | 115 VAC, 60 Hz  |
| Electrical Service    | 15 amp dedicated circuit                              |
| Plumbing Supply       | 1/4" OD copper, braided stainless steel or PEX tubing |
| Plumbing Pressure     | 35-120 psi  |
| Receptacle            | 3-prong grounding-type                                |

**ELECTRICAL**



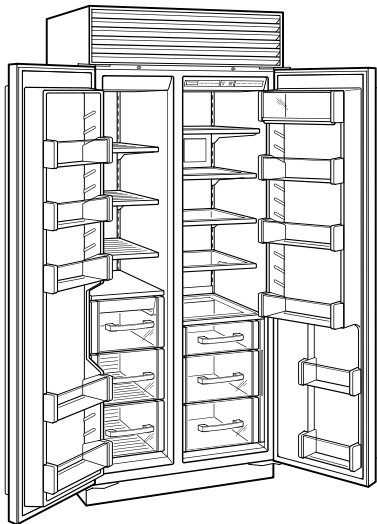
**PLUMBING**



**PANEL SPECIFICATIONS** For complete panels specifications including width/height, weight requirements, thickness requirements and offset details visit [subzero-wolf.com/builtinconfigurator](http://subzero-wolf.com/builtinconfigurator).

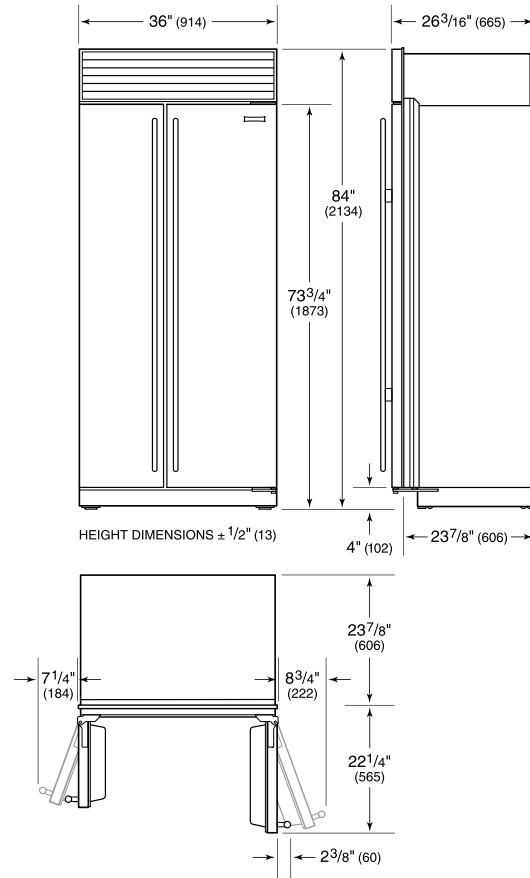
**NOTE:** Dimensions in parenthesis are in millimeters unless otherwise specified

**INTERIOR VIEW**

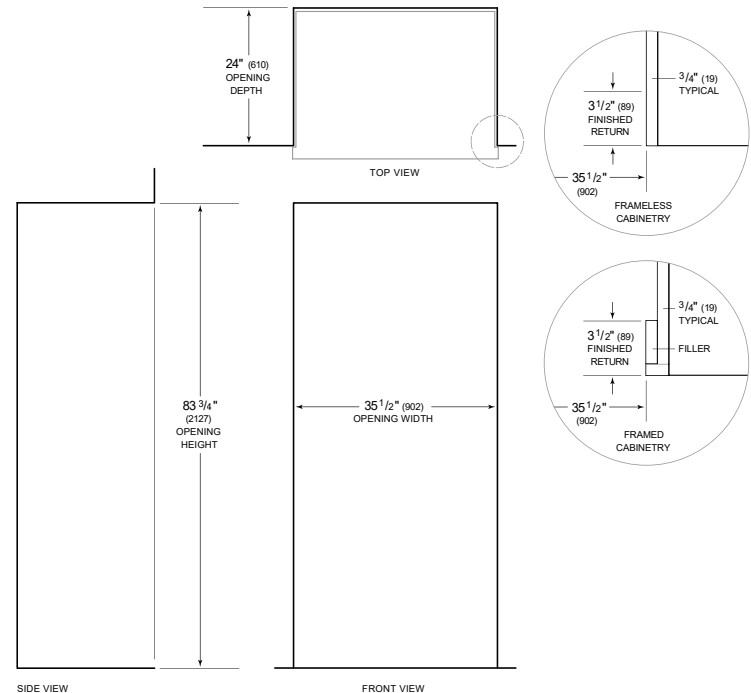


This illustration is intended for interior reference only and may not represent the exterior of the model being specified.

**DIMENSIONS**



**STANDARD INSTALLATION**



**NOTE:** 3 1/2" (89) finished returns will be visible and should be finished to match cabinetry. Shaded line represents profile of unit.