

ID-24F



## FEATURES

Rigorously tested to ensure decades of use

Exceptional support from Madison, WI-based Customer Care team

Smart-touch controls for streamlined access to more settings

Ready to be fitted with custom panels and handles to blend with cabinetry

Soft-on LED lights for varying degrees of brightness

Soft-close doors and drawers

## ACCESSORIES

24" Drawer Panels with Pro Handles

24" Drawer Panels with Pro Handles

24" Drawer Panels with Tubular Handles

24" Drawer Panels with Tubular Handles

42" Stainless Steel Kickplate

48" Stainless Steel Kickplate

54" Stainless Steel Kickplate

60" Stainless Steel Kickplate

Dual Installation Kit

Reduced Toekick Divider

Stainless Steel Pro Handles

Stainless Steel Tubular Handles

Accessories are available through an authorized dealer.  
For local dealer information, visit [subzero-wolf.com/locator](http://subzero-wolf.com/locator).



## PRODUCT DETAILS

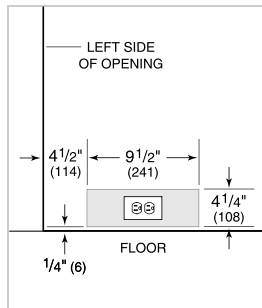
### FREEZER

- Adjustable drawer dividers

**PRODUCT SPECIFICATIONS**

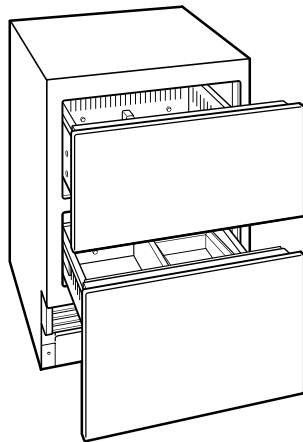
Model	ID-24F
Dimensions	24"W x 34 1/2"H x 24"D
Drawer Clearance	18 3/8"
Weight	170 lbs
Freezer Capacity	3.8 cu. ft.
Electrical Supply	115 VAC, 60 Hz
Electrical Service	15 amp dedicated circuit
Receptacle	3-prong grounding-type

**ELECTRICAL**



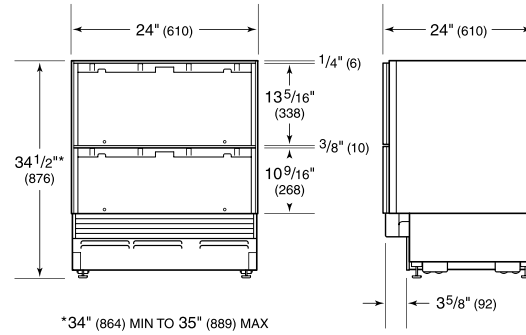
NOTE: Dimensions in parenthesis are in millimeters unless otherwise specified

**INTERIOR VIEW**

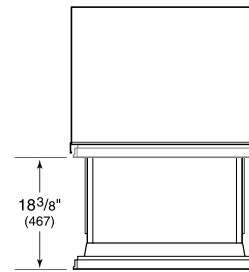


This illustration is intended for interior reference only and may not represent the exterior of the model being specified.

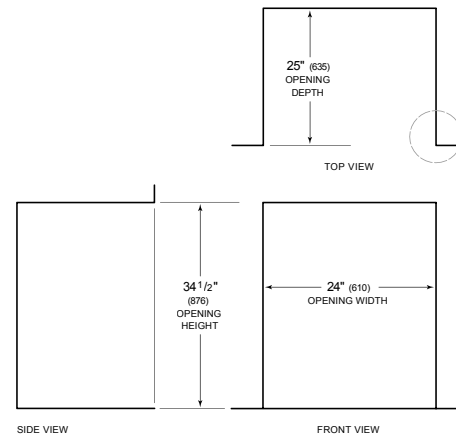
**DIMENSIONS**



\*34" (864) MIN TO 35" (889) MAX



**STANDARD INSTALLATION**



NOTE: 3 1/2" (89) finished returns will be visible and should be finished to match cabinetry

