

648PRO



FEATURES

This is a legacy model. For the most up-to-date features and benefits, consider the newest model offering (found on our product search page).

Install directly within surrounding cabinetry for built-in, or add accessory panels for freestanding

Makes an iconic stainless-steel statement, inside and out

Preserves refrigerated foods with cool, moist air and frozen foods with frigid, dry air

Locks in temperature and humidity with soft-close door hinge and magnetic seal on doors and drawers

Controls temperature within one degree of setpoint

Automatic ice maker with advanced water filtration system

Control brightness with soft-on LED lighting

ACCESSORIES

Egg Container

Kickplate Set

Refrigerator Drawer Dividers

Stainless Steel Side Panel

Stainless Steel Slide-Out Bin

Top Panel

Water Filter

Water Filter

Accessories are available through an authorized dealer. For local dealer information, visit subzero-wolf.com/locator.



PRODUCT DETAILS

REFRIGERATOR

- LED side lights
- 4 glass refrigerator shelves (3 adjustable; 1 stationary)
- 1 glass crisper lid
- 2 stainless-steel slide-out bins
- 2 freezer drawers with adjustable dividers

FREEZER

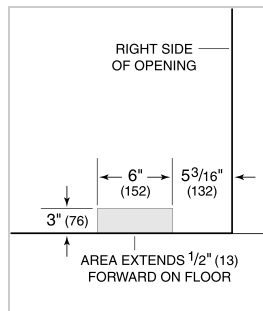
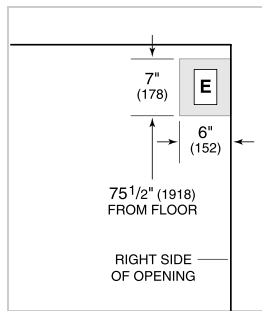
- 4 stainless-steel freezer shelves (3 adjustable; 1 stationary)
- 2 freezer drawers with adjustable dividers
- Automatic ice maker with removable ice container

PRODUCT SPECIFICATIONS

Model	648PRO
Dimensions	48"W x 84"H x 24"D
Refrigerator Capacity	18.4 cu. ft.
Freezer Capacity	11.7 cu. ft.
Door Clearance	30 3/4"
Drawer Clearance	14 1/2"
Weight	880 lbs
Electrical Supply	115 VAC, 60 Hz
Electrical Service	15 amp dedicated circuit
Plumbing Supply	1/4" OD copper, braided stainless steel or PEX tubing
Plumbing Pressure	35 - 120 psi
Receptacle	3-prong grounding-type

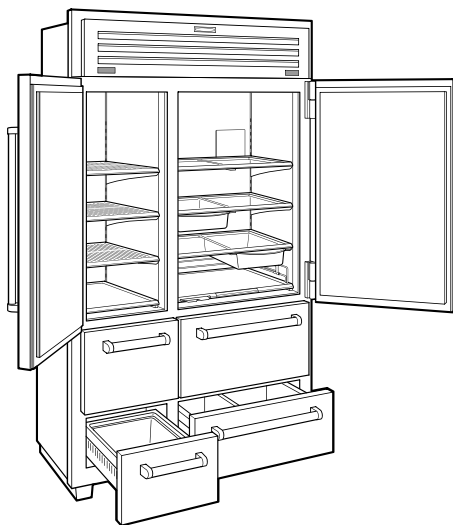
ELECTRICAL

PLUMBING



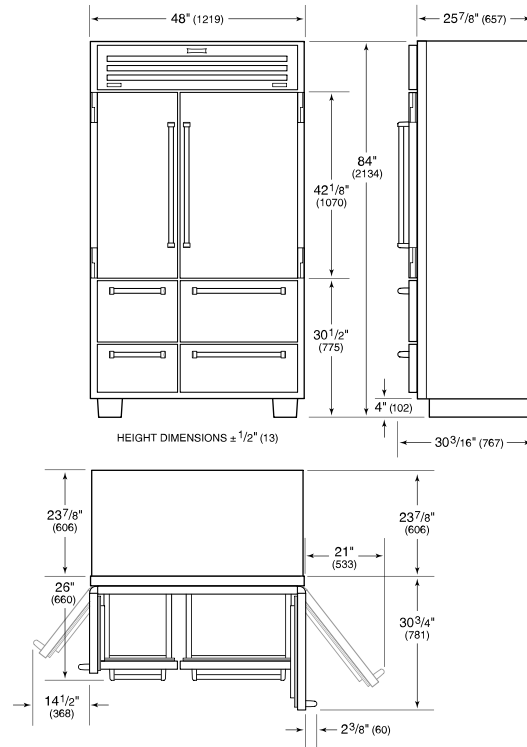
NOTE: Dimensions in parenthesis are in millimeters unless otherwise specified

INTERIOR VIEW

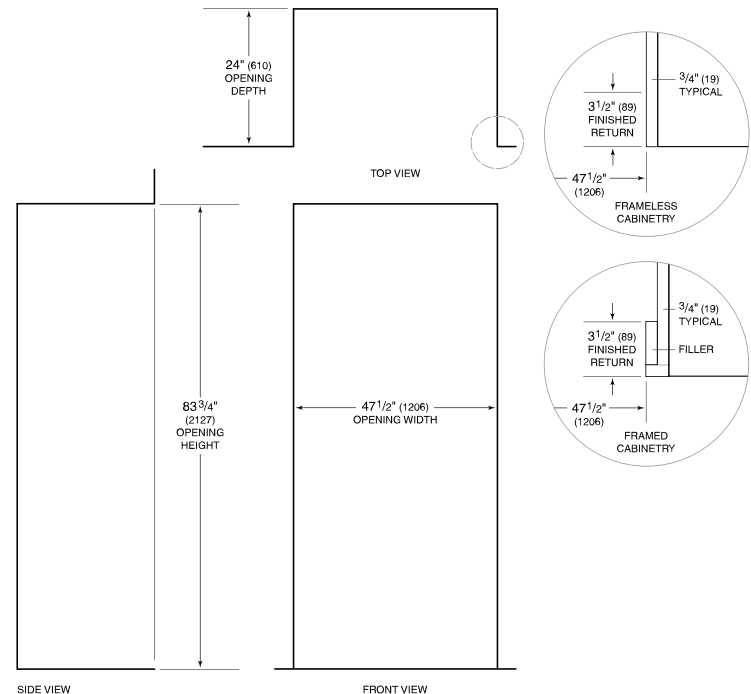


This illustration is intended for interior reference only and may not represent the exterior of the model being specified.

DIMENSIONS



STANDARD INSTALLATION



NOTE: 3 1/2" (89) finished returns will be visible and should be finished to match cabinetry.