

IW-30CI

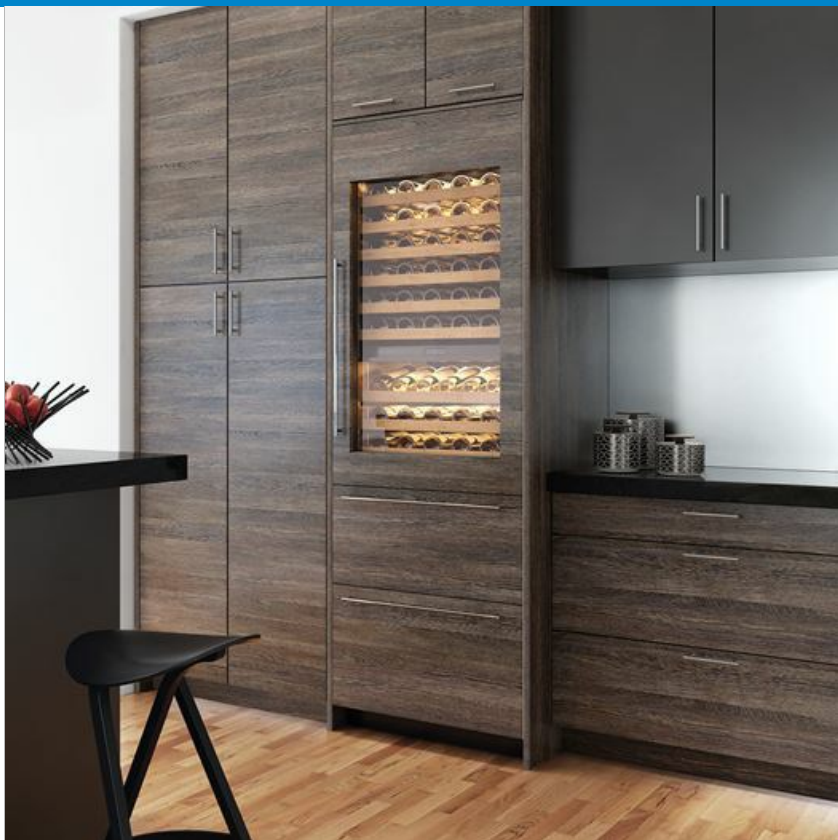


### FEATURES

- Custom front panel and hardware allow for infinite design options.
- Four independent temperature zones
- Dual evaporators for constant, moderate humidity so corks don't dry out
- Bronze-tinted, UV-resistant glass protects against light exposure
- Full-extension, easy-glide racks provide access without agitating wine
- Flexible storage and LED lighting options
- Automatic ice maker with "max ice" feature
- Intuitive touch control panel keeps temps within one degree of set point
- Home security system connection
- Rigorously tested in our U.S. manufacturing facilities to ensure decades of use
- Exceptional 24/7 support from Madison, WI-based Customer Care team
- New inventory tiles system lets you label wine racks for easy ID

### ACCESSORIES

- 30" Bulk Storage Drawer
- Cherrywood Humidor
- Dessert Wine Rack
- Door Lock Kit
- Dual Installation Kit Handle to Hinge
- Dual Installation Kit Hinge to Handle
- Dual Installation Kit Hinge to Hinge
- Integrated Solid Panel Ready Tall Wine Storage Door - Left Hinge
- Integrated Solid Panel Ready Tall Wine Storage Door - Right Hinge
- Reduced Toekick Divider
- Stainless Steel 30" Drawer Panels with Tubular Handles
- Stainless Steel Side Panel
- Stainless Steel Tall Wine Storage Door Panel with Pro Handle - Left Hinge
- Stainless Steel Tall Wine Storage Door Panel with Pro Handle - Right Hinge
- Stainless Steel Tall Wine Storage Door Panel with Tubular Handle - Left Hinge
- Stainless Steel Top Panel
- Water Filter 4204490
- Wine inventory tiles
- Wine inventory tiles-writable
- Stainless steel pro handles
- Stainless steel tubular handles



### HANDLE ACCESSORIES

PRO



TUBULAR



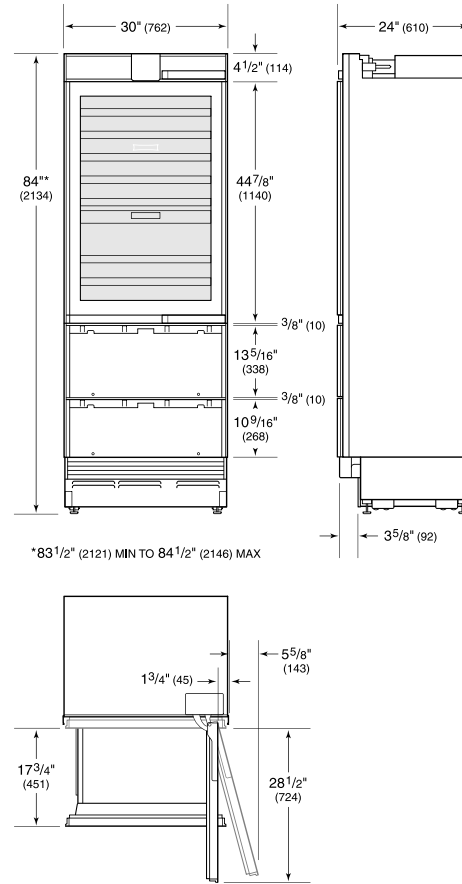
Accessories are available through an authorized dealer.  
For local dealer information, visit [subzero-wolf.com/locator](http://subzero-wolf.com/locator).

Specifications are subject to change without notice. This information was generated on February 17, 2019. Verify specifications prior to finalizing your cabinetry/enclosures.

**PRODUCT SPECIFICATIONS**

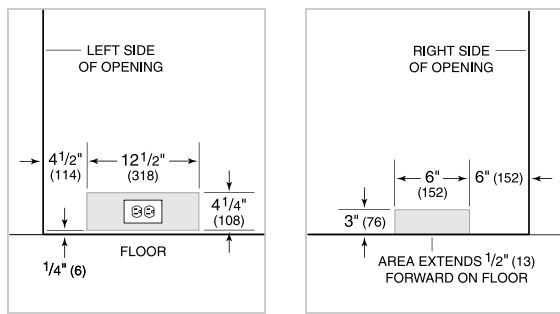
Model	IW-30CI
Dimensions	30"W x 84"H x 24"D
Door Clearance	28 1/2"
Weight	490 lbs
Electrical Supply	115 VAC, 60 Hz
Electrical Service	15 amp dedicated circuit
Wine Storage Capacity	86 Bottles
Drawer Capacity	5.0 cu. ft.
Receptacle	3-prong grounding-type

**DIMENSIONS**



**ELECTRICAL**

**PLUMBING**



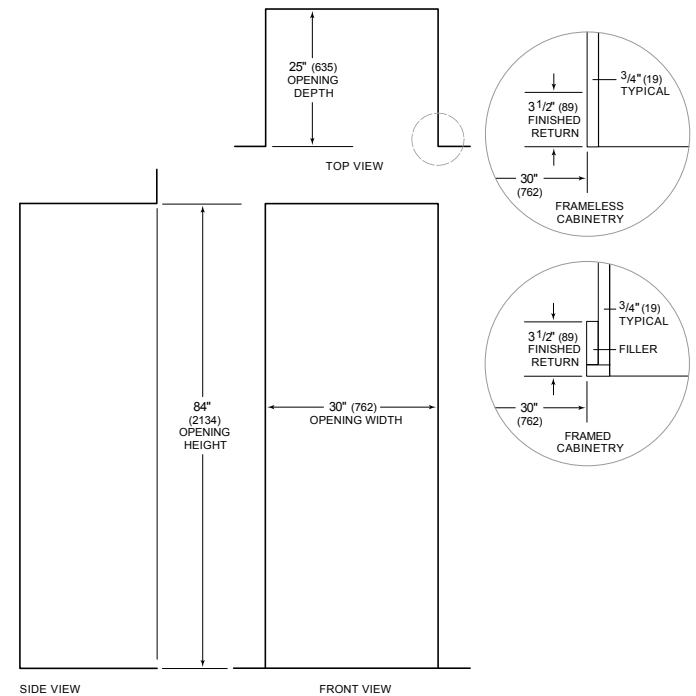
NOTE: Dimensions in parenthesis are in millimeters unless otherwise specified

**INTERIOR VIEW**



This illustration is intended for interior reference only and may not represent the exterior of the model being specified.

**STANDARD INSTALLATION**



NOTE: 3 1/2" (89) finished returns will be visible and should be finished to match cabinetry