

EC2450TE/S

FEATURES

- Intuitive touchscreen
- Save favorites within six independent user profiles
- Easy beverage customization
- Over 15 different beverage options
- Insulated milk container with froth regulator
- Professional-style whole bean burr grinder with stainless steel burrs
- Large water tank
- Height-adjustable, dual dispensing coffee spout
- Cleaning and rinse container
- Storage
- Installation made simple
- Coordinates with other Sub-Zero and Wolf appliances
- Ensured dependability

ACCESSORIES

- Care Kit
- Charcoal Filter
- Descaling Solution
- Insulated Milk Container

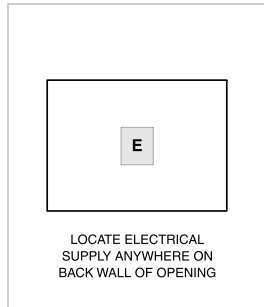
Accessories available through an authorized dealer.
For local dealer information, visit subzero-wolf.com/locator.



PRODUCT SPECIFICATIONS

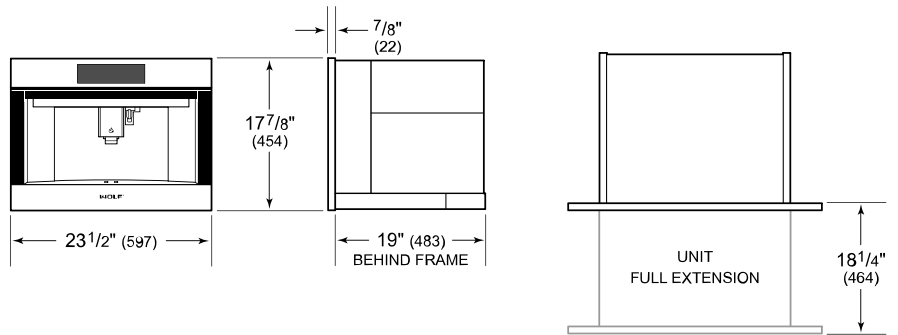
Model	EC2450TE/S
Dimensions	23 1/2"W x 17 7/8"H x 19"D
Weight	67 lbs
Electrical Supply	120 VAC, 60 Hz
Electrical Service	15 amp dedicated circuit
Power Cord Length	6 Feet
Receptacle	3-prong grounding-type

ELECTRICAL

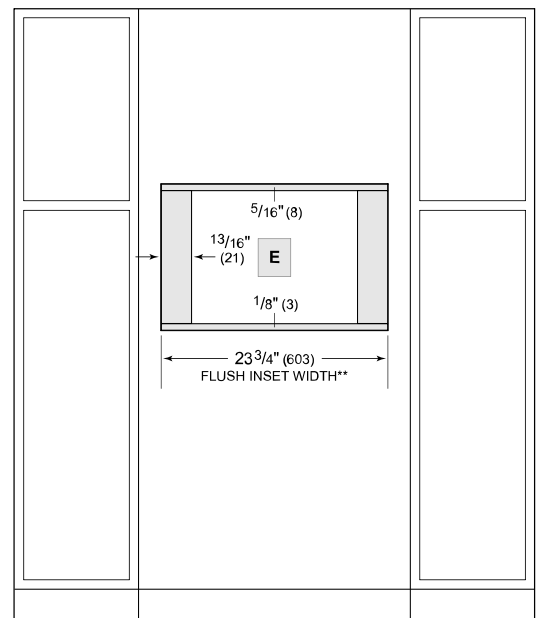
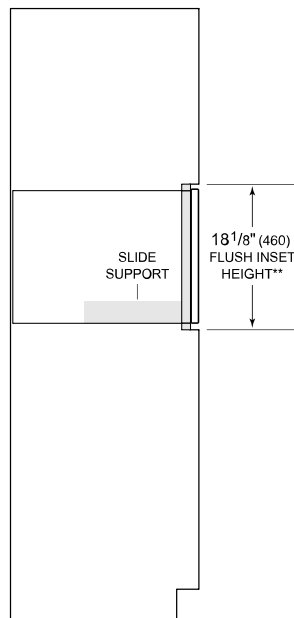
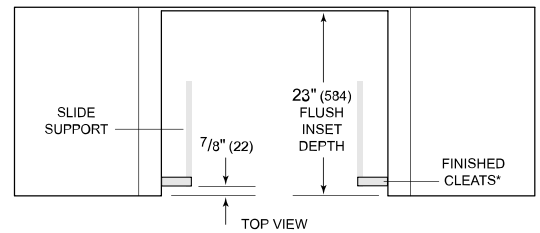


NOTE: Dimensions in parenthesis are in millimeters unless otherwise specified

DIMENSIONS



FLUSH INSTALLATION



SIDE VIEW

FRONT VIEW

*Will be visible and should be finished to match cabinetry.
**Dimension provides minimum reveals.