

EC24/S

FEATURES

Rigorously tested for decades of use

Exceptional support from our Customer Care team in Madison

Built-in burr grinder with 13 grind settings

Auto-descale reminders

Five strength settings

Coffee made to size, from 1 oz. to 12 oz.

Hot water on demand

Make all your favorite coffee drinks

Press Double Coffee button for two identical cups

No plumbing needed

Removable milk carafe for freshness

Uses whole-bean and pre-ground coffee

ACCESSORIES

Care Kit

Descaling Solution

Accessories available through an authorized dealer.

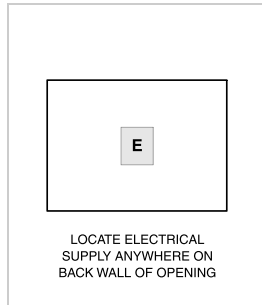
For local dealer information, visit subzero-wolf.com/locator.



PRODUCT SPECIFICATIONS

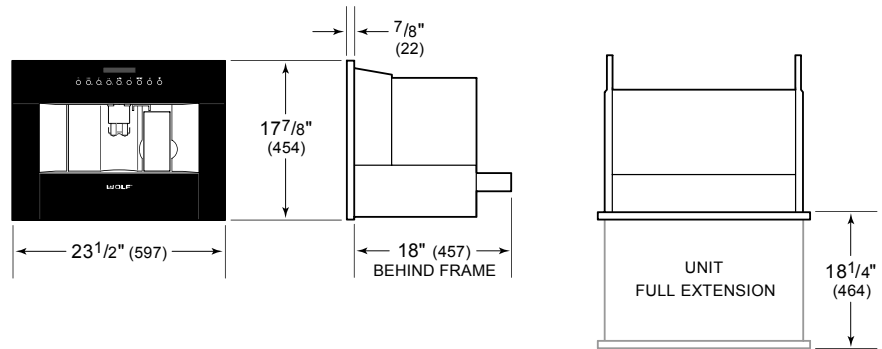
Model	EC24/S
Dimensions	23 1/2"W x 17 7/8"H x 18"D
Weight	80 lbs
Electrical Supply	120 VAC, 60 Hz
Electrical Service	15 amp dedicated circuit
Power Cord Length	6 Feet
Receptacle	3-prong grounding-type

ELECTRICAL



NOTE: Dimensions in parenthesis are in millimeters unless otherwise specified

DIMENSIONS



FLUSH INSTALLATION



*Will be visible and should be finished to match cabinetry.
 **Dimension provides minimum reveals.