

**CSOP3050TE/S/T****FEATURES**

Elegant modern aesthetics

---

Features both plumbed and non-plumbed options

---

Sleek Full-color LCD Touchscreen

---

Save up to 50 personalized favorite recipe presets.

---

11 Cooking Modes

---

1750-watt recessed broil element

---

2.4 cubic-foot oven cavity

---

Three full-extension rack positions and one standard position

---

Large 40-fluid ounce water tank

---

Temperature Probe

---

**ACCESSORIES**

Broiler Rack

---

Descaling Solution

---

Perforated Pan - 12 3/4" x 1 1/2" x 7"

---

Perforated Pan - 24 3/4" x 1 3/8" x 14 1/2"

---

Porcelain Steam Enameled Broil Pan

---

Solid Pan - 12 3/4" x 1 1/2" x 7"

---

Solid Pan - 24 3/4" x 1 3/8" x 14 1/2"

---

Standard Oven Rack

---

Temperature Probe

---

Accessories available through an authorized dealer.

For local dealer information, visit [subzero-wolf.com/locator](https://subzero-wolf.com/locator).

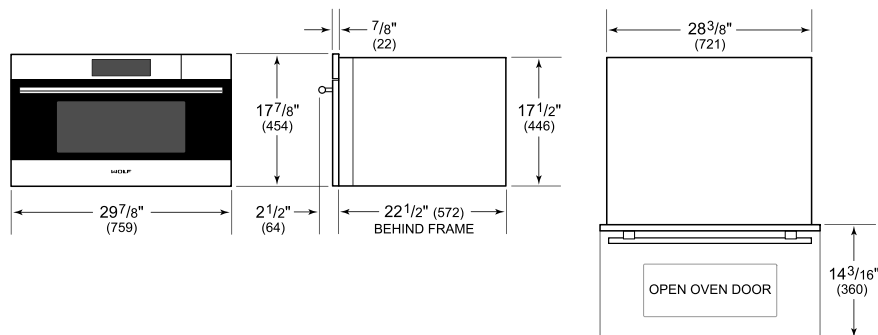




**PRODUCT SPECIFICATIONS**

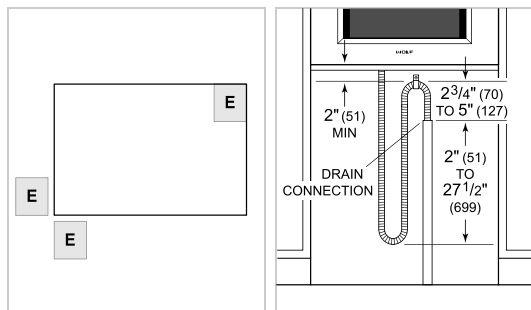
Model	CSOP3050TE/S/T
Dimensions	29 7/8"W x 17 7/8"H x 22 1/2"D
Oven Interior Dimensions	17 1/2"W x 10 3/4"H x 15 1/8"D
Overall Capacity	2.4 cu. ft.
Usable Capacity	1.8 cu. ft.
Door Clearance	14 3/16"
Weight	91 lbs
Electrical Supply	240/208 VAC, 60 Hz
Electrical Service	20 amp dedicated circuit
Plumbing Supply	6.5' (2 m) braided tubing with 3/8" female compression fitting
Plumbing Pressure	15–145 psi
Conduit Length	4 Feet

**DIMENSIONS**



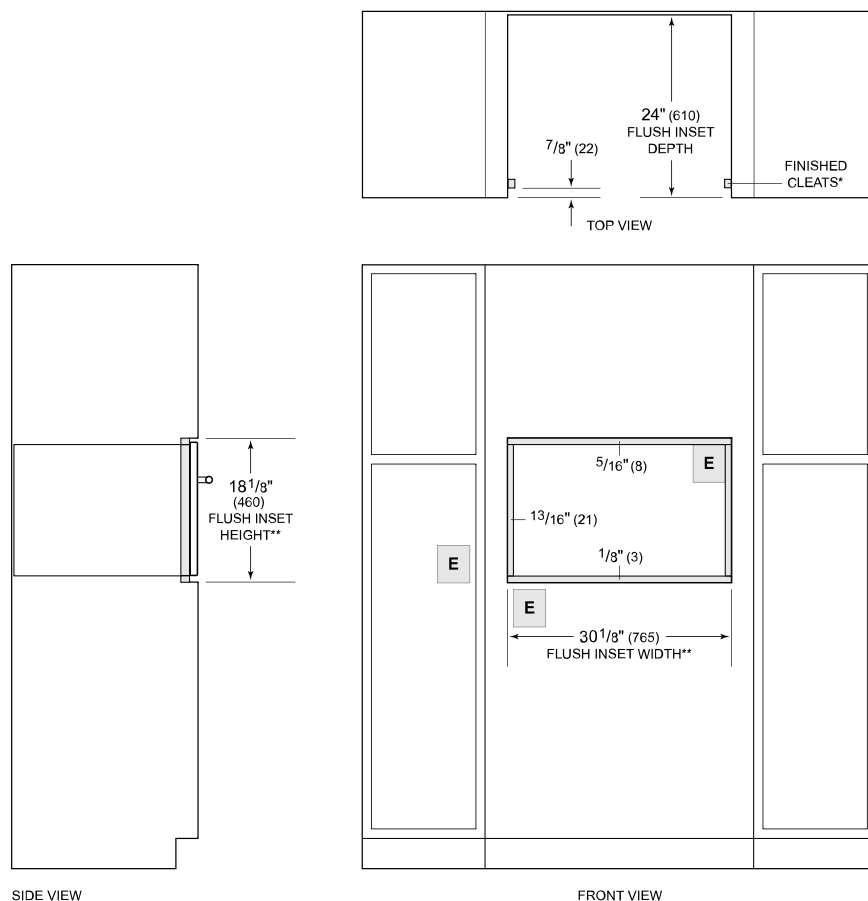
**ELECTRICAL**

**PLUMBING**



**NOTE:** Dimensions in parenthesis are in millimeters unless otherwise specified

**FLUSH INSTALLATION**



\*Will be visible and should be finished to match cabinetry.

\*\*Dimension provides minimum reveals.

**NOTE:** Location of electrical supply within opening may require additional cabinet depth.