

CSO30CM/S

FEATURES

- Rigorously tested for decades of use
- Exceptional support from our Customer Care team in Madison
- Gourmet mode adjusts time, temperature, humidity for perfect results
- Larger than similar units, can make multiple dishes at once
- Program in when you want your dish to be ready
- Easy-access water tank provides 90 minutes of steam cooking
- Temperature probe cooks to ideal doneness and lets you know when it's ready
- Full steam for sous vide and flaky, crispy crusts
- 10 cooking modes make meals easy
- Installs flush with cabinetry or integrated into your kitchen design

ACCESSORIES

- Descaling Solution
- Full Extension Rack Guides
- Oven Rack
- Perforated Pan 12 3/4" x 1 1/2" x 7"
- Perforated Pan 12 3/4" x 2 1/2" x 7"
- Perforated Pan 17 3/4" x 1 1/4" x 15"
- Porcelain Baking Sheet
- Solid Pan 12 3/4" x 1 1/2" x 7"
- Solid Pan 12 3/4" x 1 1/4" x 14"
- Solid Pan 17 3/4" x 1 1/4" x 15"

Accessories available through an authorized dealer.
For local dealer information, visit subzero-wolf.com/locator.



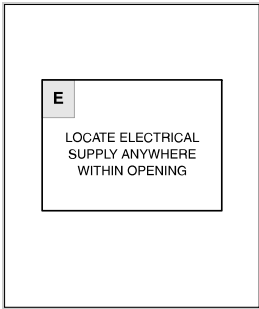
30" M SERIES CONTEMPORARY STAINLESS STEEL CONVECTION STEAM OVEN WITH RETRACTABLE HANDLE



PRODUCT SPECIFICATIONS

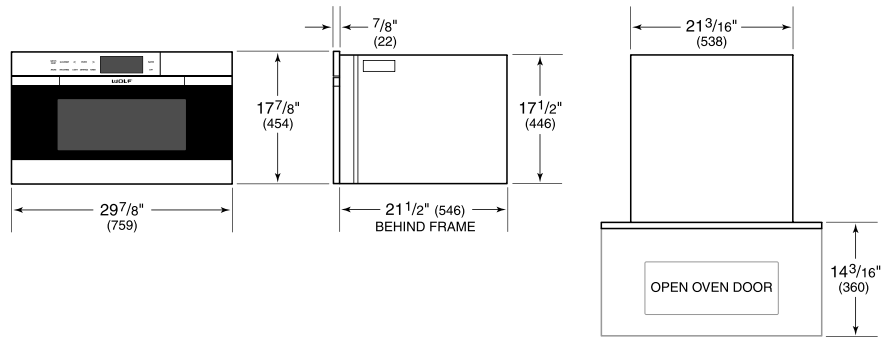
Model	CSO30CM/S
Dimensions	29 7/8"W x 17 7/8"H x 21 1/2"D
Electrical Supply	240/208 VAC, 60 Hz
Electrical Service	20 amp dedicated circuit
Receptacle	NEMA 6-20R grounding-type

ELECTRICAL

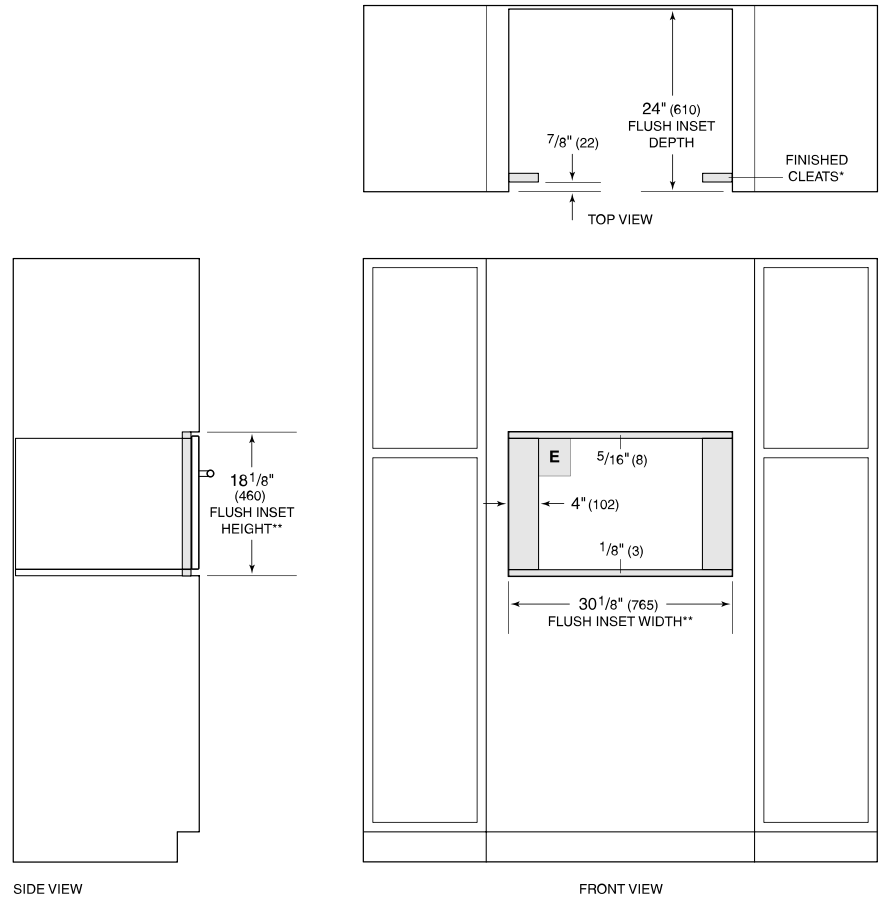


NOTE: Dimensions in parenthesis are in millimeters unless otherwise specified

DIMENSIONS



FLUSH INSTALLATION



*Will be visible and should be finished to match cabinetry.
 **Dimension provides minimum reveals.