

**CSO30PE/S/PH****FEATURES**

Rigorously tested for decades of use

Exceptional support from our Customer Care team in Madison

Gourmet mode adjusts time, temperature, humidity for perfect results

Larger than similar units, can make multiple dishes at once

Program in when you want your dish to be ready

Easy-access water tank provides 90 minutes of steam cooking

Temperature probe cooks to ideal doneness and lets you know when it's ready

Full steam for sous vide and flaky, crispy crusts

10 cooking modes make meals easy

Installs flush with cabinetry or integrated into your kitchen design

**ACCESSORIES**

Descaling Solution

Full Extension Rack Guides

Oven Rack

Perforated Pan 12 3/4" x 1 1/2" x 7"

Perforated Pan 12 3/4" x 2 1/2" x 7"

Perforated Pan 17 3/4" x 1 1/4" x 15"

Porcelain Baking Sheet

Solid Pan 12 3/4" x 1 1/2" x 7"

Solid Pan 12 3/4" x 1 1/4" x 14"

Solid Pan 17 3/4" x 1 1/4" x 15"

Accessories available through an authorized dealer.

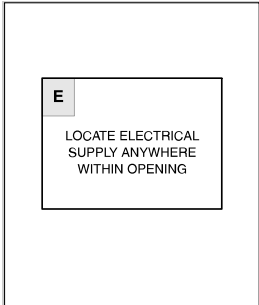
For local dealer information, visit [subzero-wolf.com/locator](http://subzero-wolf.com/locator).



**PRODUCT-SPECIFICATIONS**

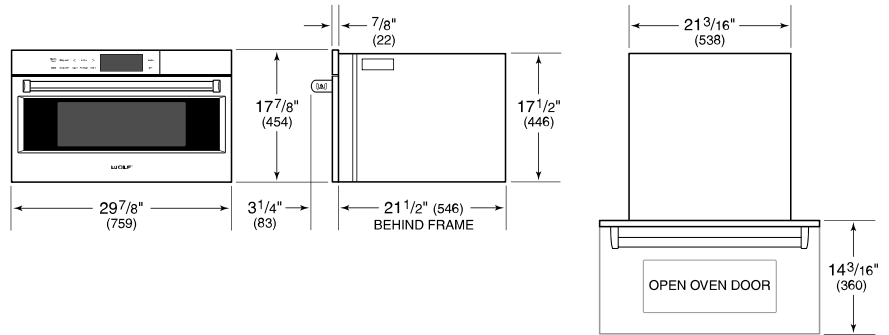
model	CSO30PE/S/PH
dimensions	29 7/8"W x 17 7/8"H x 21 1/2"D
electrical-supply	240/208 VAC, 60 Hz
electrical-service	20 amp dedicated circuit
receptacle	NEMA 6-20R grounding-type

**ELECTRICAL**

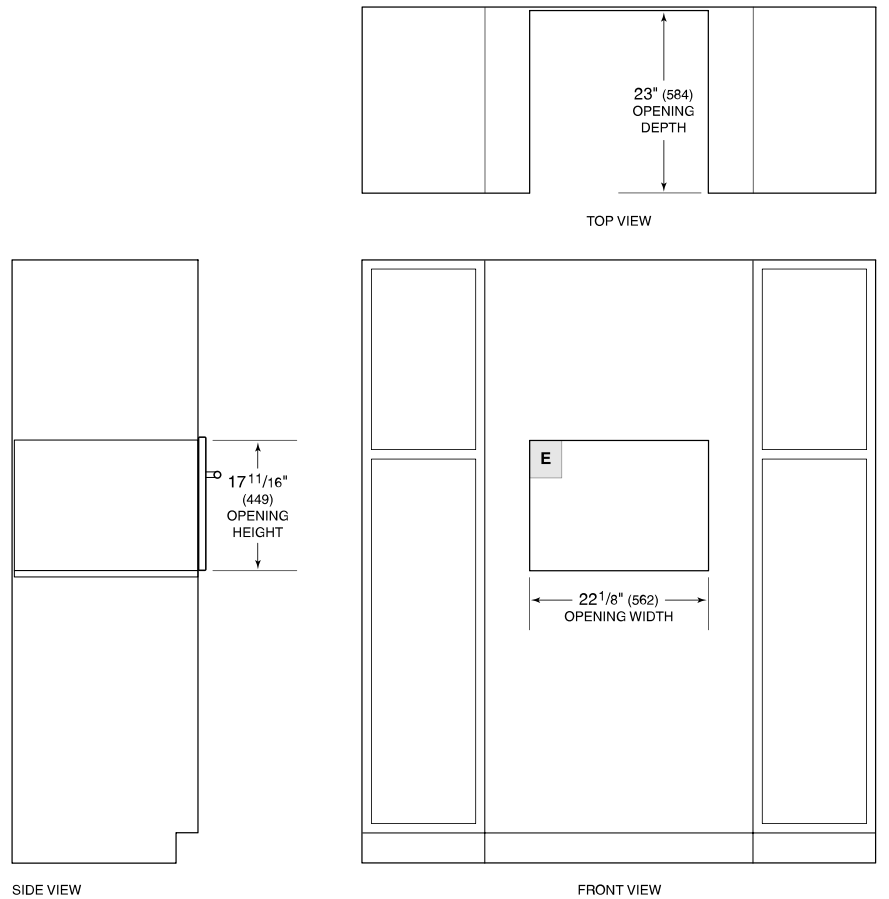


**NOTE:** Dimensions in parenthesis are in millimeters unless otherwise specified

**DIMENSIONS**



**STANDARD INSTALLATION**



**NOTE:** 24" (610) and 30" (762) models require the same opening dimensions.