

SO2450TE/S/T



FEATURES

Elegant modern aesthetics

Sleek Full-color LCD Touchscreen

Save up to 50 favorite recipe presets

Three full-extension rack positions and one standard position

12 Cooking Modes

1750-watt recessed broil element

1.8 cubic-foot interior

New controls offer language translations

Temperature Probe

ACCESSORIES

Broiler Rack

Porcelain Steam Enameled Broil Pan

Pro Handle

Solid Pan - 12 3/4" x 1 1/2" x 7"

Solid Pan - 17 3/4" x 1 1/4" x 15"

Standard Oven Rack

Temperature Probe

Accessories available through an authorized dealer.

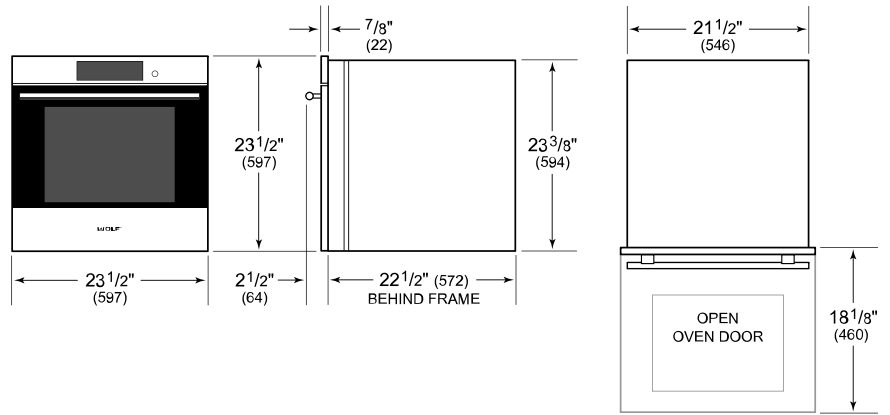
For local dealer information, visit [subzero-wolf.com/locator](https://www.subzero-wolf.com/locator).



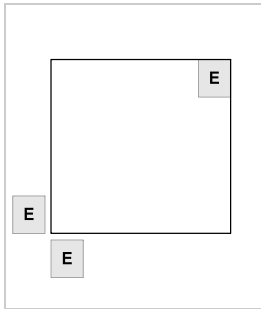
PRODUCT SPECIFICATIONS

Model	SO2450TE/S/T
Dimensions	23 1/2"W x 23 1/2"H x 22 1/2"D
Oven 1 Interior Dimensions	18"W x 15 1/2"H x 15 1/8"D
Overall Capacity	2.4 cu. ft.
Usable Capacity	1.8 cu. ft.
Door Clearance	18 1/8"
Weight	119 lbs
Electrical Supply	240/208 VAC, 60 Hz
Electrical Service	20 amp dedicated circuit
Conduit Length	4 Feet

DIMENSIONS

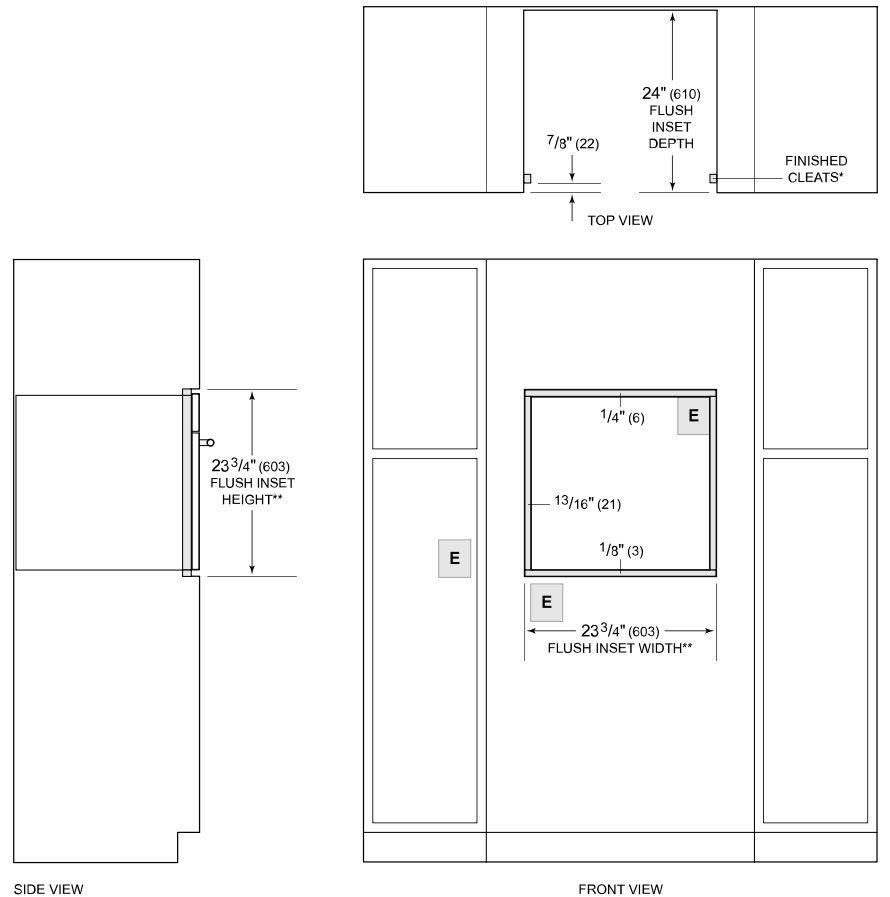


ELECTRICAL



NOTE: Dimensions in parenthesis are in millimeters unless otherwise specified

FLUSH INSTALLATION



*Will be visible and should be finished to match cabinetry.
 **Dimension provides minimum reveals.
 NOTE: Location of electrical supply within opening may require additional cabinet depth.