

## CE304C/B

### FEATURES

Rigorously tested for decades of use

Exceptional support from our Customer Care team in Madison

True simmer setting for soups, sauces and more

Super-low Melt setting for fine chocolate and other delicate foods

High-frequency pulsation technology for superior performance and control

Automatic timer up to 99 minutes

Four elements, seven zones accommodate different pan sizes

Ceran ceramic glass resists scratching, staining, impact and heat

Can be mounted flush with countertop

Trimless design matches Wolf contemporary products

Illuminated touch controls

Temperature limiter ensures that safe operating temps are never exceeded

Universal "off" turns all elements off

Control panel lock for safety



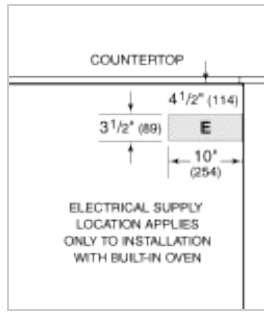
### COOKTOP SPECIFICATIONS

- 1 - 1050/1950/2700 W Element
- 2 - 1200 W Elements
- 1 - 2400 W Element With Oval

**PRODUCT SPECIFICATIONS**

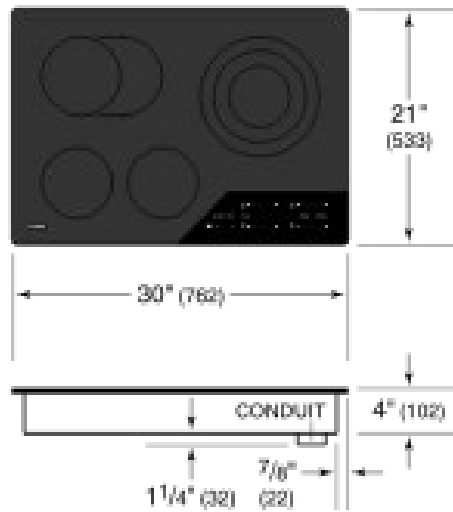
Model	CE304C/B
Dimensions	30"W x 4"H x 21"D
Weight	45 lbs
Electrical Supply	3-wire, 240 VAC, 60 Hz
Electrical Service	40 amp dedicated circuit
Conduit Length	4 Feet

**ELECTRICAL**

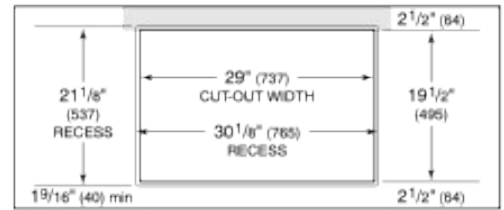
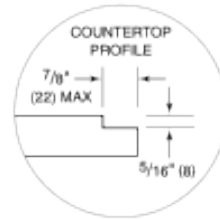


NOTE: Dimensions in parenthesis are in millimeters unless otherwise specified

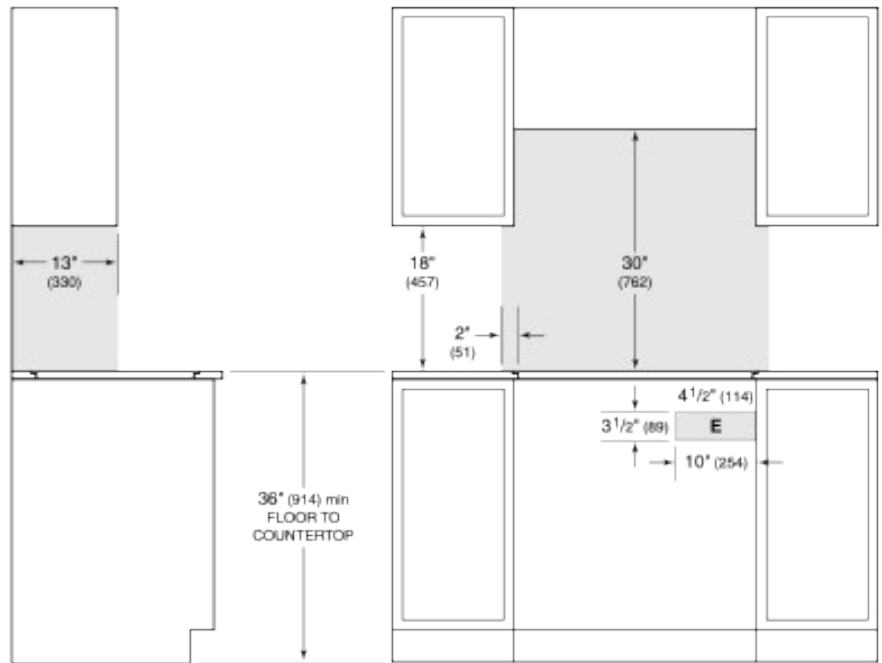
**DIMENSIONS**



**FLUSH INSTALLATION**



COUNTERTOP CUT-OUT



SIDE VIEW

FRONT VIEW

NOTE: Shaded area above countertop indicates minimum clearance to combustible surfaces, combustible materials cannot be located within this area. Electrical supply location only applies to installations with built-in oven. Outside corner radius 7/16" (11).