

CE304C/B

FEATURES

- Rigorously tested for decades of use
- Exceptional support from our Customer Care team in Madison
- True simmer setting for soups, sauces and more
- Super-low Melt setting for fine chocolate and other delicate foods
- High-frequency pulsation technology for superior performance and control
- Automatic timer up to 99 minutes
- Four elements, seven zones accommodate different pan sizes
- Ceran ceramic glass resists scratching, staining, impact and heat
- Can be mounted flush with countertop
- Trimless design matches Wolf contemporary products
- Illuminated touch controls
- Temperature limiter ensures that safe operating temps are never exceeded
- Universal "off" turns all elements off
- Control panel lock for safety



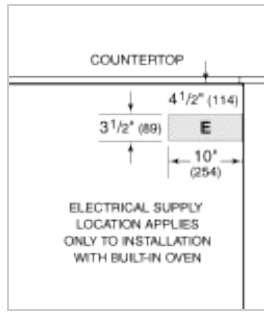
COOKTOP SPECIFICATIONS

- 1 - 1050/1950/2700 W Element
- 2 - 1200 W Elements
- 1 - 2400 W Element With Oval

PRODUCT SPECIFICATIONS

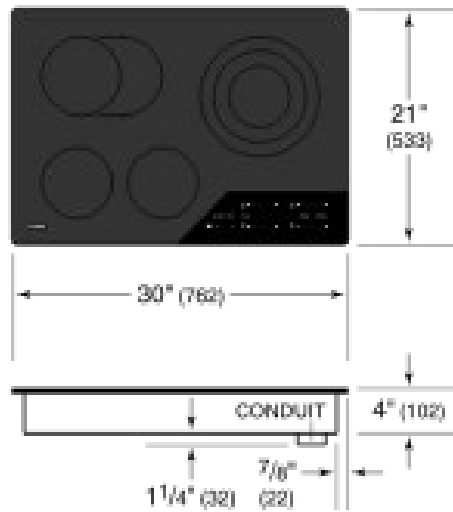
Model	CE304C/B
Dimensions	30"W x 4"H x 21"D
Weight	45 lbs
Electrical Supply	3-wire, 240 VAC, 60 Hz
Electrical Service	40 amp dedicated circuit
Conduit Length	4 Feet

ELECTRICAL

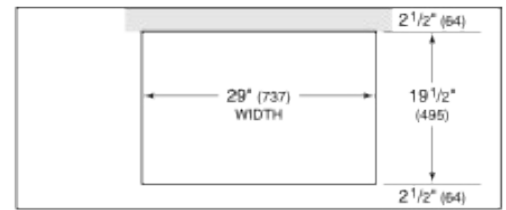


NOTE: Dimensions in parenthesis are in millimeters unless otherwise specified

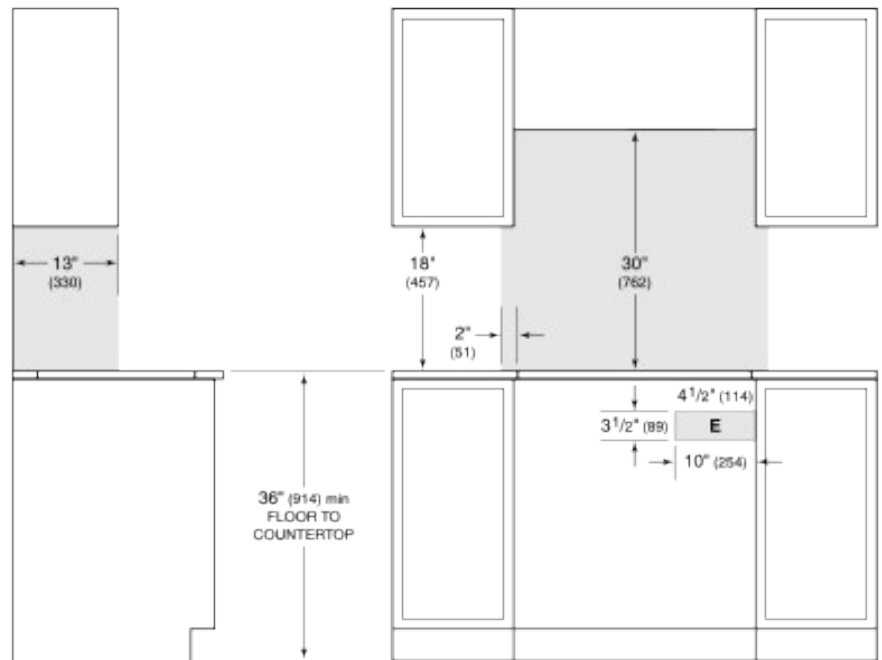
DIMENSIONS



STANDARD INSTALLATION



COUNTERTOP CUT-OUT



SIDE VIEW

FRONT VIEW

NOTE: Shaded area above countertop indicates minimum clearance to combustible surfaces, combustible materials cannot be located within this area. Electrical supply location only applies to installations with built-in oven.