

CE365T/S



## FEATURES

Rigorously tested for decades of use

Exceptional support from our Customer Care team in Madison

True simmer setting for soups, sauces and more

Super-low Melt setting for fine chocolate and other delicate foods

High-frequency pulsation technology for superior performance and control

Automatic timer up to 99 minutes

Five elements, nine zones accommodate different pan sizes

Bridge zone creates larger 7"x16" cooking area

Ceran ceramic glass resists scratching, staining, impact and heat

Illuminated touch controls

Temperature limiter ensures that safe operating temps are never exceeded

Universal "off" turns all elements off

Control panel lock for safety

Illuminated touch controls



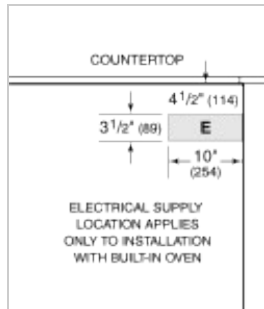
## COOKTOP SPECIFICATIONS

- 1 - 1050/1950/2700 W Element
- 1 - 700/2200 W Element
- 1 - 1200 W Element
- 2 - 1800 W Elements With Bridge

**PRODUCT SPECIFICATIONS**

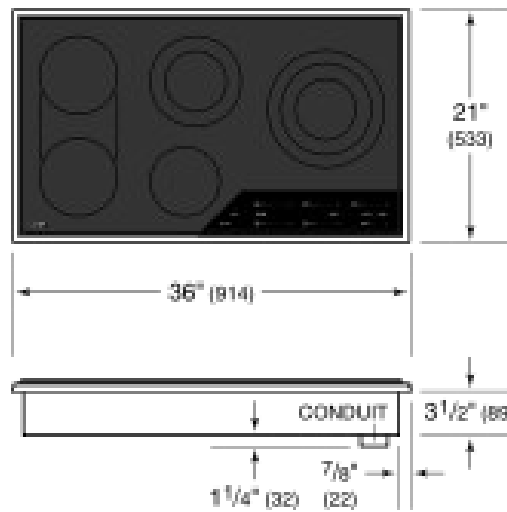
Model	CE365T/S
Dimensions	36"W x 3 1/2"H x 21"D
Weight	60 lbs
Electrical Supply	3-wire, 240 VAC, 60 Hz
Electrical Service	50 amp dedicated circuit
Conduit Length	4 Feet

**ELECTRICAL**

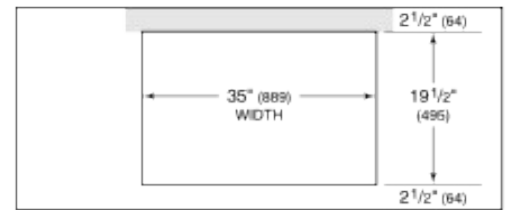


**NOTE:** Dimensions in parenthesis are in millimeters unless otherwise specified

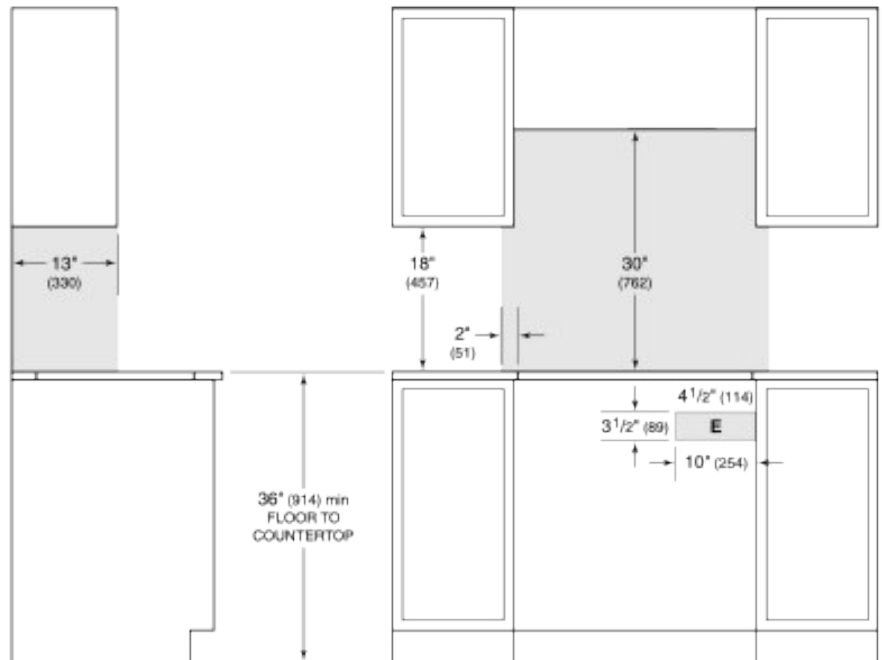
**DIMENSIONS**



**STANDARD INSTALLATION**



COUNTERTOP CUT-OUT



SIDE VIEW

FRONT VIEW

**NOTE:** Shaded area above countertop indicates minimum clearance to combustible surfaces, combustible materials cannot be located within this area. Electrical supply location only applies to installations with built-in oven.