

CG304P/S



## FEATURES

Maintain control with dual-stacked burners that go from 18,000 Btu down to a mere breath of flame

Simmer and melt sauces, soups, and marinades easily with the lower tier of the dual-stacked burner

Matches the professional look of other Sub-Zero, Wolf, and Cove products

Reignites flame automatically with spark ignition system

Cleanup is a snap as sealed, seamless burner pans contain splashes and spills

Move pots and pans effortlessly across the continuous cast-iron grates

## ACCESSORIES

2-Burner Wok Grate

30" Professional Gas Cooktop Brushed Brass Bezel Kit

30" Transitional Grate Set

Transitional Grates

Red, black, brushed stainless, brushed brass, and brushed gray knob kits

High altitude conversion kits available

Red, black, brushed stainless, brushed brass, and brushed gray knob kits

Accessories available through an authorized dealer.  
For local dealer information, visit [subzero-wolf.com/locator](https://subzero-wolf.com/locator).



## KNOB OPTIONS



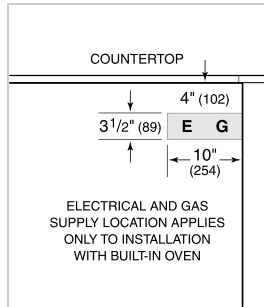
## COOKTOP SPECIFICATIONS

- 2 - 9,200 Btu Burner
- 1 - 12,000 Btu Burner
- 1 - 18,000 Btu Burner

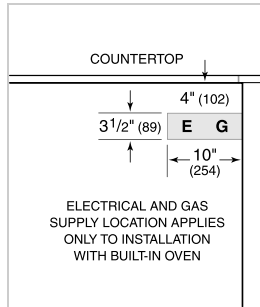
**PRODUCT SPECIFICATIONS**

|                    |                          |
|--------------------|--------------------------|
| Model              | CG304P/S                 |
| Dimensions         | 30"W x 4"H x 21"D        |
| Weight             | 57 lbs                   |
| Electrical Supply  | 120 VAC, 60 Hz           |
| Electrical Service | 15 amp dedicated circuit |
| Gas Supply         | 3/4" ID line             |
| Gas Inlet          | 1/2" NPT female          |

**ELECTRICAL**

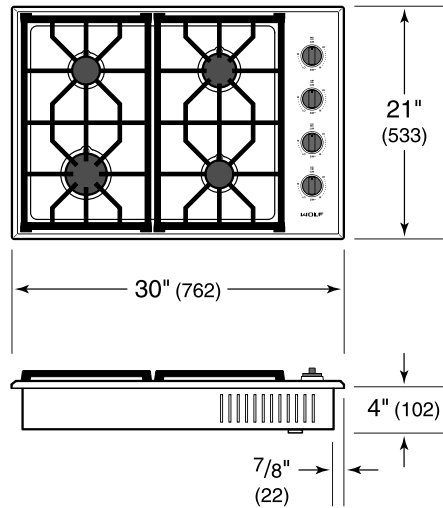


**GAS**

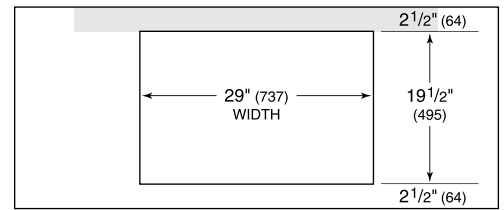


**NOTE:** Dimensions in parenthesis are in millimeters unless otherwise specified

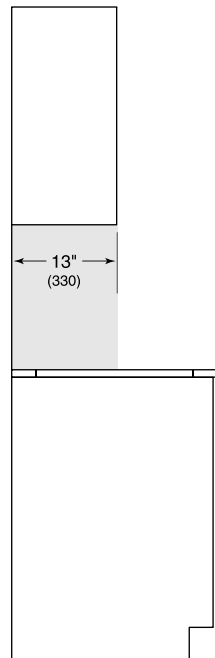
**DIMENSIONS**



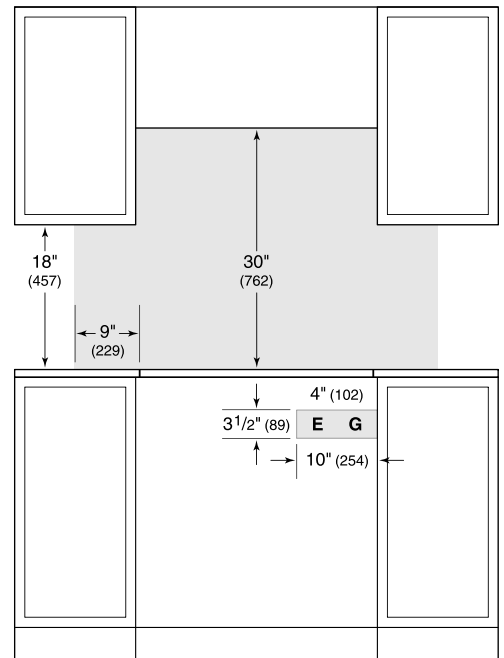
**STANDARD INSTALLATION**



COUNTERTOP CUT-OUT



SIDE VIEW



FRONT VIEW

**NOTE:** Shaded area above countertop indicates minimum clearance to combustible surfaces, combustible materials cannot be located within this area. Electrical and gas supply location only applies to installations with built-in oven.