

CG304T/S



## FEATURES

Rigorously tested for decades of use

Exceptional support from our Customer Care team in Madison

Spark ignition system re-ignites if flame goes out

Lower tier of dual-stacked burner lets you simmer and melt

Easy-clean seamless burner pan

Stylish stainless control knobs capped in black

Continuous cast-iron grates for easy movement of pots and pans

Dual-stacked burners go from 18,000 Btu down to a mere breath of flame

## ACCESSORIES

2-Burner Wok Grate

30" Professional Grate Set

High altitude conversion kit

Accessories available through an authorized dealer.

For local dealer information, visit [subzero-wolf.com/locator](https://subzero-wolf.com/locator).



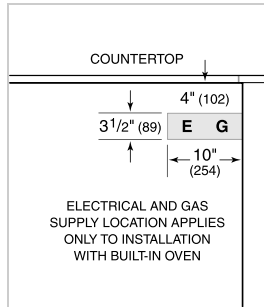
## COOKTOP SPECIFICATIONS

- 2 - 9,200 Btu Burner
- 1 - 12,000 Btu Burner
- 1 - 18,000 Btu Burner

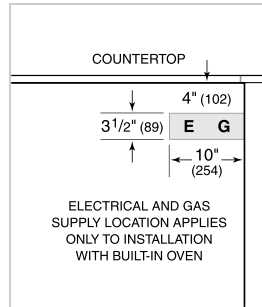
**PRODUCT SPECIFICATIONS**

|                    |                          |
|--------------------|--------------------------|
| Model              | CG304T/S                 |
| Dimensions         | 30"W x 4"H x 21"D        |
| Weight             | 50 lbs                   |
| Electrical Supply  | 120 VAC, 60 Hz           |
| Electrical Service | 15 amp dedicated circuit |
| Gas Supply         | 3/4" ID line             |
| Gas Inlet          | 1/2" NPT female          |

**ELECTRICAL**

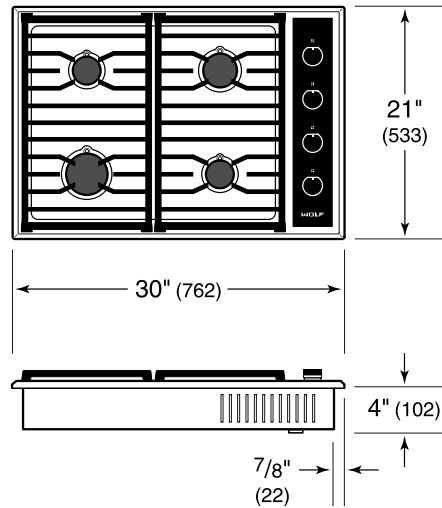


**GAS**

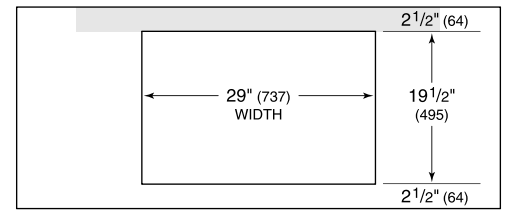


**NOTE:** Dimensions in parenthesis are in millimeters unless otherwise specified

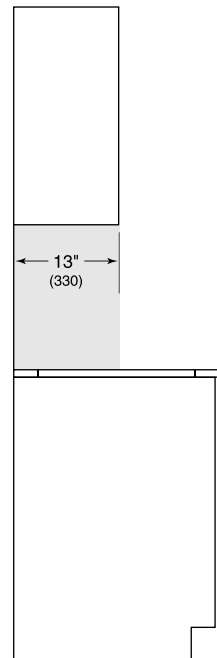
**DIMENSIONS**



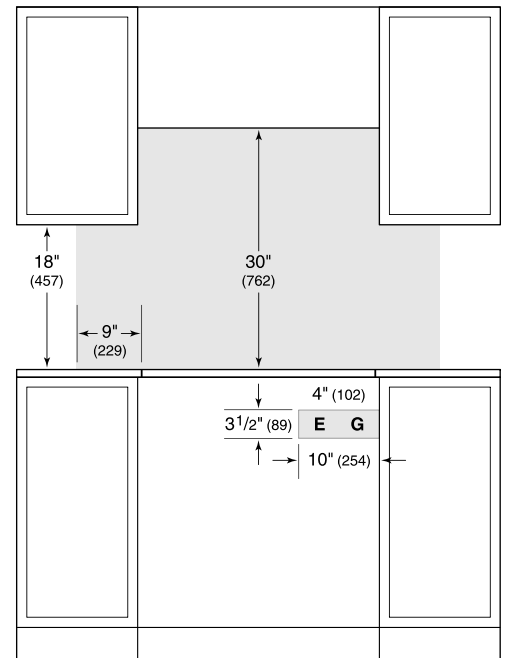
**STANDARD INSTALLATION**



COUNTERTOP CUT-OUT



SIDE VIEW



FRONT VIEW

**NOTE:** Shaded area above countertop indicates minimum clearance to combustible surfaces, combustible materials cannot be located within this area. Electrical and gas supply location only applies to installations with built-in oven.