

CG365C/S



FEATURES

Rigorously tested for decades of use

Exceptional support from our Customer Care team in Madison

Spark ignition system re-ignites if flame goes out

Lower tier of dual-stacked burner lets you simmer and melt

Easy-clean seamless burner pan

20,000 Btu burner for faster boils

Continuous cast-iron grates for easy movement of pots and pans

Illuminated control knobs

Stunning minimalist design sits virtually flush to countertop

Dual-stacked, sealed burners for higher highs, lower lows

ACCESSORIES

Center burner wok grate

High altitude conversion kit

Signature red, black or brushed stainless control knobs

Accessories available through an authorized dealer.

For local dealer information, visit [subzero-wolf.com/locator](https://www.subzero-wolf.com/locator).



KNOB OPTIONS



COOKTOP SPECIFICATIONS

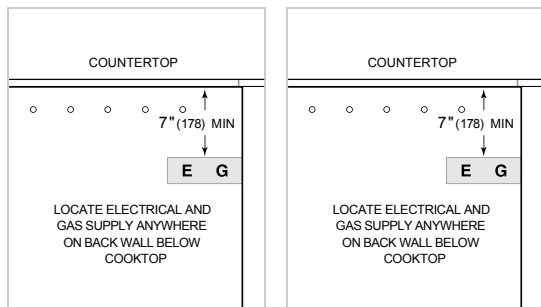
- 2 - 9,200 Btu Burner
- 2 - 12,000 Btu Burner
- 1 - 20,000 Btu Burner

PRODUCT SPECIFICATIONS

Model	CG365C/S
Dimensions	36"W x 6 3/4"H x 21"D
Weight	100 lbs
Electrical Supply	120 VAC, 60 Hz
Electrical Service	15 amp dedicated circuit
Gas Supply	3/4" ID line
Gas Inlet	1/2" NPT female

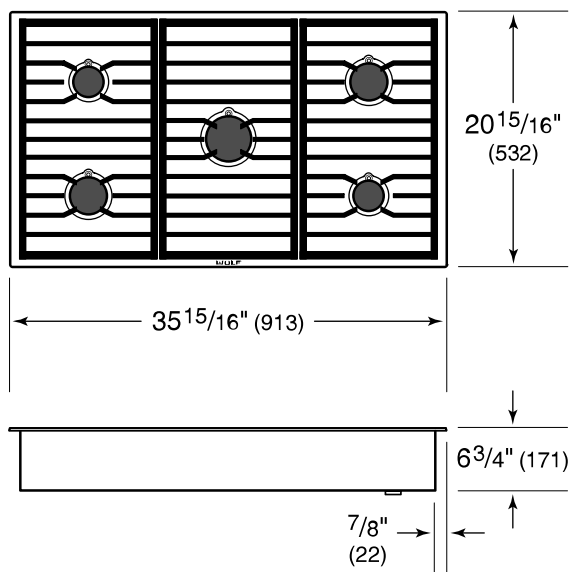
ELECTRICAL

GAS

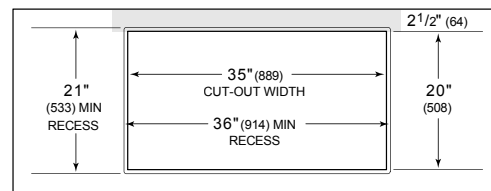
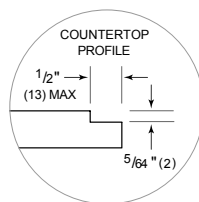


NOTE: Dimensions in parenthesis are in millimeters unless otherwise specified

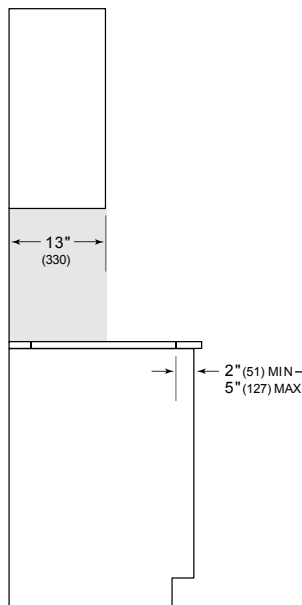
DIMENSIONS



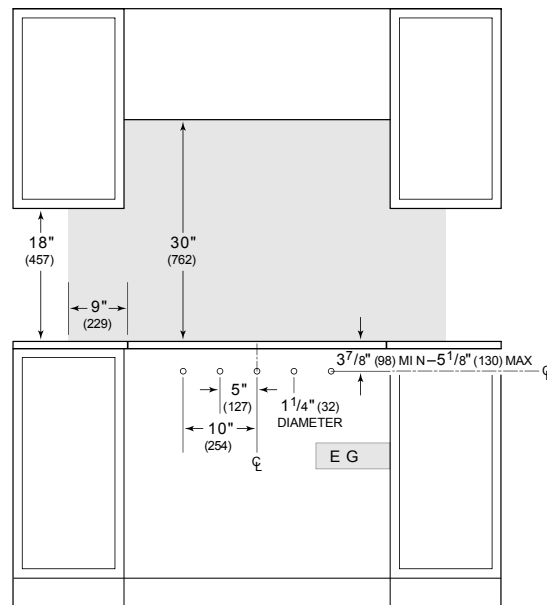
FLUSH INSTALLATION



COUNTERTOP CUT-OUT



SIDE VIEW



FRONT VIEW

NOTE: Shaded area above countertop indicates minimum clearance to combustible surfaces, combustible materials cannot be located within this area.
 Maximum facade thickness (25). 1" (25) thickness extends 1 7/8" (45) left and right and 2 1/2" (64) above and below centerlines.
 Outside corner radius 3/8" (10).