

**CI365C/B****FEATURES**

Five elements and five bridging options accommodate widest possible variety of pan sizes

40% faster temperature response than gas or electric

Can be installed flush with countertop for smooth, continuous surface

Efficiently transfers heat, because energy is supplied directly to the cookware

Incredible cooking control, with lightning fast high heat and very low lows

Magnetic induction technology provides fast and perfectly distributed heat

Rigorously tested in our U.S. manufacturing facilities for decades of use

Exceptional 24/7 support from our Customer Care team in Madison

Cooktop stays relatively cool for added safety and easy cleanup

Cookware sensing guards against hot burners being left on

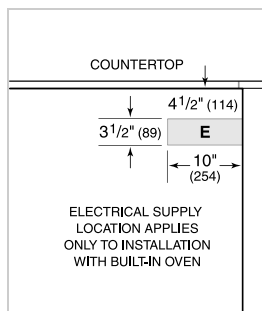
**COOKTOP SPECIFICATIONS**

- 2 - 2100 W Element
- 2 - 2100 W Element with 3000 W Boost
- 1 - 2600 W Element with 3700 W Boost

**PRODUCT SPECIFICATIONS**

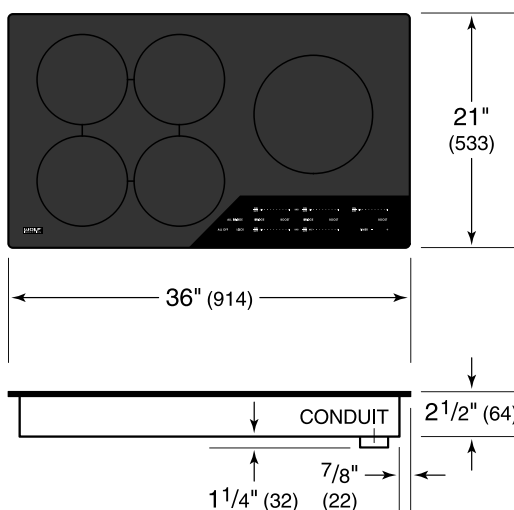
|                    |                            |
|--------------------|----------------------------|
| Model              | CI365C/B                   |
| Dimensions         | 36"W x 2 1/2"H x 21"D      |
| Weight             | 61 lbs                     |
| Electrical Supply  | 3-wire, 240/208 VAC, 60 Hz |
| Electrical Service | 50 amp dedicated circuit   |
| Conduit Length     | 4 Feet                     |

**ELECTRICAL**

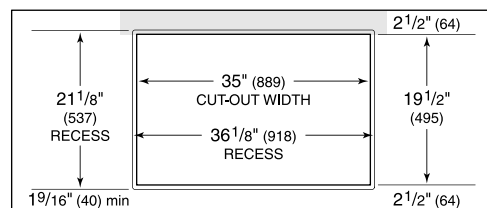
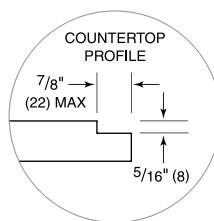


**NOTE:** Dimensions in parenthesis are in millimeters unless otherwise specified

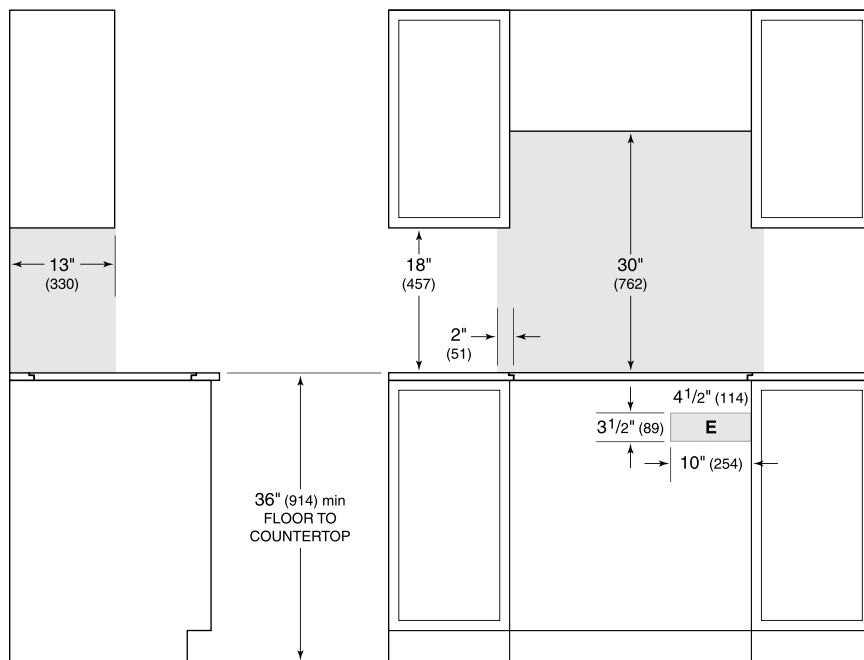
**DIMENSIONS**



**FLUSH INSTALLATION**



COUNTERTOP CUT-OUT



SIDE VIEW

FRONT VIEW

**NOTE:** Shaded area above countertop indicates minimum clearance to combustible surfaces, combustible materials cannot be located within this area. Electrical supply location only applies to installations with built-in oven. Outside corner radius 7/16" (11).