

SO36U/S



FEATURES

- 10 cooking modes make meals easy
- Cobalt blue porcelain interior
- Self clean, delayed start, timed cook, Sabbath mode and more
- Dual convection oven for faster, more consistent cooking
- Rotating control panel disappears when not in use
- Temperature probe cooks to ideal doneness and lets you know when it's ready
- Heavy-gauge stainless steel
- Rigorously tested for decades of use
- Exceptional support from our Customer Care team in Madison

ACCESSORIES

- 30" Broiler Pan
- 36" Bake Stone Kit
- Dehydration Kit
- Temperature Probe
- Full-extension easy glide oven rack
- Set of two standard oven racks

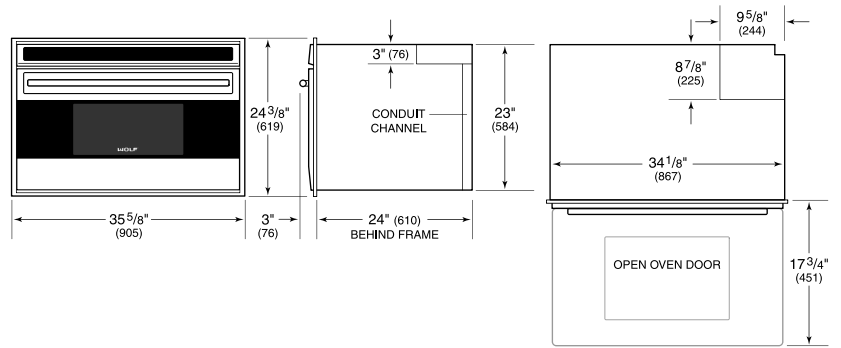
Accessories available through an authorized dealer.
For local dealer information, visit subzero-wolf.com/locator.



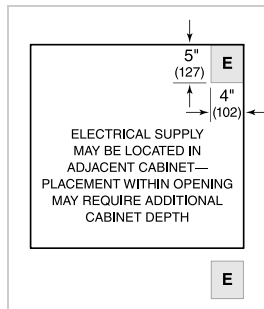
PRODUCT SPECIFICATIONS

Model	SO36U/S
Dimensions	35 5/8"W x 24 3/8"H x 24"D
Oven 1 Interior Dimensions	30"W x 13 1/4"H x 19"D
Overall Capacity	4.4 cu. ft.
Usable Capacity	2.7 cu. ft.
Door Clearance	17 3/4"
Weight	288 lbs
Electrical Supply	240/208 VAC, 60 Hz
Electrical Service	30 amp circuit
Conduit Length	4 Feet

DIMENSIONS

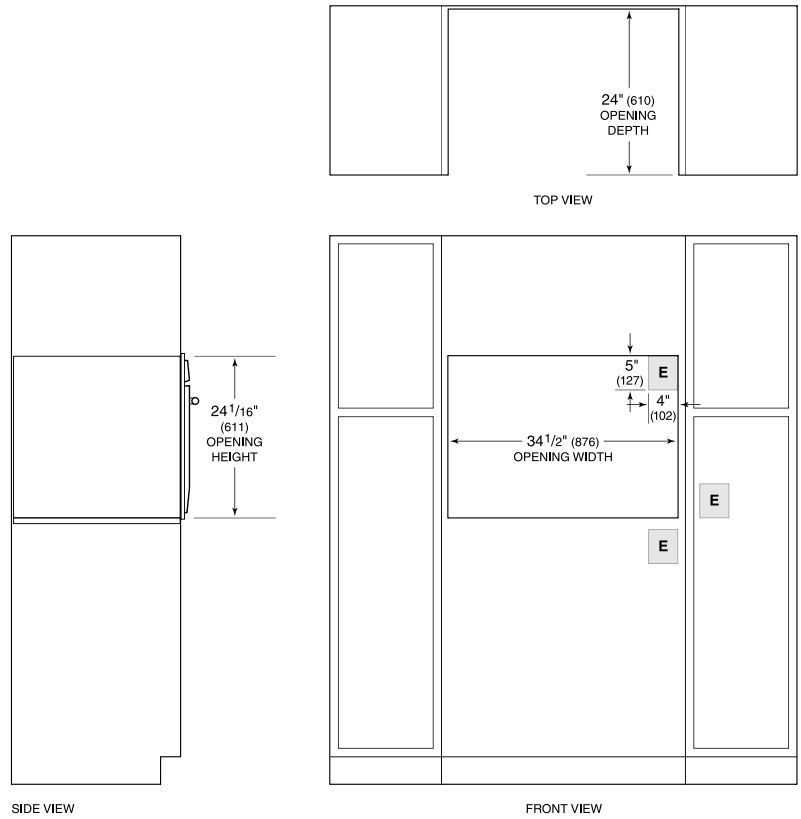


ELECTRICAL



NOTE: Dimensions in parenthesis are in millimeters unless otherwise specified

STANDARD INSTALLATION



NOTE: Location of electrical supply within opening may require additional cabinet depth.