

### MD24TE/S

#### FEATURES

Utilize 950 watts of power to cook meals with delicious results

Select from 10 power levels, a warming mode, and sensor cooking

Let the microwave do the cooking with intuitive Gourmet Mode settings

Fits a 9x13 pan and up to a 7" tall glass or dish for additional cooking flexibility

Install into surrounding cabinetry to coordinate with other Wolf built-in ovens and warming drawers

Installs can be lowered due to control panel lock providing extra safety

#### ACCESSORIES

Flush Inset Vent

Accessories available through an authorized dealer.

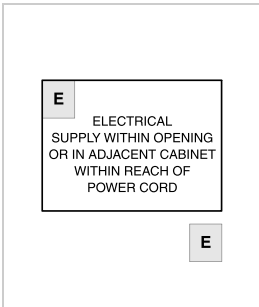
For local dealer information, visit [subzero-wolf.com/locator](https://subzero-wolf.com/locator).



**PRODUCT SPECIFICATIONS**

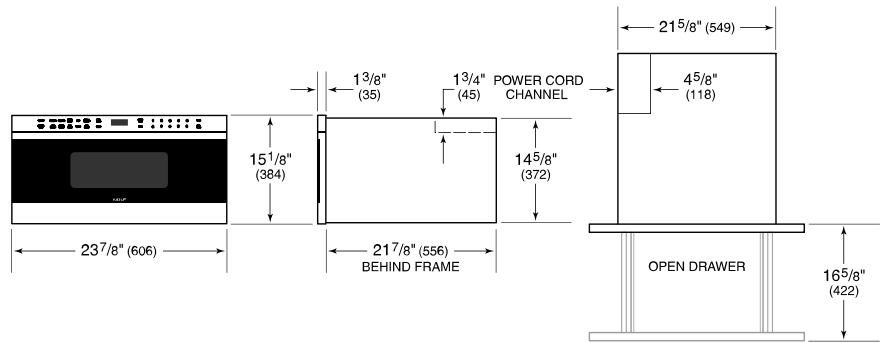
Model	MD24TE/S
Dimensions	23 7/8"W x 15 1/8"H x 21 7/8"D
Capacity	1.2 cu. ft.
Weight	99 lbs
Electrical Supply	120 VAC, 60 Hz
Electrical Service	15 amp dedicated circuit
Power Cord Length	4 Feet
Receptacle	3-prong grounding-type

**ELECTRICAL**

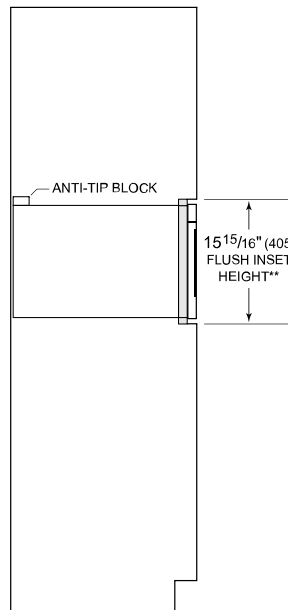
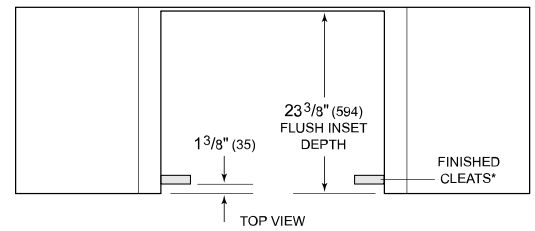


**NOTE:** Dimensions in parenthesis are in millimeters unless otherwise specified

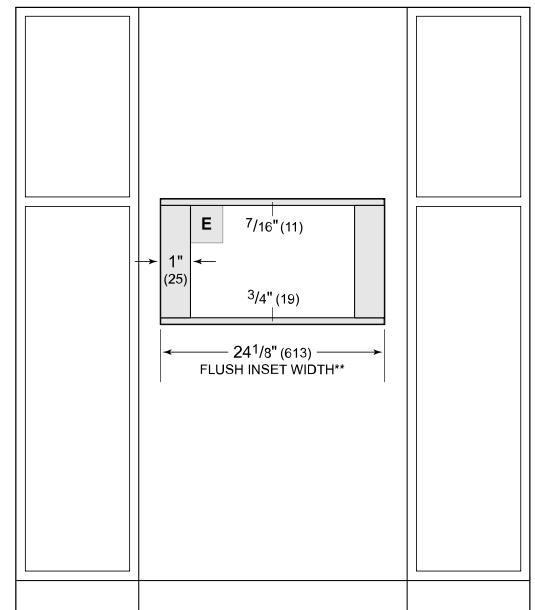
**DIMENSIONS**



**FLUSH INSTALLATION**



SIDE VIEW



FRONT VIEW

\*Will be visible and should be finished to match cabinetry.  
 \*\*Dimension provides minimum reveals.