

**MD30PE/S**

**FEATURES**

Rigorously tested for decades of use

Exceptional support from our Customer Care team in Madison

20% larger interior capacity

Installs standard or flush inset

Classic stainless steel

10 power levels and sensor cooking for easy meals

Control panel lock

"Keep Warm" mode

**ACCESSORIES**

Flush Inset Vent

Accessories available through an authorized dealer.

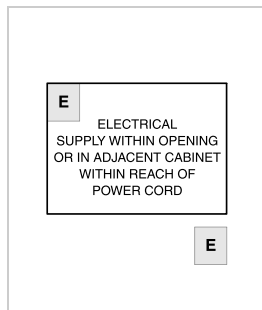
For local dealer information, visit [subzero-wolf.com/locator](http://subzero-wolf.com/locator).



**PRODUCT SPECIFICATIONS**

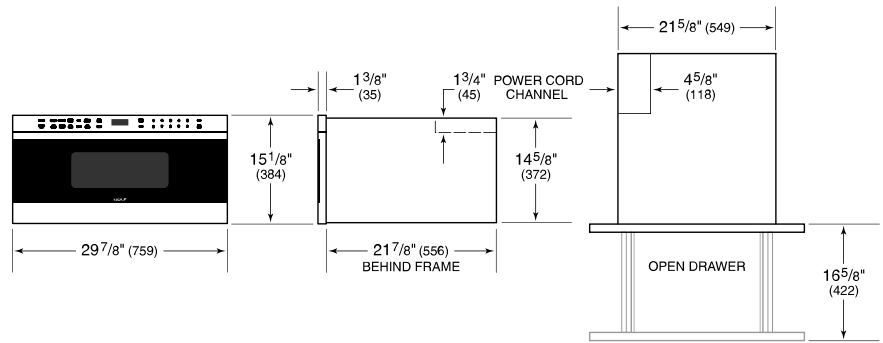
Model	MD30PE/S
Dimensions	29 7/8"W x 15 1/8"H x 21 7/8"D
Capacity	1.2 cu. ft.
Weight	96 lbs
Electrical Supply	120 VAC, 60 Hz
Electrical Service	15 amp dedicated circuit
Power Cord Length	4 Feet
Receptacle	3-prong grounding-type

**ELECTRICAL**



**NOTE:** Dimensions in parenthesis are in millimeters unless otherwise specified

**DIMENSIONS**



**STANDARD INSTALLATION**

