

MDD24TE/S/TH

**FEATURES**

Rigorously tested for decades of use

Exceptional support from our Customer Care team in Madison

Integrates into any kitchen

Matches E series ovens, coffee systems, convection steam oven

900 watts of power

Generous 1.6. cu. ft. capacity

Quick-start controls for popular items

Gourmet mode cooks automatically from preset recipes

"Keep Warm" mode

**ACCESSORIES**

Convection Steam Oven-24" Pro Handle

Pro Handle

Accessories available through an authorized dealer.

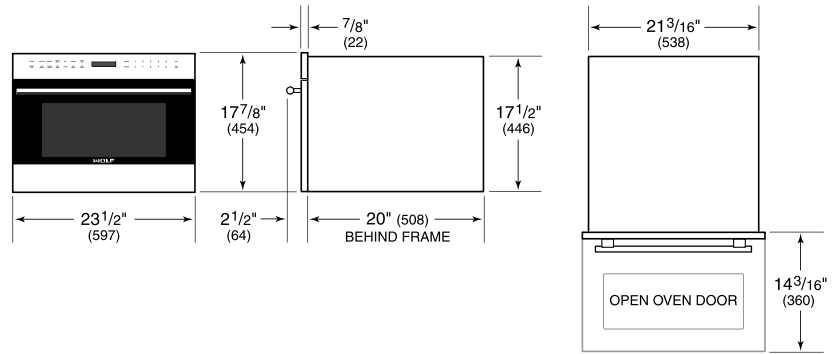
For local dealer information, visit [subzero-wolf.com/locator](http://subzero-wolf.com/locator).



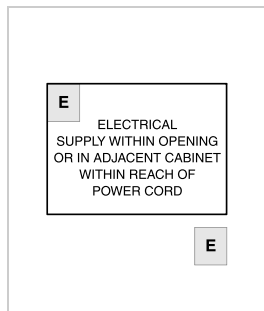
**PRODUCT SPECIFICATIONS**

Model	MDD24TE/S/TH
Dimensions	23 1/2"W x 17 7/8"H x 20"D
Capacity	1.6 cu. ft.
Door Clearance	14 3/16"
Weight	80 lbs
Electrical Supply	120 VAC, 60 Hz
Electrical Service	15 amp dedicated circuit
Power Cord Length	4 Feet
Receptacle	3-prong grounding-type

**DIMENSIONS**

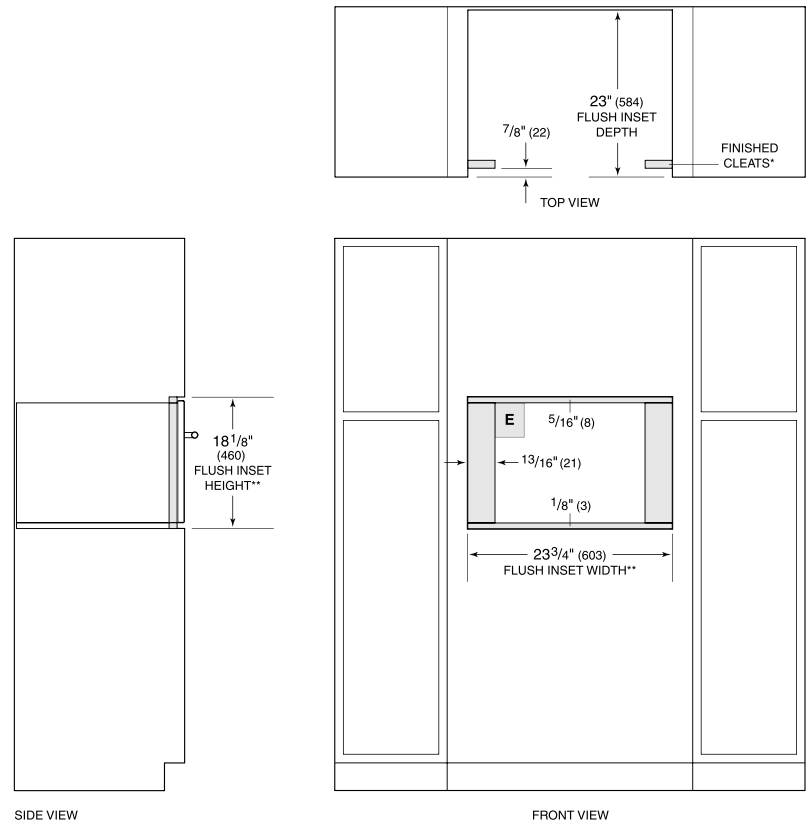


**ELECTRICAL**



**NOTE:** Dimensions in parenthesis are in millimeters unless otherwise specified

**FLUSH INSTALLATION**



SIDE VIEW

FRONT VIEW

\*Will be visible and should be finished to match cabinetry.  
 \*\*Dimension provides minimum reveals.