

MDD30CM/B/TH

FEATURES

Rigorously tested for decades of use

Exceptional support from our Customer Care team in Madison

Integrates into any kitchen

Matches M series ovens, coffee systems, convection steam oven

900 watts of power

Generous 1.6. cu. ft. capacity

Quick-start controls for popular items

Gourmet mode cooks automatically from preset recipes

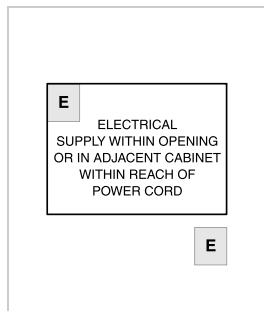
"Keep Warm" mode



PRODUCT SPECIFICATIONS

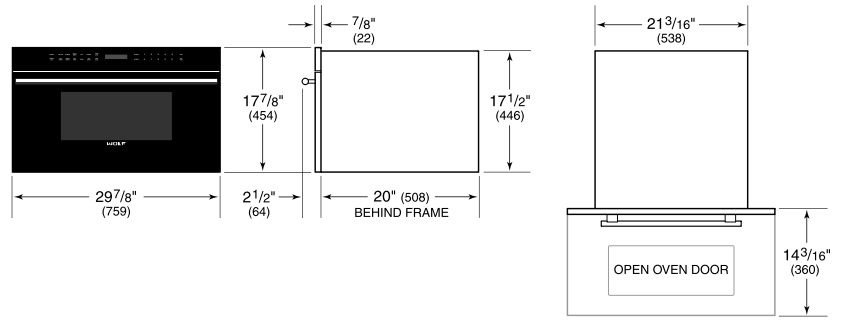
| | |
|--------------------|----------------------------|
| Model | MDD30CM/B/TH |
| Dimensions | 29 7/8"W x 17 7/8"H x 20"D |
| Capacity | 1.6 cu. ft. |
| Door Clearance | 14 3/16" |
| Weight | 80 lbs |
| Electrical Supply | 120 VAC, 60 Hz |
| Electrical Service | 15 amp dedicated circuit |
| Power Cord Length | 4 Feet |
| Receptacle | 3-prong grounding-type |

ELECTRICAL



NOTE: Dimensions in parenthesis are in millimeters unless otherwise specified

DIMENSIONS



STANDARD INSTALLATION

