

**MDD30PE/S/PH**

**FEATURES**

---

Rigorously tested for decades of use

---

Exceptional support from our Customer Care team in Madison

---

900 watts of power

---

Gourmet mode cooks automatically from preset recipes

---

Quick-start controls for popular items

---

"Keep Warm" mode

---

Integrates into any kitchen

---

Matches E series ovens, coffee systems, convection steam oven

---

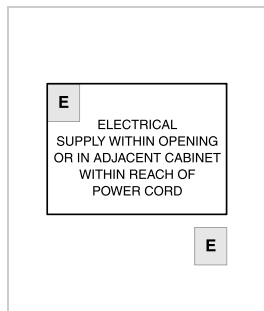
Generous 1.6. cu. ft. capacity



**PRODUCT SPECIFICATIONS**

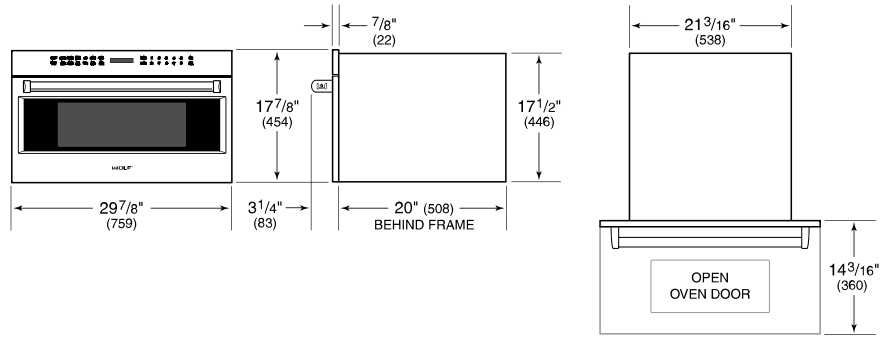
Model	MDD30PE/S/PH
Dimensions	29 7/8"W x 17 7/8"H x 20"D
Capacity	1.6 cu. ft.
Door Clearance	14 3/16"
Weight	80 lbs
Electrical Supply	120 VAC, 60 Hz
Electrical Service	15 amp dedicated circuit
Power Cord Length	4 Feet
Receptacle	3-prong grounding-type

**ELECTRICAL**

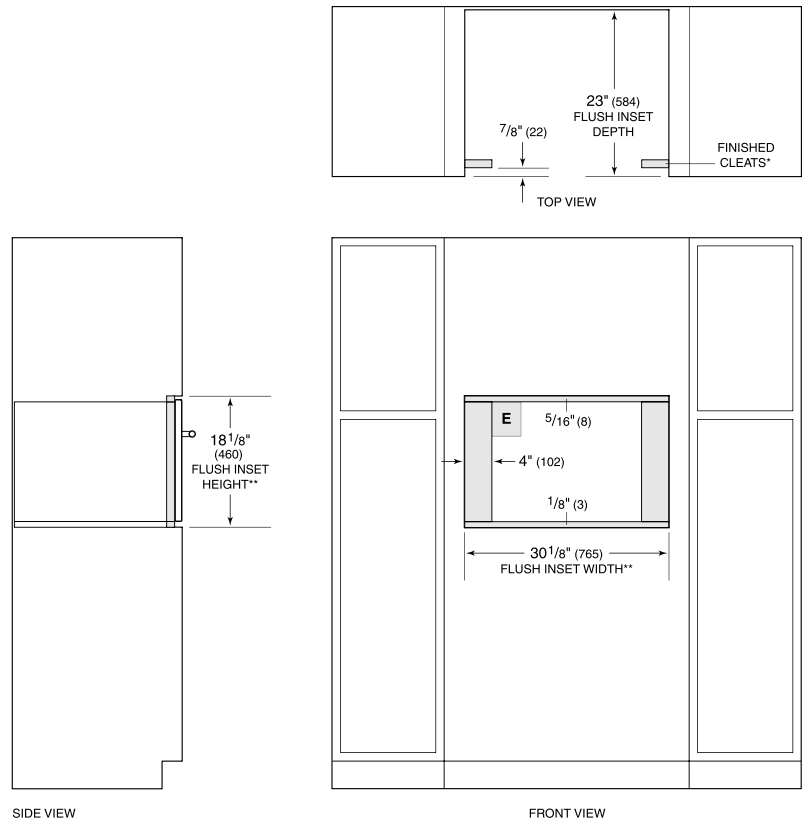


**NOTE:** Dimensions in parenthesis are in millimeters unless otherwise specified

**DIMENSIONS**



**FLUSH INSTALLATION**



\*Will be visible and should be finished to match cabinetry.  
 \*\*Dimension provides minimum reveals.