

MDD30TM/S/TH

FEATURES

Rigorously tested for decades of use

Exceptional support from our Customer Care team in Madison

900 watts of power

Gourmet mode cooks automatically from preset recipes

Quick-start controls for popular items

Generous 1.6. cu. ft. capacity

Integrates into any kitchen

Matches M series ovens, coffee systems, convection steam oven

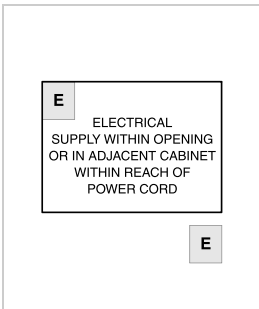
"Keep Warm" mode



PRODUCT SPECIFICATIONS

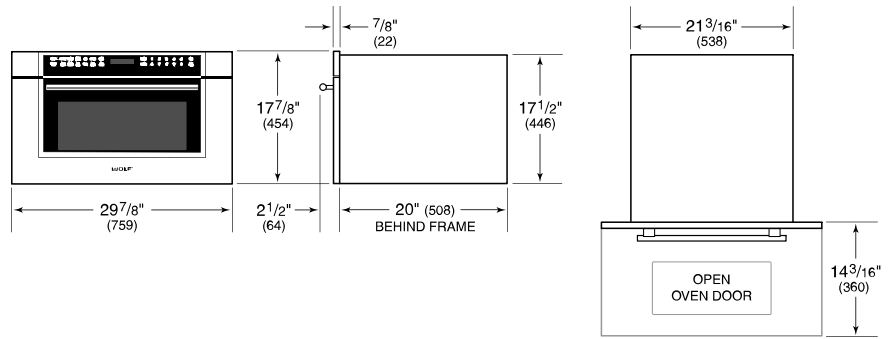
Model	MDD30TM/S/TH
Dimensions	29 7/8"W x 17 7/8"H x 20"D
Capacity	1.6 cu. ft.
Door Clearance	14 3/16"
Weight	80 lbs
Electrical Supply	120 VAC, 60 Hz
Electrical Service	15 amp dedicated circuit
Power Cord Length	4 Feet
Receptacle	3-prong grounding-type

ELECTRICAL

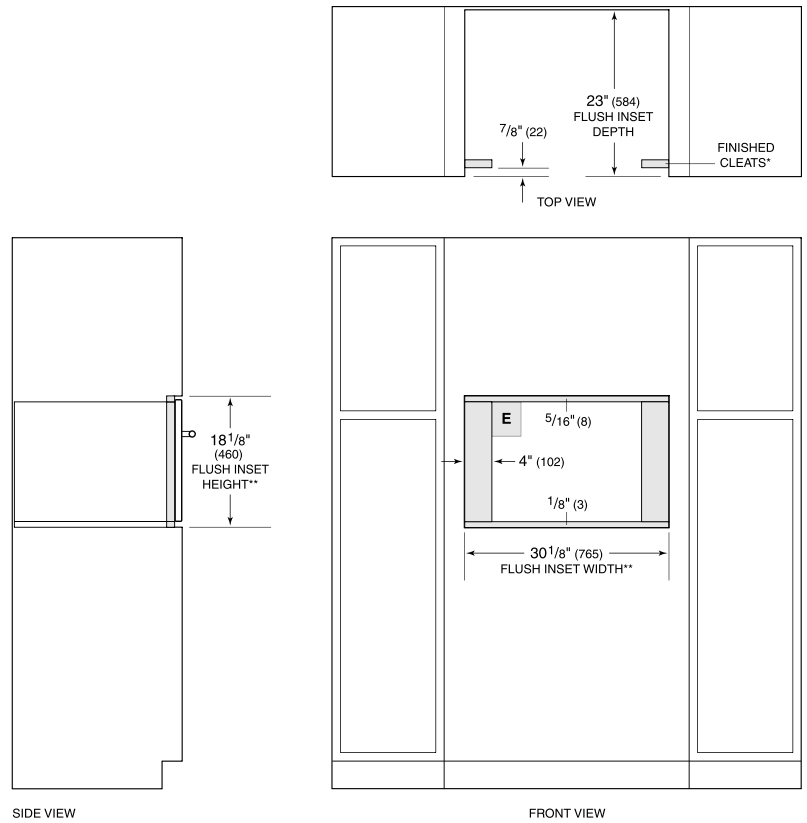


NOTE: Dimensions in parenthesis are in millimeters unless otherwise specified

DIMENSIONS



FLUSH INSTALLATION



*Will be visible and should be finished to match cabinetry.
 **Dimension provides minimum reveals.