

BM 13**FEATURES**

Build a side burner into your outdoor kitchen so you can prepare dishes outside without having to run inside

Offers 24,000 Btu heat—ideal for searing meats on high or scrambling eggs on low

Constructed with heavy-duty stainless steel

Designed with a stainless-steel cover and burner grates

Grill any time of day with LED-lit signature Wolf red control knobs

Skip the need for a pilot light with electric hot surface ignitors

ACCESSORIES

Black Knob

Accessories available through an authorized dealer.

For local dealer information, visit subzero-wolf.com/locator.

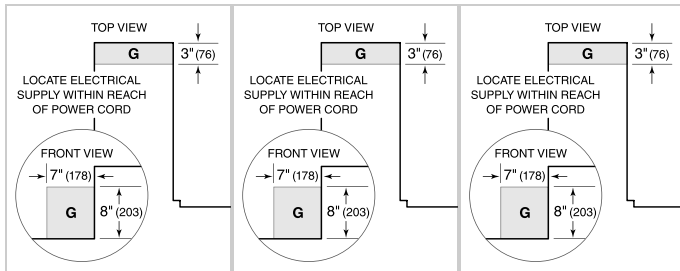
**KNOB OPTIONS****GRILL SPECIFICATIONS**

- 1 burner grate

PRODUCT SPECIFICATIONS

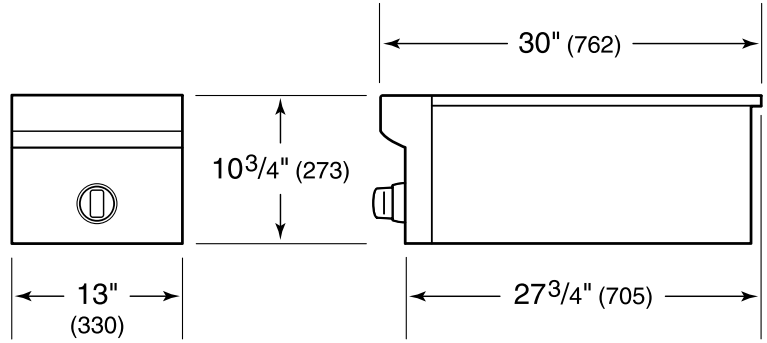
Model	BM13
Dimensions	13"W x 10 3/4"H x 30"D
Weight	67 lbs
Electrical Supply	120 VAC, 60 Hz
Electrical Service	15 amp dedicated circuit
Gas Supply	3/4" ID line
Gas Inlet	1/2" NPT female
Power Cord Length	5 Feet
Receptacle	3-prong grounding-type

ELECTRICAL PLUMBING GAS

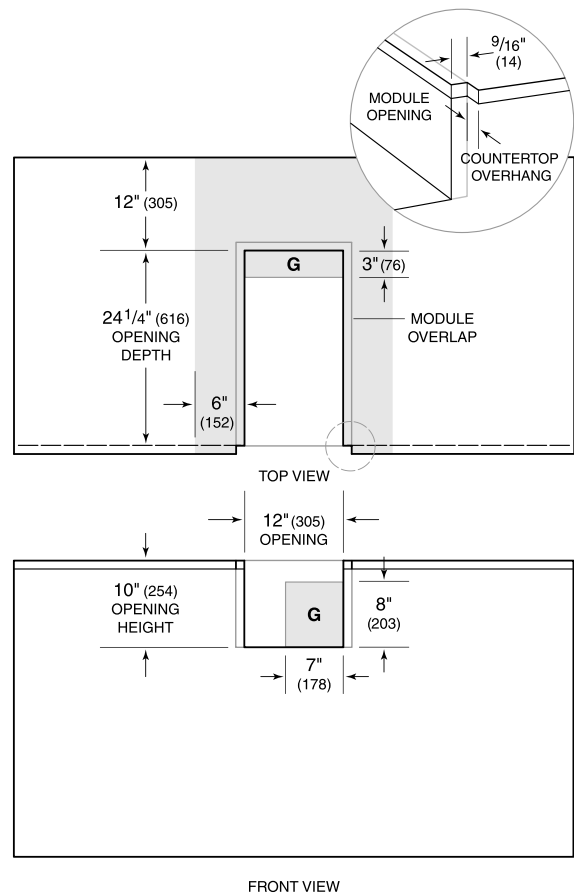


NOTE: Dimensions in parenthesis are in millimeters unless otherwise specified

DIMENSIONS



COMBUSTIBLE INSTALLATION



NOTE: Shaded area above countertop indicates minimum clearance to combustibles surfaces, combustibles materials cannot be located within this area. An insulating liner is not required.