

## OG 54

## FEATURES

- Six individually contained grill burners for versatile cooking
- Utilizes both direct and radiant heat for more thorough grilling
- Three-position warming rack for the exact temperature you want
- Two-position rotisserie handles foods big and small
- Infrared sear zone seals in juices and flavors
- Available built-in only
- Rigorously tested in our U.S. manufacturing facilities for decades of use
- Exceptional 24/7 support from our Customer Care team in Madison
- Halogen lights for night-time grilling
- Double-wall hood front holds in heat
- Hood assist system makes opening and closing easy
- Electric hot surface ignition for reliable start ups
- Stainless steel burner grates

## ACCESSORIES

- 30" Access Doors
- 36" Access Doors
- 42" Access Doors
- 54" Access Doors
- 54" Grill Liner
- Access Door - Right Hinge
- Black Knobs
- Built-In Cover
- Combo Door and Drawer
- Double Storage Drawer
- Griddle Plate
- Paper Towel Drawer
- Rotisserie Conversion
- Single Drawer Storage
- Triple Storage Drawer
- Stainless steel doors and drawers for built-in enclosure

Accessories available through an authorized dealer.  
For local dealer information, visit [subzero-wolf.com/locator](http://subzero-wolf.com/locator).



## KNOB OPTIONS



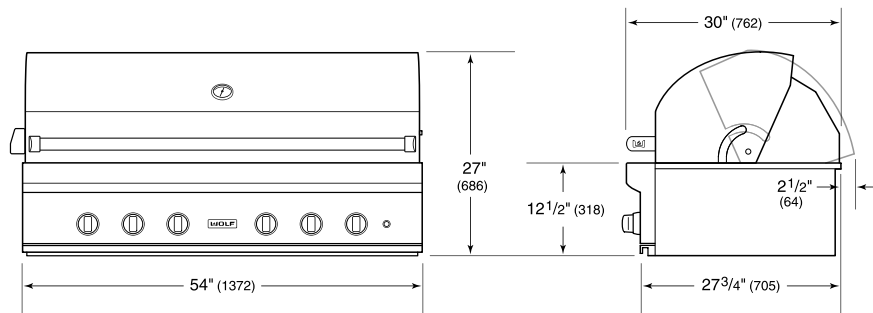
## GRILL SPECIFICATIONS

- 3 - 25,500 Btu Burners
- 1 - 25,500 Sear Burner
- 2 - 14,000 Btu Rotisserie Burners

**PRODUCT SPECIFICATIONS**

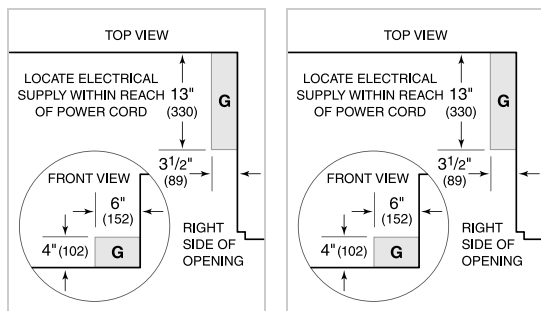
Model	OG54
Dimensions	54"W x 27"H x 30"D
Weight	350 lbs
Electrical Supply	120 VAC, 60 Hz
Electrical Service	15 amp dedicated circuit
Gas Supply	3/4" ID line
Gas Inlet	1/2" NPT female
Power Cord Length	5 Feet
Receptacle	3-prong grounding-type

**DIMENSIONS**



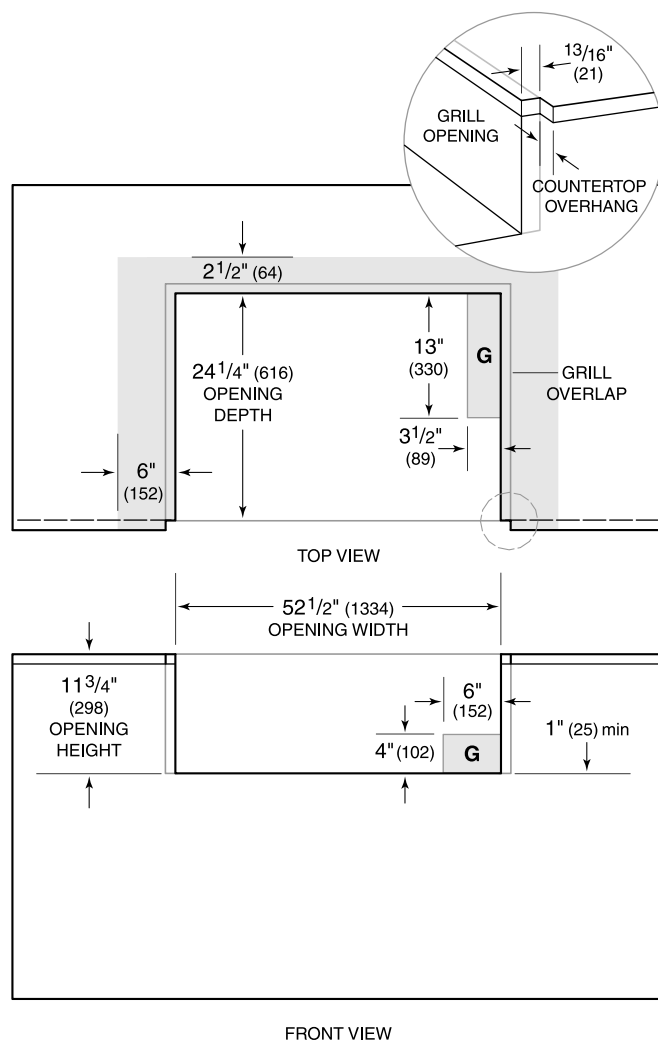
**ELECTRICAL**

**GAS**



NOTE: Dimensions in parenthesis are in millimeters unless otherwise specified

**STANDARD INSTALLATION**



NOTE: Shaded area above countertop indicates minimum clearance to combustible surfaces, combustible materials cannot be located within this area.