

SRT364G



FEATURES

- _____ Rigorously tested for decades of use
- _____ Exceptional support from our Customer Care team in Madison
- _____ Signature red infinite control knobs
- _____ Dual-stacked burners go from 20,000 Btu down to a mere breath of flame
- _____ Heavy-gauge stainless steel
- _____ Spark ignition system re-ignites if flame goes out
- _____ Continuous cast-iron grates for easy movement of pots and pans
- _____ 4 dual-stacked burners plus 15,000 Btu infrared griddle

ACCESSORIES

- _____ 2-Burner Wok Grate
- _____ 809710-11" Cutting Board
- _____ Filler Trim
- _____ Griddle Ceaning Pads
- _____ Griddle Cleaning Kit
- _____ Griddle Cleaning Solution
- _____ S-Grates
- _____ Stainless steel, brass or chrome bezels
- _____ High altitude conversion kit
- _____ 5" and 10" stainless steel risers, and 20" riser with shelf
- _____ Signature red, black or stainless steel control knobs

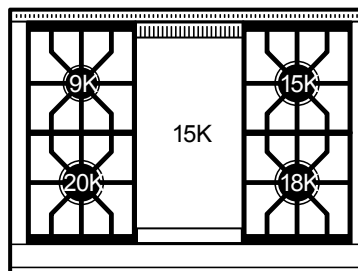
Accessories available through an authorized dealer.
For local dealer information, visit subzero-wolf.com/locator.



KNOB OPTIONS



TOP CONFIGURATION



RANGETOP SPECIFICATIONS

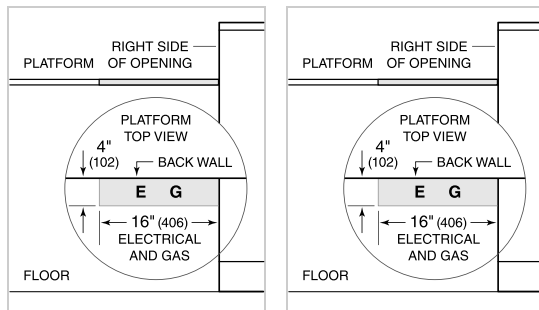
- 1 - 9,200 Btu Burner
- 1 - 15,000 Btu Burner
- 1 - 18,000 Btu Burner
- 1 - 20,000 Btu Burner
- 1 - 15,000 Btu (13,000 Btu LP) Griddle

PRODUCT SPECIFICATIONS

Model	SRT364G
Dimensions	35 7/8"W x 8 1/2"H x 28 1/2"D
Weight	220 lbs
Electrical Supply	110/120 VAC, 60 Hz
Electrical Service	15 amp dedicated circuit
Gas Supply	3/4" ID line
Gas Inlet	1/2" NPT female
Receptacle	3-prong grounding-type

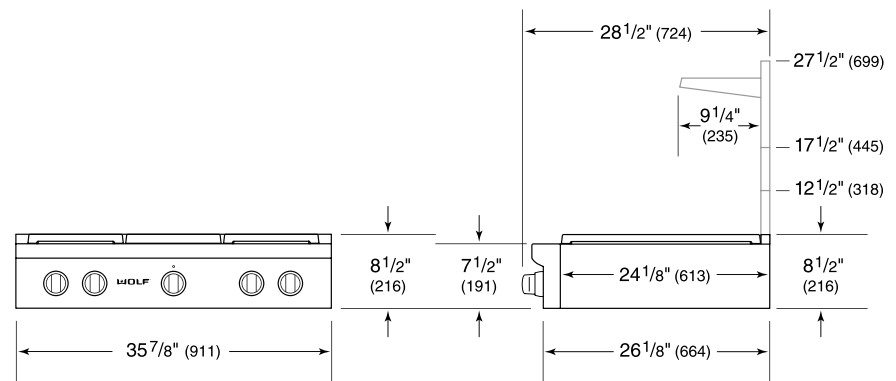
ELECTRICAL

GAS

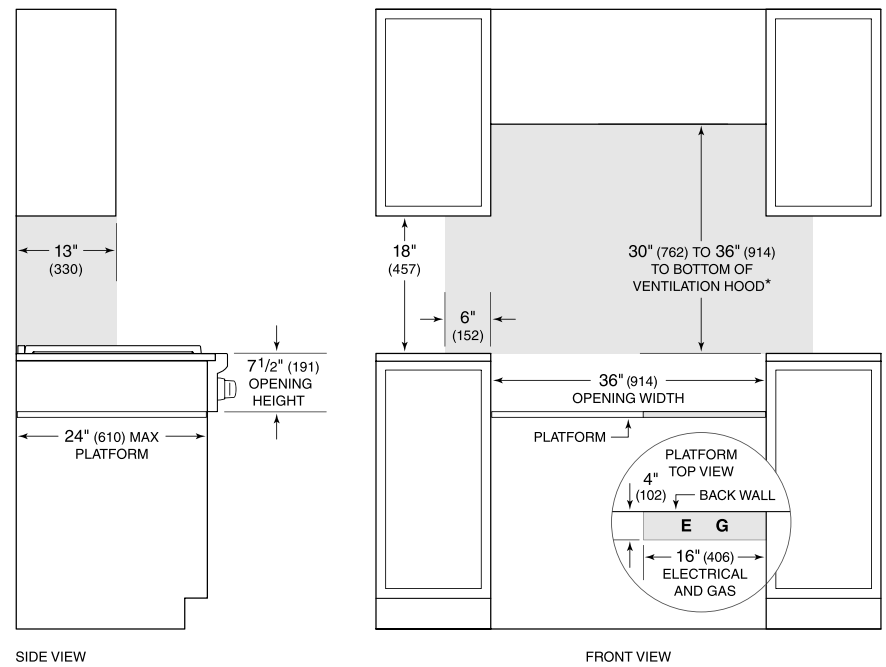


NOTE: Dimensions in parenthesis are in millimeters unless otherwise specified

DIMENSIONS



STANDARD INSTALLATION



*Without ventilation hood, 36" (914) minimum clearance countertop to combustible materials, 44" (1118) for charbroiler.
 NOTE: Shaded area above countertop indicates minimum clearance to combustible surfaces, combustible materials cannot be located within this area.
 Electrical and gas supply located through bottom of platform.
 For island installation, 12" (305) minimum clearance back of range to combustible rear wall above countertop.