

SRT484CG



FEATURES

- Rigorously tested for decades of use
- Exceptional support from our Customer Care team in Madison
- Signature red infinite control knobs
- Dual-stacked burners go from 20,000 Btu down to a mere breath of flame
- Heavy-gauge stainless steel
- Spark ignition system re-ignites if flame goes out
- Continuous cast-iron grates for easy movement of pots and pans
- 4 burners plus 16,000 Btu charbroiler and 15,000 Btu griddle

ACCESSORIES

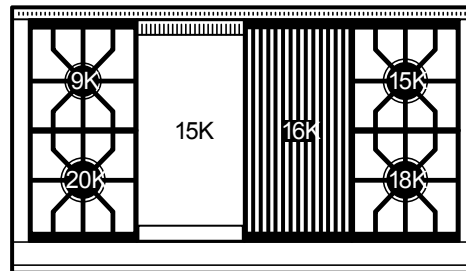
- 2-Burner Wok Grate
- 809710-11" Cutting Board
- Filler Trim
- Griddle Cleaning Pads
- Griddle Cleaning Kit
- Griddle Cleaning Solution
- S-Grates
- Stainless steel, brass or chrome bezels
- High altitude conversion kit
- 5" and 10" stainless steel risers, and 20" riser with shelf
- Signature red, black or stainless steel control knobs
- Accessories available through an authorized dealer.
For local dealer information, visit subzero-wolf.com/locator.



KNOB OPTIONS



TOP CONFIGURATION



RANGETOP SPECIFICATIONS

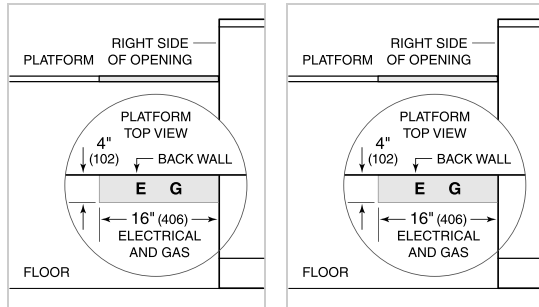
- 1 - 9,200 Btu Burner
- 1 - 15,000 Btu Burner
- 1 - 18,000 Btu Burner
- 1 - 20,000 Btu Burner
- 1 - 15,000 Btu (13,000 Btu LP) Griddle
- 1 - 16,000 Btu Charbroiler

PRODUCT SPECIFICATIONS

Model	SRT484CG
Dimensions	47 7/8"W x 8 1/2"H x 28 1/2"D
Weight	280 lbs
Electrical Supply	110/120 VAC, 60 Hz
Electrical Service	15 amp dedicated circuit
Gas Supply	3/4" ID line
Gas Inlet	1/2" NPT female
Receptacle	3-prong grounding-type

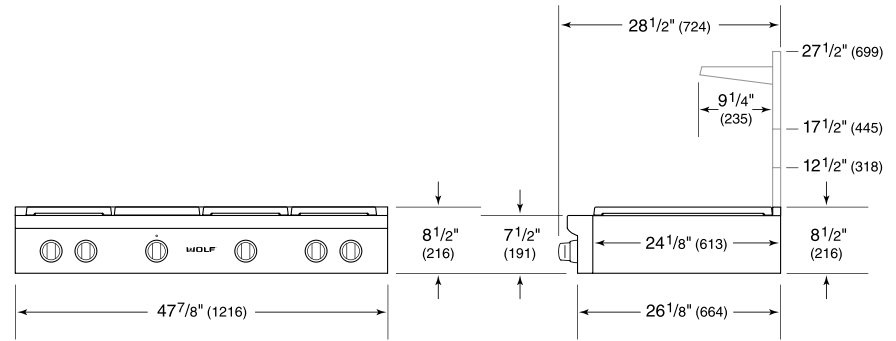
ELECTRICAL

GAS

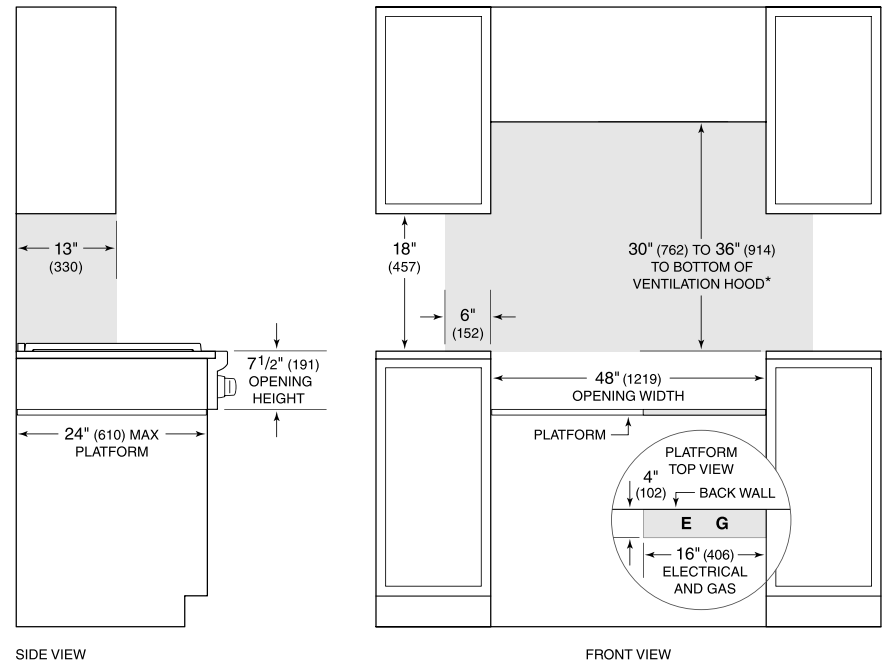


NOTE: Dimensions in parenthesis are in millimeters unless otherwise specified

DIMENSIONS



STANDARD INSTALLATION



**Without ventilation hood, 36" (914) minimum clearance countertop to combustible materials, 44" (1118) for charbroiler.
 NOTE: Shaded area above countertop indicates minimum clearance to combustible surfaces, combustible materials cannot be located within this area.
 Electrical and gas supply located through bottom of platform.
 For island installation, 12" (305) minimum clearance back of range to combustible rear wall above countertop.*