

**VI45G****FEATURES**

Rigorously tested for decades of use

Exceptional support from our Customer Care team in Madison

Powerful blower options

Four LED lights with two brightness settings

Front-mounted electronic controls

Telescoping chimney reaches standard ceiling heights

Dishwasher-safe filters

Heavy-duty stainless steel

**ACCESSORIES**

300 CFM Internal Blower

600 CFM Inline Blower

600 CFM Internal Blower

600 CFM Remote Blower

Flue Extension

Recirculating Filter

Recirculating Kit

Remote Control

Accessories available through an authorized dealer.

For local dealer information, visit [subzero-wolf.com/locator](https://www.subzero-wolf.com/locator).

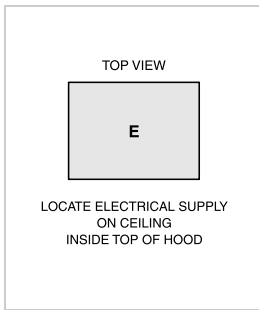
**BLOWER OPTIONS**

- 300 CFM Internal
- 600 CFM Internal
- 600 CFM Inline
- 600 CFM Remote

**PRODUCT SPECIFICATIONS**

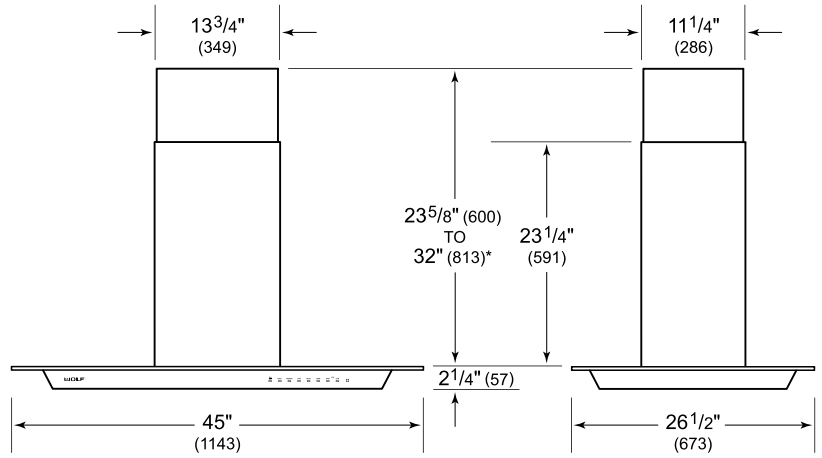
Model	VI45G
Dimensions	45"W x 2 1/4"H x 26 1/2"D
Weight	92 lbs
Electrical Supply	110/120 VAC, 60 Hz
Electrical Service	15 amp dedicated circuit
Discharge Location	Vertical
Discharge Dimensions	6" Round
Bottom of Hood to Countertop	24" to 36"
Receptacle	3-prong grounding-type

**ELECTRICAL**



**NOTE:** Dimensions in parenthesis are in millimeters unless otherwise specified

**DIMENSIONS**



\*51<sup>1</sup>/<sub>8</sub>" (1299) to 59<sup>1</sup>/<sub>2</sub>" (1511) with accessory flue extension.