

DD30

FEATURES

- _____ Rigorously tested for decades of use
- _____ Exceptional support from our Customer Care team in Madison
- _____ Rises 14 inches to whisk away smoke and odors
- _____ Lowers when not in use
- _____ Heavy-gauge stainless steel
- _____ Remote control operation from up to 9' away
- _____ Blower required (internal, in-line or remote blowers available)
- _____ Delay-off feature
- _____ Delay-off feature shuts off blower after approximately 5 minutes
- _____ Reversible motor box can be installed on either side of the downdraft
- _____ Adjustable discharge lets you negotiate around ducting

ACCESSORIES

- _____ 10" Round Inline Damper
- _____ 1200 CFM Remote Blower
- _____ 600 CFM Internal Blower
- _____ 8" Round Inline Damper
- _____ Contemporary Cooktop/Downdraft Trim
- _____ Make-Up Air Damper
- _____ Recirculating Filter
- _____ Recirculating Kit
- _____ SRT Downdraft Trim

Accessories available through an authorized dealer.
For local dealer information, visit subzero-wolf.com/locator.



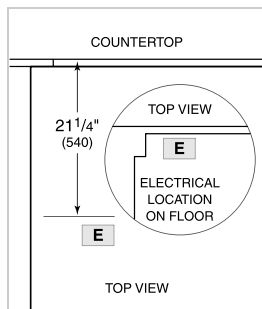
BLOWER OPTIONS

- 600 CFM Internal
- 600 CFM Inline
- 600 CFM Remote
- 1200 CFM Remote

PRODUCT SPECIFICATIONS

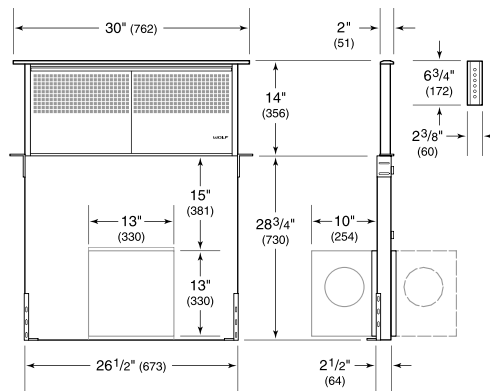
Model	DD30
Dimensions	30"W x 14"H x 2"D
Weight	75 lbs
Electrical Supply	110/120 VAC, 60 Hz
Electrical Service	15 amp dedicated circuit
Discharge Location	Vertical or Horizontal
Discharge Dimensions	6" round internal or 10" round inline or remote
Receptacle	3-prong grounding-type

ELECTRICAL



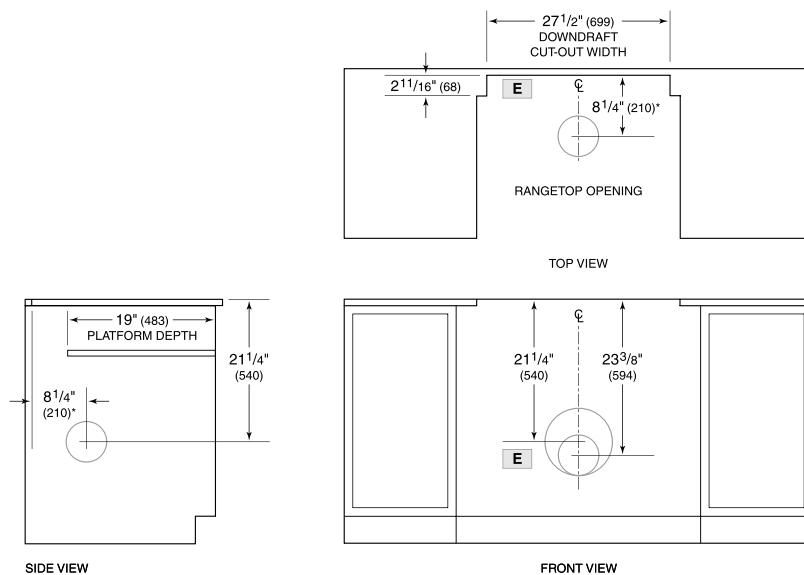
NOTE: Dimensions in parenthesis are in millimeters unless otherwise specified

DIMENSIONS



NOTE: Shown with front mounted internal blower with 6" (152) round discharge, dashed line represents rear mount.

STANDARD INSTALLATION



*6" (152) back from countertop cut-out when internal blower is rear mounted.

NOTE: Internal blower 6" (152) round, side, rear or bottom discharge. In-line and remote blower 10" (254) round, rear discharge. Centerline indicates center of downdraft cut-out.