

## DD36

### FEATURES

- \_\_\_\_\_ Rigorously tested for decades of use
- \_\_\_\_\_ Exceptional support from our Customer Care team in Madison
- \_\_\_\_\_ Rises 14 inches to whisk away smoke and odors
- \_\_\_\_\_ Lowers when not in use
- \_\_\_\_\_ Heavy-gauge stainless steel
- \_\_\_\_\_ Remote control operation from up to 9' away
- \_\_\_\_\_ Blower required (internal, in-line or remote blowers available)
- \_\_\_\_\_ Delay-off feature
- \_\_\_\_\_ Delay-off feature shuts off blower after approximately 5 minutes
- \_\_\_\_\_ Reversible motor box can be installed on either side of the downdraft
- \_\_\_\_\_ Adjustable discharge lets you negotiate around ducting

### ACCESSORIES

- \_\_\_\_\_ 10" Round Inline Damper
- \_\_\_\_\_ 1200 CFM Remote Blower
- \_\_\_\_\_ 600 CFM Internal Blower
- \_\_\_\_\_ 8" Round Inline Damper
- \_\_\_\_\_ Contemporary Cooktop/Downdraft Trim
- \_\_\_\_\_ Make-Up Air Damper
- \_\_\_\_\_ Recirculating Filter
- \_\_\_\_\_ Recirculating Kit
- \_\_\_\_\_ SRT Downdraft Trim

Accessories available through an authorized dealer.  
For local dealer information, visit [subzero-wolf.com/locator](http://subzero-wolf.com/locator).



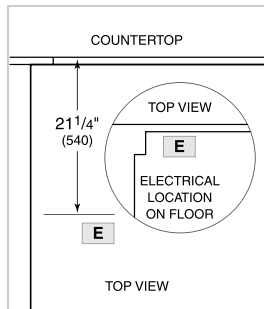
### BLOWER OPTIONS

- 600 CFM Internal
- 600 CFM Inline
- 600 CFM Remote
- 1200 CFM Remote

**PRODUCT SPECIFICATIONS**

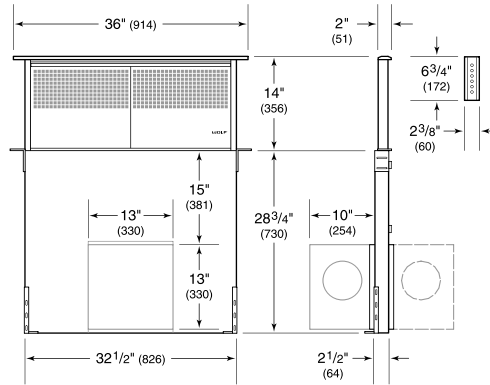
Model	DD36
Dimensions	36"W x 14"H x 2"D
Weight	80 lbs
Electrical Supply	110/120 VAC, 60 Hz
Electrical Service	15 amp dedicated circuit
Discharge Location	Vertical or Horizontal
Discharge Dimensions	6" round internal or 10" round inline or remote
Receptacle	3-prong grounding-type

**ELECTRICAL**



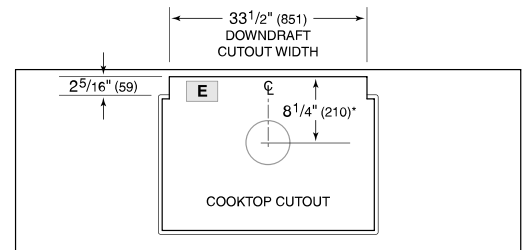
NOTE: Dimensions in parenthesis are in millimeters unless otherwise specified

**DIMENSIONS**

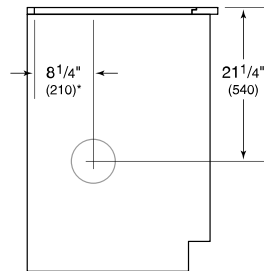


NOTE: Shown with front mounted internal blower with 6" (152) round discharge, dashed line represents rear mount.

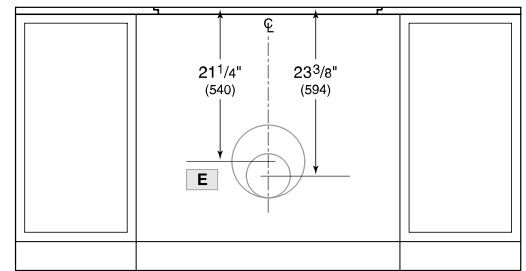
**FLUSH INSTALLATION**



TOP VIEW



SIDE VIEW



FRONT VIEW

\*6" (152) back from countertop cutout when internal blower is rear mounted.

NOTE: Internal blower 6" (152) round, side, rear, or bottom discharge. In-line and remote blower 10" (254) round, rear discharge. Centerline indicates center of downdraft cutout.