

CL4850UFDID/S



CARACTÉRISTIQUES

Éclairage intérieur « doux et brillant »

Split Climate™ intelligent cooling system revolutionizes Sub-Zero's already-superior preservation capabilities, keeping food even fresher for longer

ClearSight™ LED lighting system fully illuminates the interior and reduces shadows

Sleek stainless accents trim the interior, matching the sophistication of the exterior

Touch control panel is conveniently located for easy access at the tap of a finger

Night Mode optimizes the interior lighting based on the detected ambient light, reducing the brightness by 90% in dim environments

Lift the base of the flip-up dairy compartments to store taller items on the shelf below

Delivers fresh, filtered water and ice through an internal dispenser located discreetly within the refrigerator

Activate Max Ice Mode to temporarily increase ice production

Position adjustable door bins at various heights to accommodate assorted items

The base of the expandable freezer basket conveniently slides out of the way, offering customizable storage for taller items below

Wi-Fi enabled features provide remote access from your mobile device

Stainless-steel exterior and tubular or pro handles to match other Sub-Zero, Wolf, and Cove products

Sub-Zero offers an industry-leading full two-year warranty on appliances, along with a full five-year sealed system warranty and a limited twelve-year sealed system warranty

ACCESSORIES

Air Purification Cartridge

Stainless Steel Pro Louvered Grille - 84"

Stainless Steel Side Panel

White Side Panel

Plaques de protection en acier inoxydable

Grilles pour hauteur finie de 83 ou 88" (84" est standard)

Trousse de montage pour panneau latéral

Grilles pour hauteur finie de 83 ou 88" (84" est standard)

Des accessoires sont offerts par les dépositaires autorisés. Pour obtenir des renseignements sur votre dépositaire local, visitez subzero-wolf.com/locator.



HANDLE OPTIONS

PRO



TUBULAR



DÉTAILS SUR LE PRODUIT

RÉFRIGÉRATEUR

- 7 glass refrigerator shelves (6 adjustable; 1 stationary)
- 4 crisper drawers with removable dividers
- 6 refrigerator door bins (4 adjustable; 2 stationary)
- 2 flip-up dairy compartments
- Air purification system
- Internal water dispenser
- LED refrigerator and freezer lights

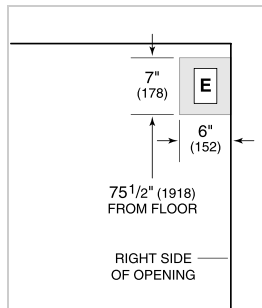
CONGÉLATEUR

- Full-extension drawer with expandable freezer basket
- Water filtration system
- Automatic ice maker with removable ice container
- Automatic ice maker with removable ice container

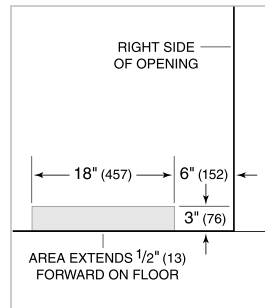
SPECIFICATIONS DU PRODUIT

Modèle	CL4850UFDID/S
Dimensions	48"W x 84"H x 24"D
Poids	707 lbs
Capacité du réfrigérateur	21.4 cu. ft.
Capacité du congélateur	7.5 cu. ft.
Alimentation électrique	115 volts CA, 60 Hz
Service électrique	Circuit dédié de 15 ampères
Prise	3-prong grounding-type

ÉLECTRIQUE

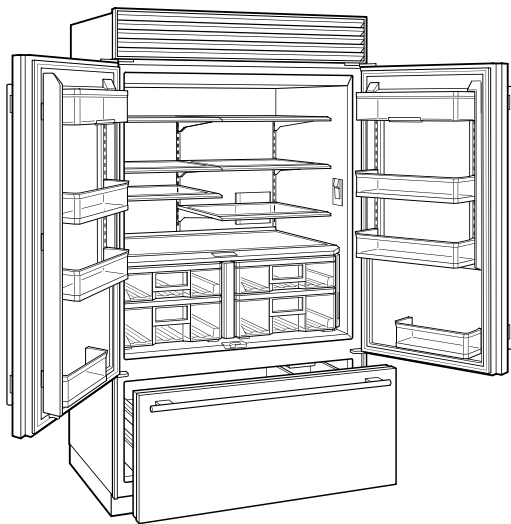


PLOMBERIE



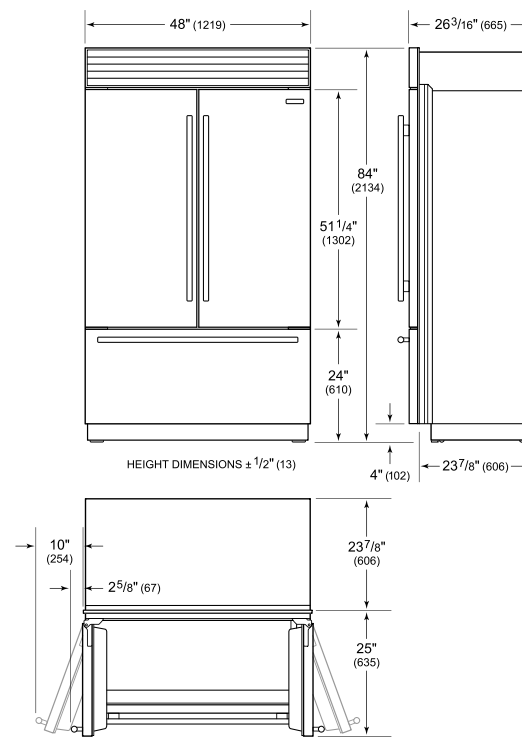
NOTE: Dimensions in parenthesis are in millimeters unless otherwise specified

VUE DE L'INTÉRIEUR

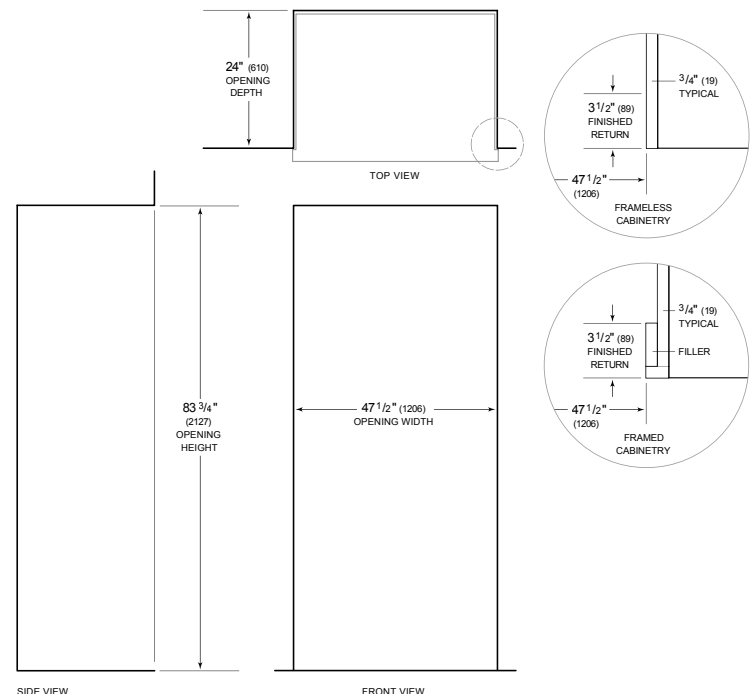


Glissez la souris sur l'image pour agrandir. Cliquez sur l'image pour une vue élargie. Les images intérieures ne sont offertes qu'à titre de référence.

DIMENSIONS



STANDARD INSTALLATION



NOTE: 3 1/2" (89) finished returns will be visible and should be finished to match cabinetry. Shaded line represents profile of unit.