

DEU15501

**CARACTÉRISTIQUES**

For extra peace of mind, if the unit senses a water leak, it will shut down to prevent further leakage and notify you through an alarm and the Owner's App.

MaxQuiet™ technology ensures near-silent operation

Intuitive cleaning system requires less user interaction

A subtle floor light shows the progress of the cleaning process

Produces up to 65 lbs. of clear cube-shaped ice (approximately 1 1/4" across) per day

Rounded ice scoop is specially designed to pick up as many cubes as possible

Panel-ready, with integrated hinges, to blend seamlessly into surrounding cabinetry

The intuitive controls match other Sub-Zero touchscreens and are located on top of the door for easy access and viewing

Use the Owner's App on your mobile device to start or stop ice making, remotely monitor the unit, adjust settings, and receive notifications on cleaning status

Sub-Zero's legendary quality means the ice maker will provide years of regular use even in harsh outdoor conditions

**ACCESSOIRES**

Panneaux de porte massifs en acier inoxydable

Plaques de protection double en acier inoxydable

Outdoor Stainless Steel Solid Door Panels

Des accessoires sont offerts par les dépositaires agréés.  
Pour obtenir des renseignements sur votre dépositaire local, rendez-vous à l'adresse [subzero-wolf.com/locator](http://subzero-wolf.com/locator).

**HANDLE ACCESSORIES**

PRO



TUBULAR

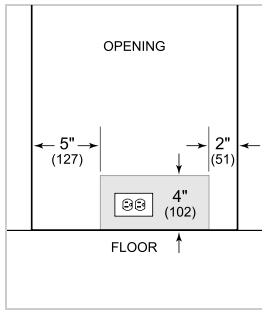
**DÉTAILS SUR LE PRODUIT****CONGÉLATEUR**

- Éclairage à DEL
- Cuillère à crème glacée intégrée

**SPÉCIFICATIONS DU PRODUIT**

Modèle	DEU1550I
Dimensions	15"W x 34 1/2"H x 23 1/8"D
Alimentation électrique	115 VAC, 60 Hz
Service électrique	Circuit dédié 15 A
Fournitures de plomberie	1/4" OD copper, braided stainless steel or PEX tubing
Pression de plomberie	20–80 psi
Prise	3-prong grounding-type

**ÉLECTRIQUE**



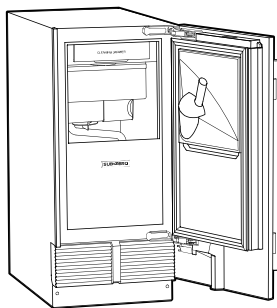
**NOTE:** The electrical outlet must be positioned with the grounding prong to the right of the thinner blades.

**PANEL SPECIFICATIONS** For complete panels specifications including width/height, weight requirements and thickness requirements visit [subzero-wolf.com/reveal](http://subzero-wolf.com/reveal).

**NOTE:** Dimensions in parenthesis are in millimeters unless otherwise specified

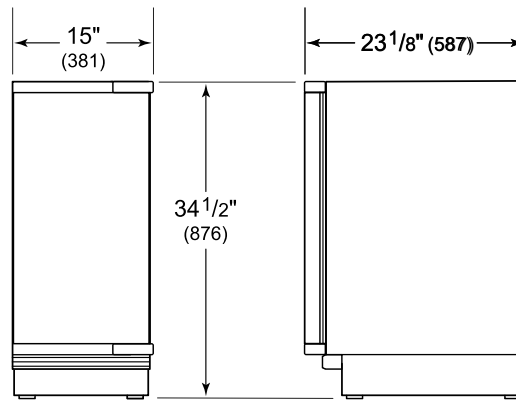
**ICE MAKER DRAIN** Ice maker models can be ordered with or without a drain pump. Models without a pump will drain water by gravity. A drain must be provided for all models.

**VUE DE L'INTÉRIEUR**

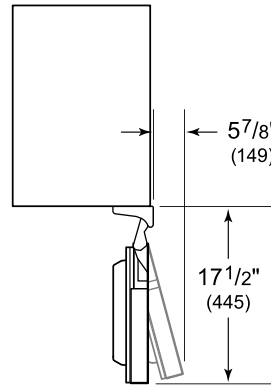


Veuillez noter que cette illustration est uniquement conçue comme référence pour l'intérieur et peut ne pas représenter l'extérieur du modèle spécifié.

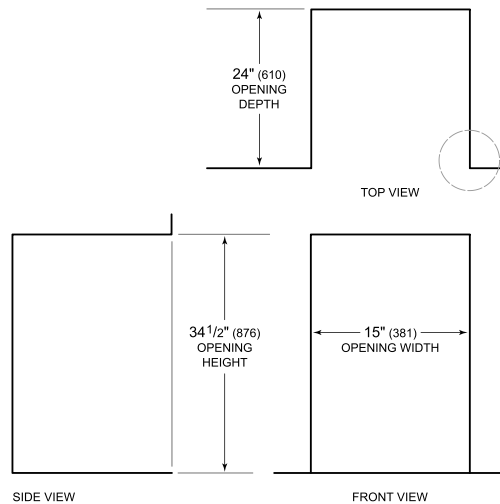
**DIMENSIONS**



HEIGHT DIMENSIONS ± 1/2" (13)



**STANDARD INSTALLATION**



**NOTE:** 3 1/2" (89) finished returns will be visible and should be finished to match cabinetry.

